

# Eclipse BoostPak

## Packaged Gas Booster Systems

Series LS

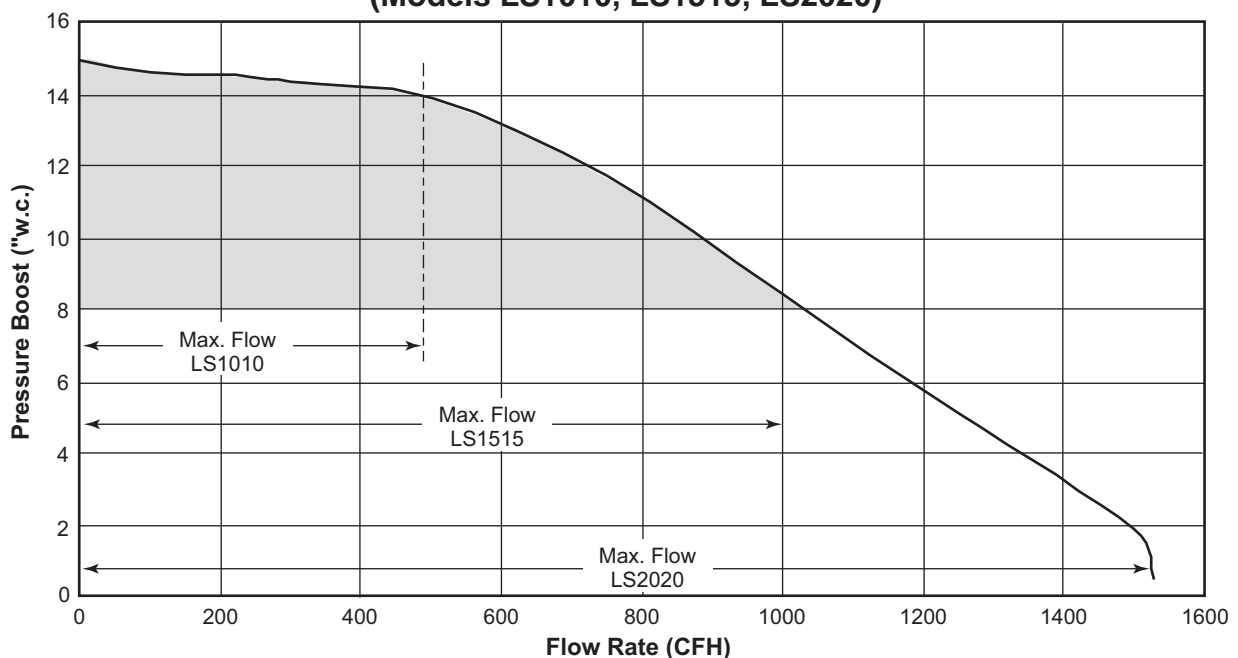
Version 3

### Low Flow Simplex

Parameter	Specification		
Low Flow Model Number	LS1010	LS1515	LS2020
Assembly Number	10024840	10024841	10024842
Outlet NPT	1	1.5	2
Inlet NPT	1	1.5	2
Minimum Flow (cfh natural gas) <sup>a</sup>	20	20	20
Maximum Flow (cfh natural gas) <sup>a</sup>	500	1000	1500
Pressure Boost ("w.c.) <sup>a</sup>	b	b	b
Turndown	25:1	50:1	75:1
Primary Voltage	c	c	c
Motor Horsepower	1/4	1/4	1/4
Approximate Weight (lbs)	218	218	218

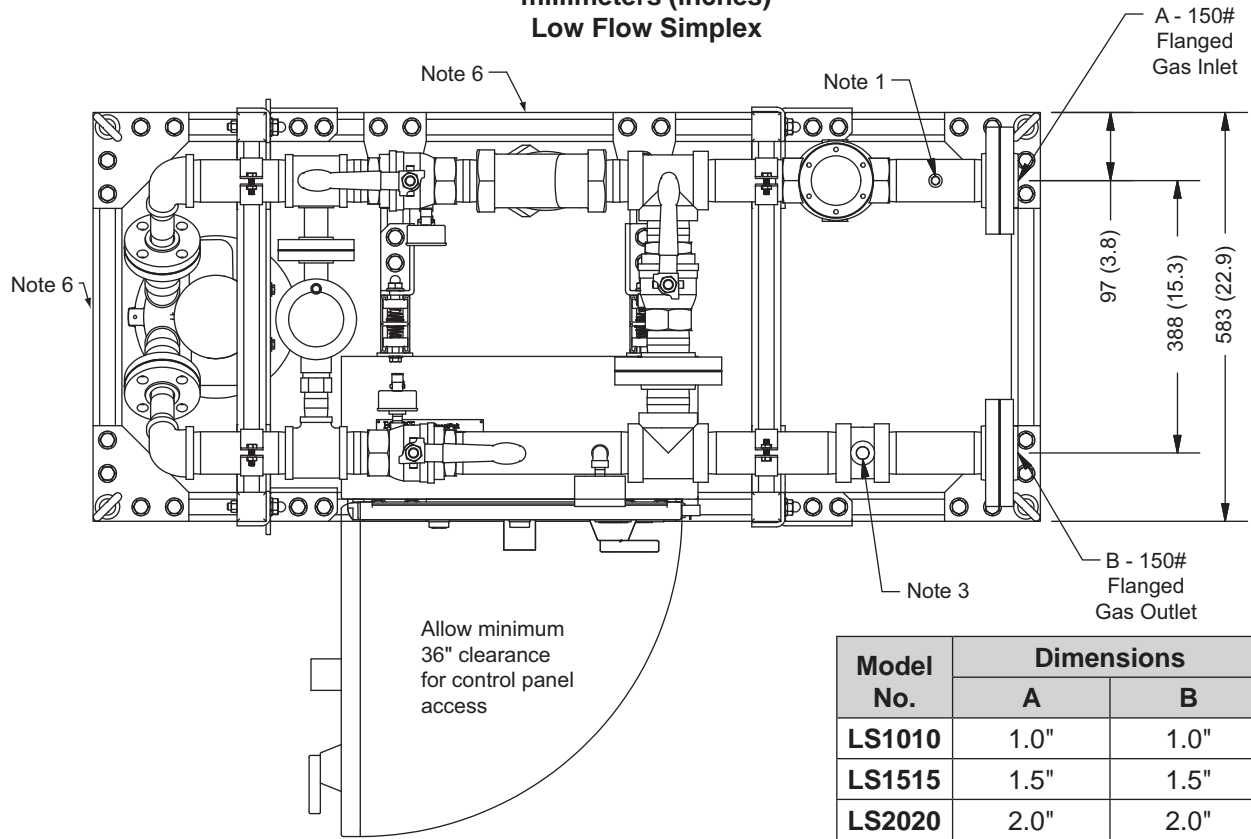
- Notes: **a** Ratings are nominal, at standard conditions and depend on customer interface piping.  
**b** Refer to the chart below.  
**c** 115VAC, 1PH, 60Hz. NEMA 4 rating; NEMA 7 rating option available (footprint increases with this option).

**Pressure Boost vs. Flow**  
**(Models LS1010, LS1515, LS2020)**

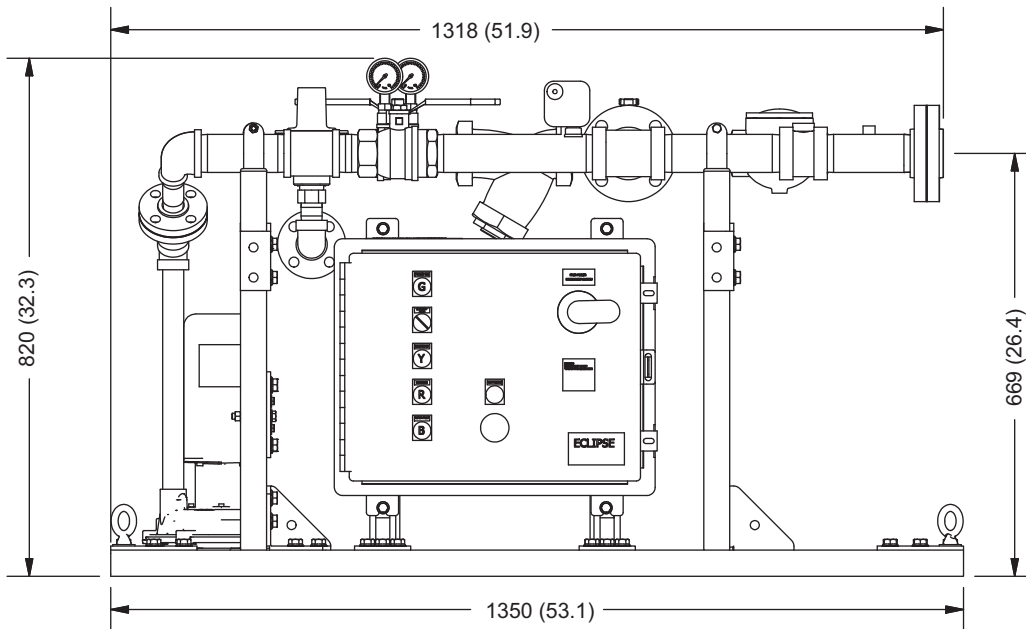


Note: Operation in shaded area requires optional high range spring, p.n. 10029674, in the relief regulator.

**Dimensions  
millimeters (inches)  
Low Flow Simplex**



Model No.	Dimensions	
	A	B
LS1010	1.0"	1.0"
LS1515	1.5"	1.5"
LS2020	2.0"	2.0"



*Note 1* Pressure Switch Kit location when factory mounted.

*Note 2* When Pressure Switch Kit is supplied loose by Eclipse, it is to be installed by customer in accordance with local codes.

*Note 3* Flow sensor location when this option is ordered.

*Note 4* Customer is to secure Boostpak to foundation through unistrut base (customer drilled holes).

*Note 5* The dimensions shown are nominal. Variations of 2% may occur due to thread engagement tolerances.

*Note 6* Ensure proper clearances for motor removal and y-strainer inspection.