

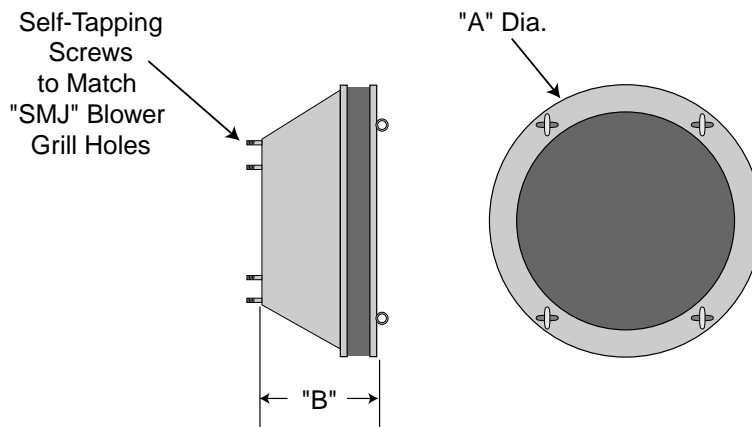
Air Filters For Eclipse Blowers

Series "SMJ"



- Filters dust and dirt from combustion air.
- Keeps blower wheels free of dirt for greatest efficiency and capacity; reduces blower, mixer, and burner maintenance.
- Mounts in place of standard grill on Eclipse SMJ blowers.
- Easy filter element replacement.

Specifications



| Catalog Number | Assembly Number | Maximum Capacity CFH | Blower Inlet Size | Dimensions In Inches | | Element Part Number |
|----------------|-----------------|----------------------|-------------------|----------------------|--------|---------------------|
| | | | | A | B | |
| 25 FAJ-S | 200758 | 25,000 | 4" | 15-7/8 | 6-1/2 | 11132 |
| 25 FAJ-M | 200757 | 25,000 | 6" & 8" | 15-7/8 | 6-1/2 | 11132 |
| 50 FAJ | 200756 | 50,000 | 6" & 8" | 20-1/8 | 6-1/2 | 11128 |
| 150 FAJ-S | 200754 | 150,000 | 6" & 8" | 26-7/8 | 7-3/4 | 15608 |
| 150 FAJ-M | 200755 | 150,000 | 10" & 12" | 26-7/8 | 7-3/4 | 15608 |
| 250 FAJ-L | 200753 | 250,000 | 10" & 12" | 27-7/8 | 17-7/8 | * |

* Requires two elements: #15608 and #10411