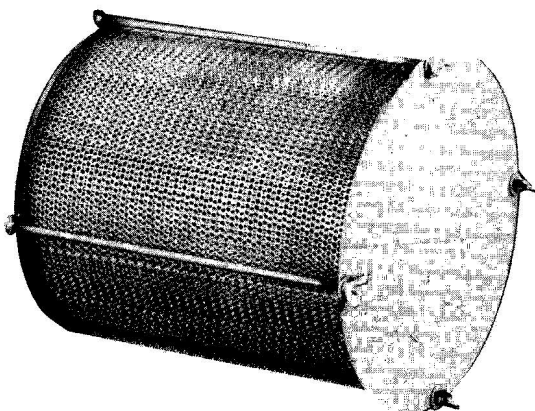


Eclipse Automotive Filters

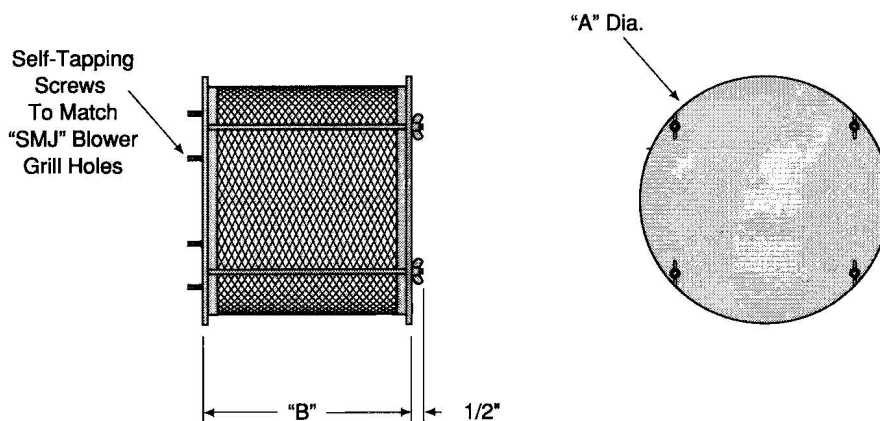
For Blowers

Series "SMJ"



- Filters dust and dirt from combustion air.
- Keeps blower wheels free of dirt for greatest efficiency and capacity; reduces blower, mixer, and burner maintenance.
- Mounts in place of standard grill on Eclipse SMJ blowers.
- Easy filter element replacement.

Specifications



Catalog Number	Assembly Number	Maximum Capacity CFH	Blower Inlet Size	Dimensions In Inches		Element Part Number
				A	B	
20 AFAJ-S	202819	20,000	4"	10-3/16	7-1/2	12936
20 AFAJ-M	202820	20,000	6"	10-3/16	7-1/2	12936
28 AFAJ-S	202821	28,000	4"	13-3/16	10-1/2	14639
28 AFAJ-M	202822	28,000	6"	13-3/16	10-1/2	14639
42 AFAJ	202823	42,000	6" & 8"	14-7/8	14-1/2	14640