

Incini-Cone Worksheet

Worksheet 420

3/27/2015

Customer P.O. _____

Eclipse S.O. / Quote _____

Customer _____

Eclipse Rep _____

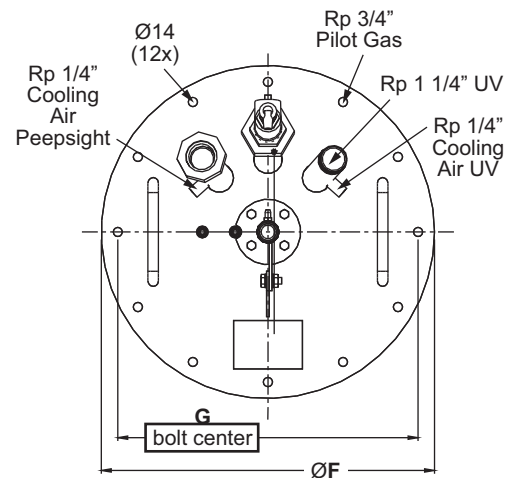
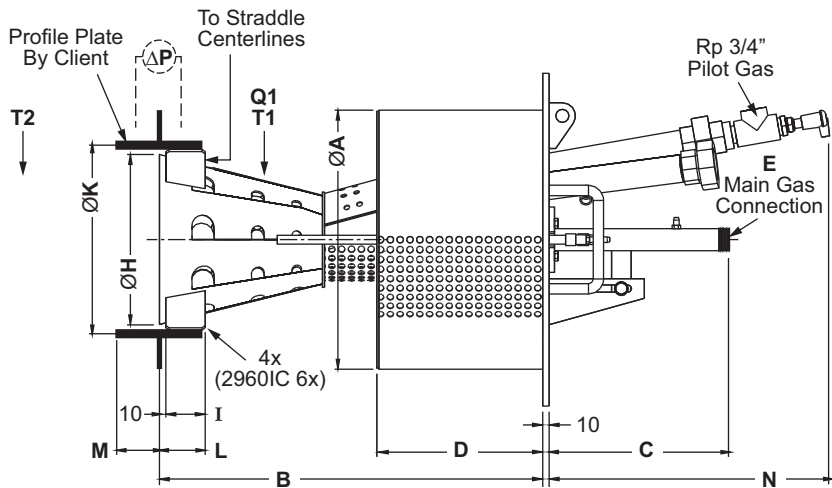
Customer Signature _____

Eclipse Rep Signature _____

Date _____

Date _____

- | | | | |
|--------------------------------------|--------------------|----------------------------|------|
| 1. Burner Type | IC | 5. Oxygen content upstream | % |
| 2. Process Flow Rate (Q1) | Nm ³ /h | 6. ΔP | mbar |
| 3. Process Temperature Upstream (T1) | °C | 7. ØK | mm |
| 4. Process Temperature Upstream (T2) | °C | | |



Burner Type	Dimensions (mm)												Weight (kg)
	A	B	C	D	E	F	G	H	I	L	M	N	
136 IC	395	585	275	253	R 1"	508	458	260	60	75	35	425	40
224 IC	495	635	275	253	R 1-1/4"	608	558	300	60	75	35	425	55
360 IC	595	715	275	253	R 1-1/2"	708	658	390	100	100	50	425	60
500 IC	595	765	275	253	R 2"	708	658	420	100	100	50	425	68
680 IC	595	905	275	253	R 2"	708	658	480	100	100	50	425	80
900 IC	695	1055	275	303	R 2-1/2"	808	762	540	100	100	50	375	97
1480 IC	795	1225	340	353	DN80 PN16	930	870	620	100	100	50	325	140
1780 IC	895	1395	340	353	DN80 PN16	1030	970	680	100	100	50	325	180
2960 IC	895	1553	410	353	DN100 PN16	1030	970	844	100	100	50	325	250