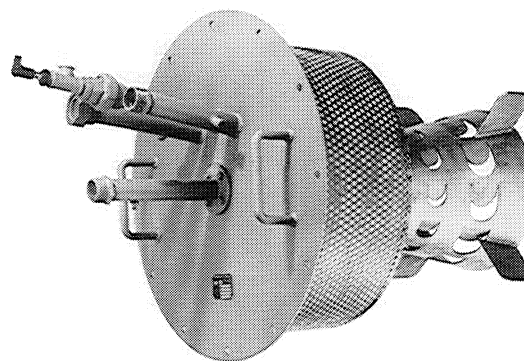
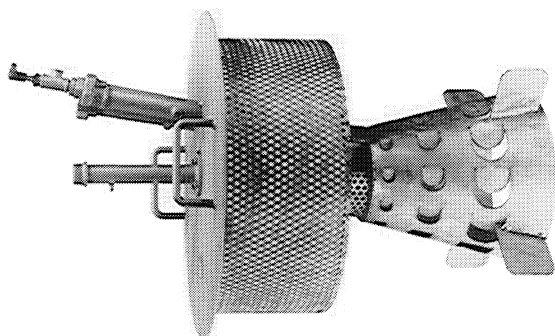


ECLIPSE INCINI-CONE BURNER

SERIES "IC"

Spec. 421-E

02/96



Eclipse Incini-Cone burners are designed for fume incineration of exhaust from dryers, ovens, and other similar equipment. Incini-cone burners are mounted in the exhaust duct and require the exhaust stream to supply all of the oxygen needed for complete combustion.

Burners assemblies include the burner body, gas or oil gun, gas pilot with ignition plug, and peepsight. Nine sizes are available with maximum inputs from 400 kW up to 8600 kW. Eclipse can supply valve trains and all other other components required for a complete combustion system.

SPECIFICATIONS

Max. Exhaust Temp.:

Upstream of Burner : 600°C

Downstream of Burner : 900°C

Nominal Hot Exhaust ΔP

Across Burner : 5 mbar

Min. Exhaust O₂ Content : 16 vol.% wet

Capacities & Turndown : See table

Flame Monitoring : U.V. Scanner Only

Pilot Burner : 50 kW and raw gas

Materials : All metal exposed to flame is high performance stainless steel.

Approvals : GOST



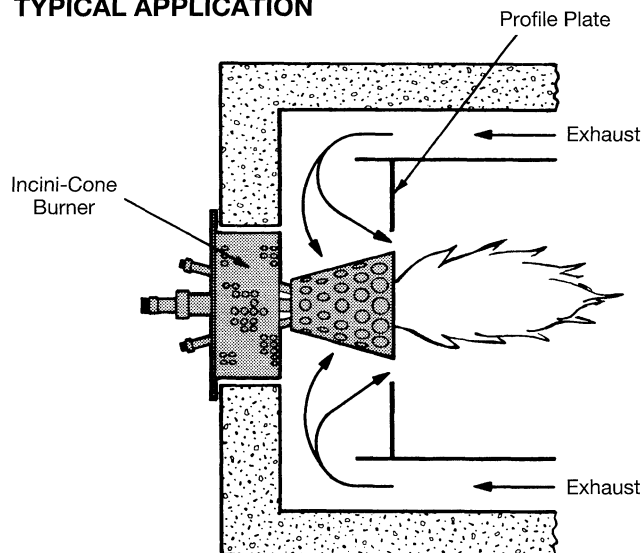
CAPACITIES

Catalog Number	Kilowatts	
	Minimum	Maximum
136 IC	15	400
224 IC	25	650
360 IC	40	1050
500 IC	55	1450
680 IC	75	2000
900 IC	100	2600
1480 IC	165	4300
1780 IC	200	5200
2960 IC	330	8600

FEATURES

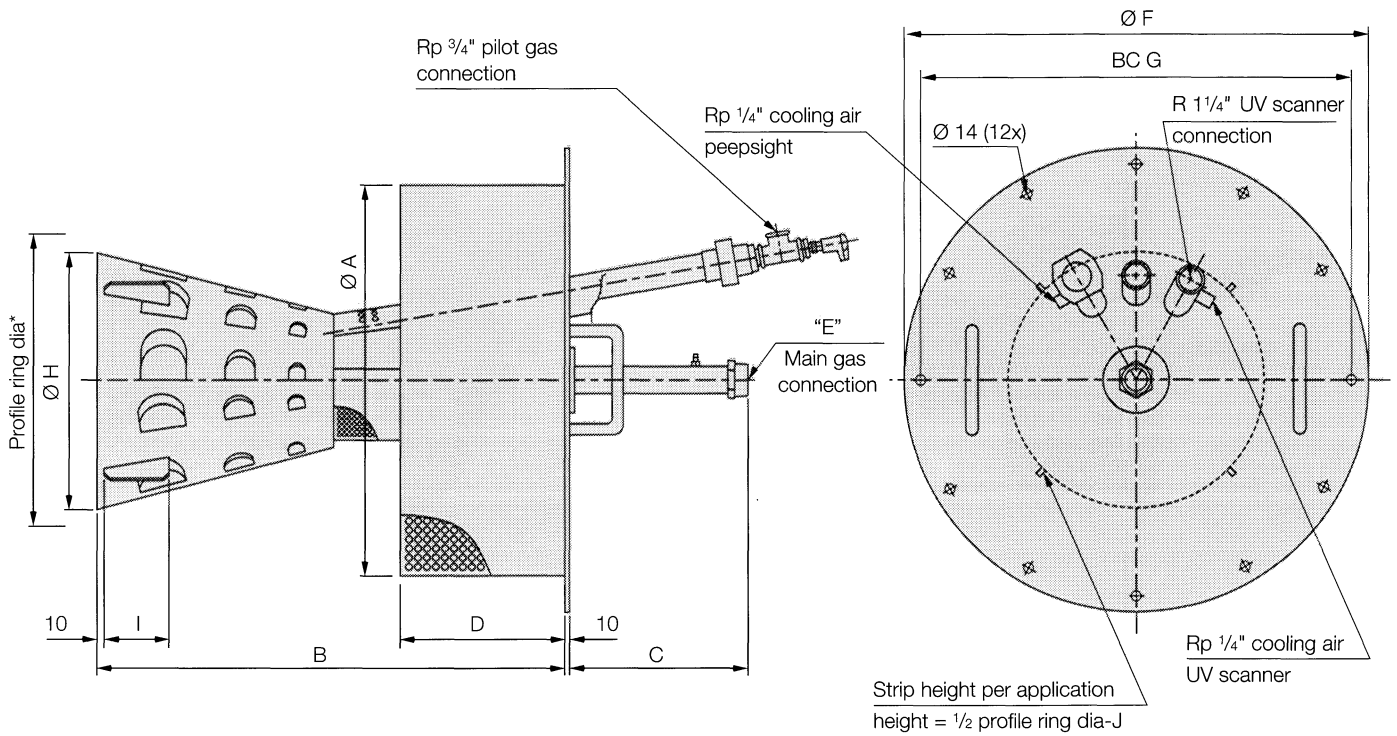
- • • Gas or oil firing with interchangeable gas and oil guns
- • • Insulated back-plate for cooler working environment
- • • Fuel turndowns up to 26:1 depending on the application
- • • Fume stream turndowns up to 2.5:1
- • • Concentric design insures even mixing and combustion
- • • Compact design allows for easy burner removal and access to incinerator
- • • Minimal maintenance

TYPICAL APPLICATION



Profile plate is sized to produce a 5 mbar hot exhaust ΔP across the burner.

CAUTION: It is dangerous to use any fuel burning equipment unless it is equipped with suitable flame sensing devices and automatic fuel shut-off valves. Eclipse can supply such equipment or information on other sources.



Gas gun is shown. Contact Eclipse for information on oil guns.

DIMENSIONS (mm)

Burner type	Dimensions mms										Weight kg approx.
	A	B	C	D	E	F	G	H	I	J	
136 IC	395	585	275	253	R 1"	508	458	260	60	115	40
224 IC	495	635	275	253	R 1 1/4"	608	558	300	60	134	55
360 IC	595	715	275	253	R 1 1/2"	708	658	390	100	170	60
500 IC	595	765	275	253	R 2"	708	658	420	100	187	68
680 IC	595	905	275	253	R 2"	708	658	480	100	215	80
900 IC	695	1055	275	303	R 2 1/2"	808	758	540	100	246	97
1480 IC	795	1225	340	353	DN 80 PN 16	930	870	620	100	284	140
1780 IC	895	1395	340	353	DN 80 PN 16	1030	970	680	100	*	180
2960 IC	895	1553	410	353	DN 100 PN 16	1030	970	844	100	395	250

* Contact factory