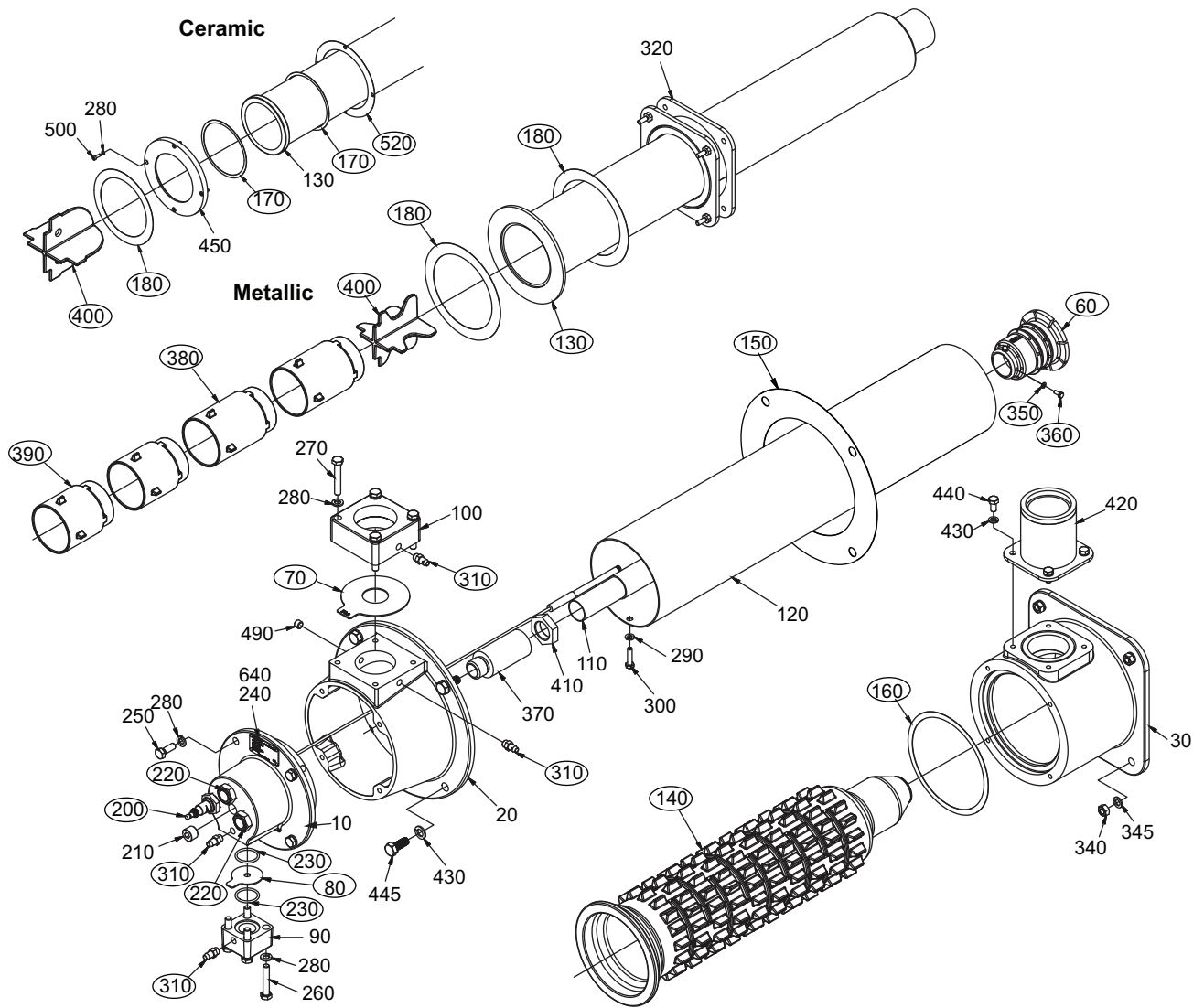


Eclipse Single-Ended Radiant Tube Burners

Model SER 800

Spare Parts List Edition 11.14

Version 5



Ref	Part Number	Description
60	10051668	Nozzle for Burner without Spark Rod Cooling
60	10055550	Nozzle for Burner with Spark Rod Cooling
70	-----	Contact Eclipse for your specific burner
80	-----	Contact Eclipse for your specific burner
130	-----	Contact Eclipse for your specific burner
140	10052414	Combustor
<i>(Continued on the next page)</i>		
150	10048053	Air Inlet Housing to Exhaust Housing Gasket
160	10048053-1	Combustor to Exhaust Housing Gasket
170	10048053-2	Ceramic Outer Tube Gasket
180	10048053-3	Adapter Plate Gasket
200	100205-24	Igniter for Burner without Spark Rod Cooling

Ref	Part Number	Description
200	150000-20	Igniter for Burner with Spark Rod Cooling
220	11737	Peepsight
230	14777	O-Ring for Fuel Orifice
310	13445	Pressure Tap
350	22499	Lock Washer, M4
360	22498	Bolt, M4 x 10
380	10048407	Ceramic Inner Tube Section (200 mm)
390	10048408	Ceramic Inner Tube Section (150 mm)
400	10048415	Ceramic Inner Tube End Section for Metallic Tubes
400	101022387	Ceramic Inner Tube End Section for Ceramic Tubes
520	10051678	Gasket, Ceramic Horizontal
520	101018029	Gasket, Ceramic Vertical
N/S	10056532	Cooling Tube Assembly