

Eclipse Bayonet-Ultra Recuperator

Worksheet Edition 6.11

Customer P.O. _____

Eclipse S.O. _____

Customer _____

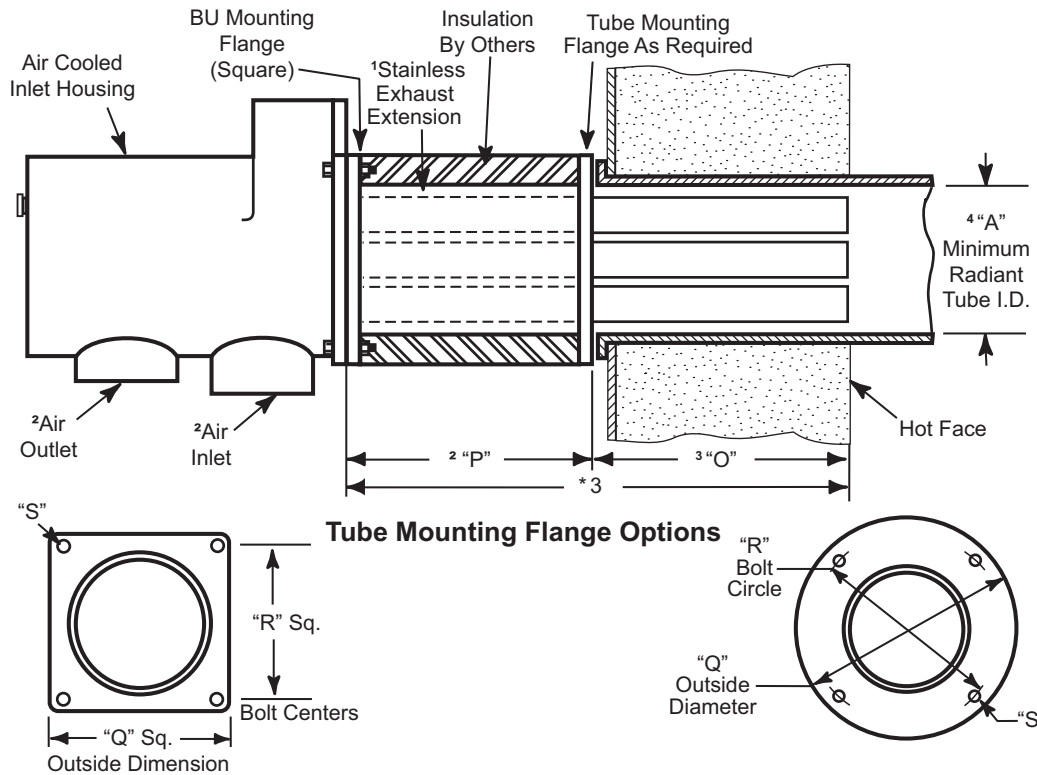
Eclipse Rep _____

Customer Signature _____

Eclipse Rep Signature _____

Date _____

Date _____



- ¹ Exhaust extension is NOT INCLUDED with standard Bayonet-Ultra Recuperator assembly. If exhaust extension is required, contact Inside Sales for PRJ/ETO pricing and leadtime
- ² Do not reverse inlet and outlet connections or the recuperator may overheat.
- ³ Tube ends must not extend past the inner face of the furnace wall more than 50 mm.
- ⁴ Dimension A is the minimum tube ID required.
- * Dimensions must be supplied by the customer.

Actual Exhaust Leg*

- A. Tube ID _____ mm
- O. Insulation Thk. _____ mm
- P. Exhaust Ext. Lg. _____ mm
(75 - 350mm in 25mm increments)
For "Q" and "R" below, specify:
 Square or Round
- Q. Mounting Flg. _____ mm
- R. Bolt Circle _____ mm
- S. Bolt Hole Dia. _____ mm

Flange	Dimensions in mm			
	A	Q	R	S
3 BU Square	73.0	133.4	107.9	14.3
4 BU Square	95.3	158.8	133.4	14.3
4 BU Round	95.3	200.0	152.0	14.3
5 BU Square	123.8	184.2	158.8	14.3
6 BU Square	139.7	209.6	184.2	14.3



elster
Thermal Solutions

Approval

Engineer _____ Date _____

Approved

Changes Required _____
