

# Eclipse ExtensoJet

---

# Burners

Model EJ050

Version 2

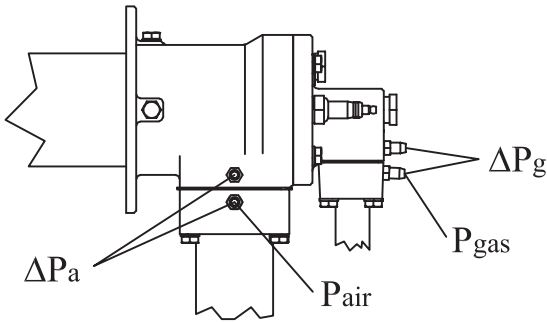
## Main Specifications

Parameter	Specification			
	Natural Gas	Propane	Butane	
Maximum Input Btu/hr (kW)	600,000 (176)	600,000 (176)	600,000 (176)	
Rated Input Btu/hr (kW)	500,000 (146)	500,000 (146)	500,000 (146)	
Minimum Input, on-ratio Btu/Hr (kW)	50,000 (14.6)	50,000 (14.6)	50,000 (14.6)	
Gas Inlet Pressure "w.c. (mbar) • Fuel pressure at gas inlet (P <sub>gas</sub> - see page 2)	High Velocity	25.7 (65.3)	26.1 (66.3)	26.4 (67.4)
	Medium Velocity	11.3 (28.1)	13.2 (32.9)	10.5 (26.1)
Air inlet pressure "w.c. (mbar) • Air pressure at air inlet (P <sub>air</sub> – see page 2)	High Velocity	25.7 (65.3)	29.1 (74)	29.1 (74)
	Medium Velocity	13.8 (34.1)	11.3 (28.1)	13.1 (32.6)
High fire flame length inches (mm)	20 (508)	18 (457)	17 (432)	
Maximum flame velocity ft/s (m/s) • 15% excess air, at rated input	High Velocity	656 (200)		
	Medium Velocity	290 (90)		
Flame detection	Flame Rod Only			
Maximum Furnace temperature °F (°C)	2250 (1232)			
Approximate Weight Lbs. (kg)	40 (18)			
Fuel	Natural gas, propane, butane For any other mixed gas, contact Eclipse for orifice sizing.			

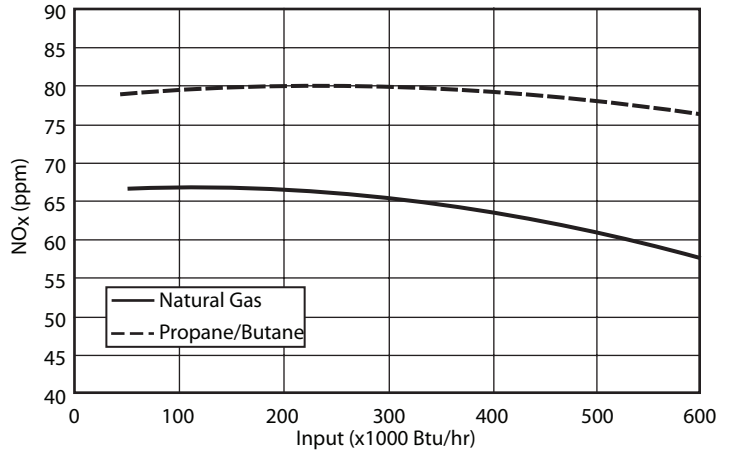
- All information is based on laboratory testing in neutral (0.0" w.c./mbar) pressure chamber. Different chamber size and conditions may affect the data.
- All inputs based upon gross calorific values.
- Eclipse reserves the right to change the construction and/or configuration of our products at any time without being obliged to adjust earlier supplies accordingly.

# Specifications

## Adjusting Diagram



## NO<sub>x</sub> Emissions Stoichiometrically fired and corrected to 3% O<sub>2</sub>

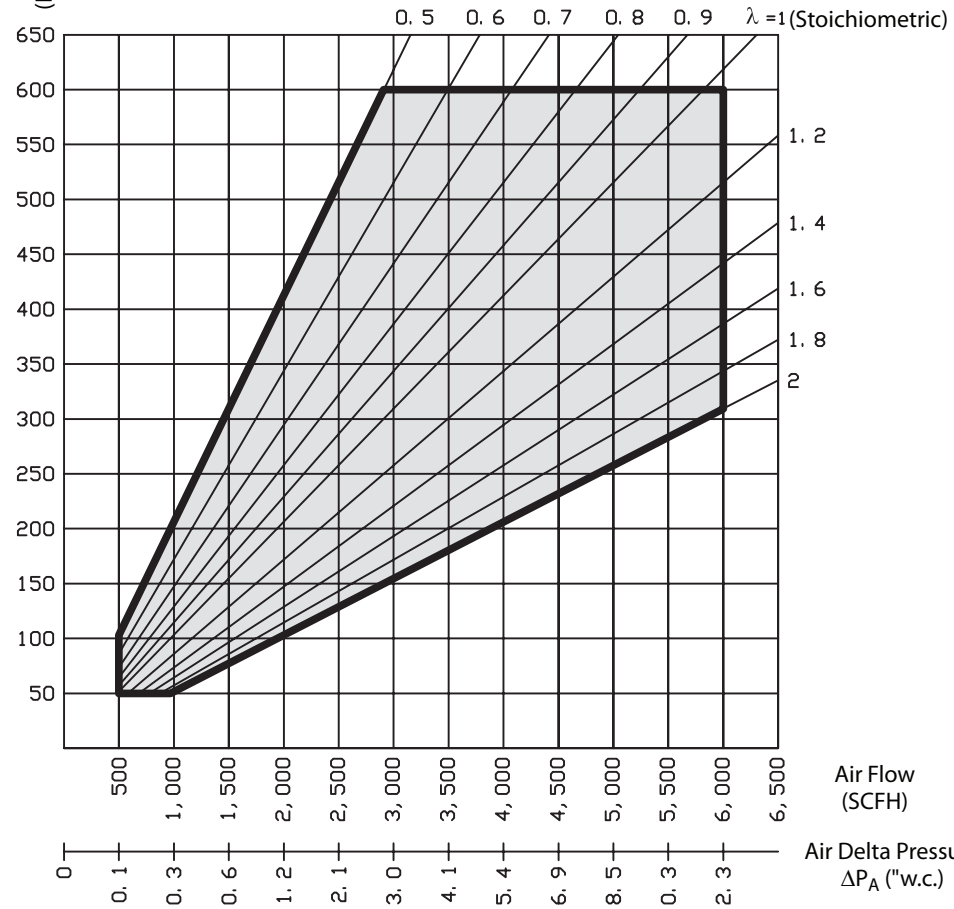


Butane Delta Pressure $\Delta P_G$ ("w.c.)	Propane Delta Pressure $\Delta P_G$ ("w.c.)	Natural Gas Delta Pressure $\Delta P_G$ ("w.c.)
8.7	9.3	6.7
7.5	8.0	5.7
6.4	6.8	4.8
5.4	5.5	4.0
4.4	4.5	3.3
3.3	3.5	2.5
2.4	2.8	1.9
1.7	2.0	1.3
1.0	1.1	0.9
0.5	0.6	0.5
0.3	0.3	0.3
0.1	0	0.1
0	0	0

Capacity  
(Btu/hr x 1000)

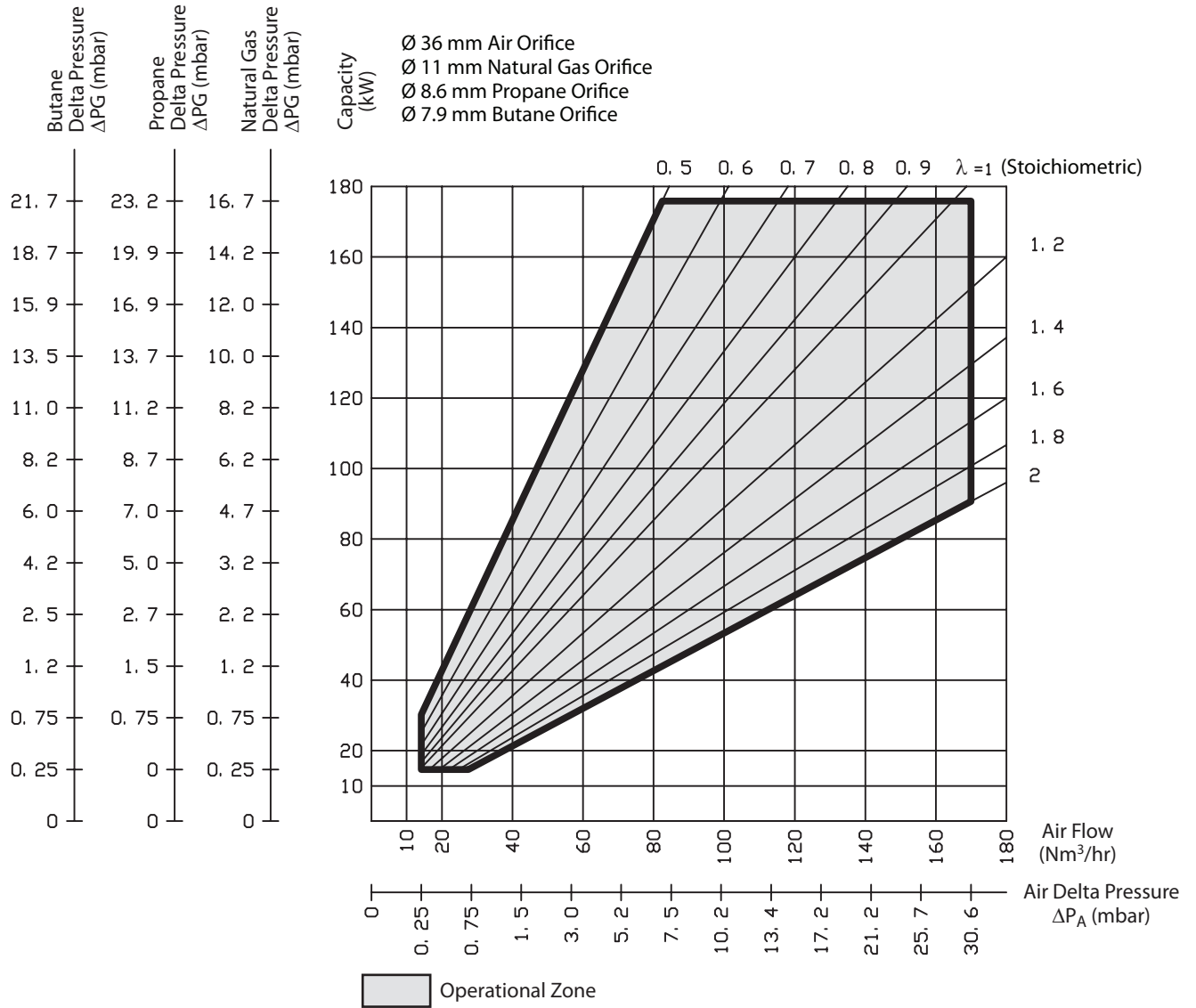
- Ø 36 mm Air Orifice
- Ø 11 mm Natural Gas Orifice
- Ø 8.6 mm Propane Orifice
- Ø 7.9 mm Butane Orifice

Combustor Outlet Diameter	
High Velocity	33 mm
Medium Velocity	48 mm



Operational Zone

## Specifications (Cont.)



## Dimensions mm(inches)

