

Eclipse ExtensoJet Burners

Model EJ025
Version 2

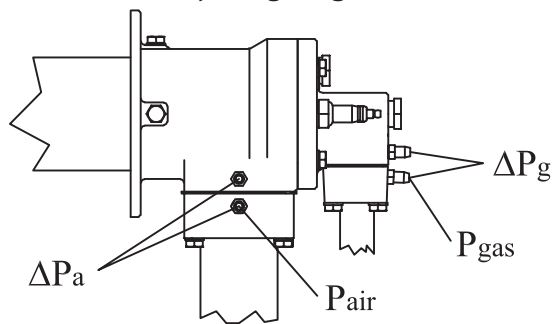
Main Specifications

Parameter	Specification		
	Natural Gas	Propane	Butane
Maximum Input Btu/hr (kW)	300,000 (88)	300,000 (88)	300,000 (88)
Rated Input Btu/hr (kW)	250,000 (73)	250,000 (73)	250,000 (73)
Minimum Input, on-ratio Btu/Hr (kW)	25,000 (7.3)	25,000 (7.3)	25,000 (7.3)
Gas Inlet Pressure "w.c. (mbar) Fuel pressure at gas inlet (pgas- see page 2)	9.2 (22.9)	8.9 (22.2)	9.0 (22.4)
Air inlet pressure "w.c. (mbar) Air pressure at air inlet (Pair – see page 2)	10.3 (25.6)	9.4 (23.4)	9.5 (23.6)
High fire flame length inches (mm)	24 (610)	13 (330)	12 (305)
Maximum flame velocity ft/s (m/s) 15% excess air, at rated input	655 (200)		
Flame detection	Flame Rod Only		
Maximum Furnace temperature °F (°C)	2250 (1232)		
Approximate Weight Lbs. (kg)	40 (18)		
Fuel	Natural gas, propane, butane For any other mixed gas, contact Ecilpse for orifice sizing.		

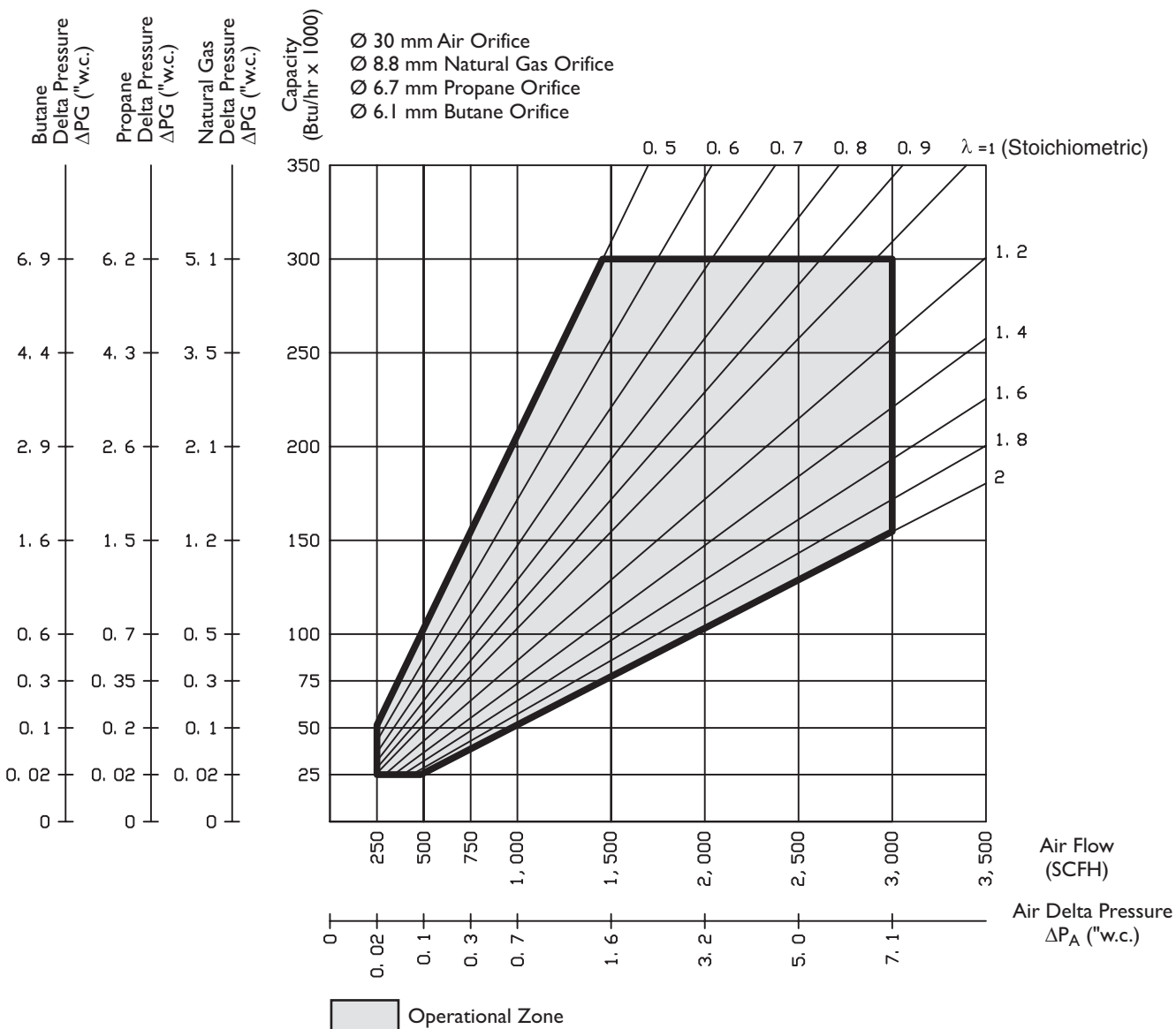
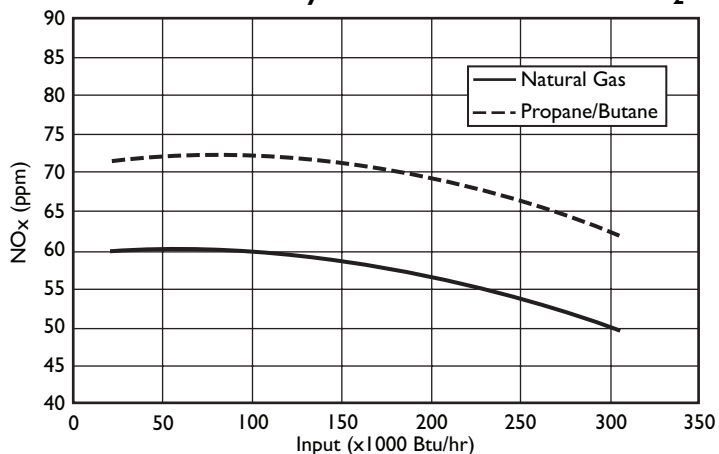
- All information is based on laboratory testing in neutral (0.0"w.c./mbar) pressure chamber. Different chamber size and conditions may affect the data.
- All inputs based upon gross calorific values.
- Eclipse reserves the right to change the construction and/or configuration of our products at any time without being obliged to adjust earlier supplies accordingly.

Specifications

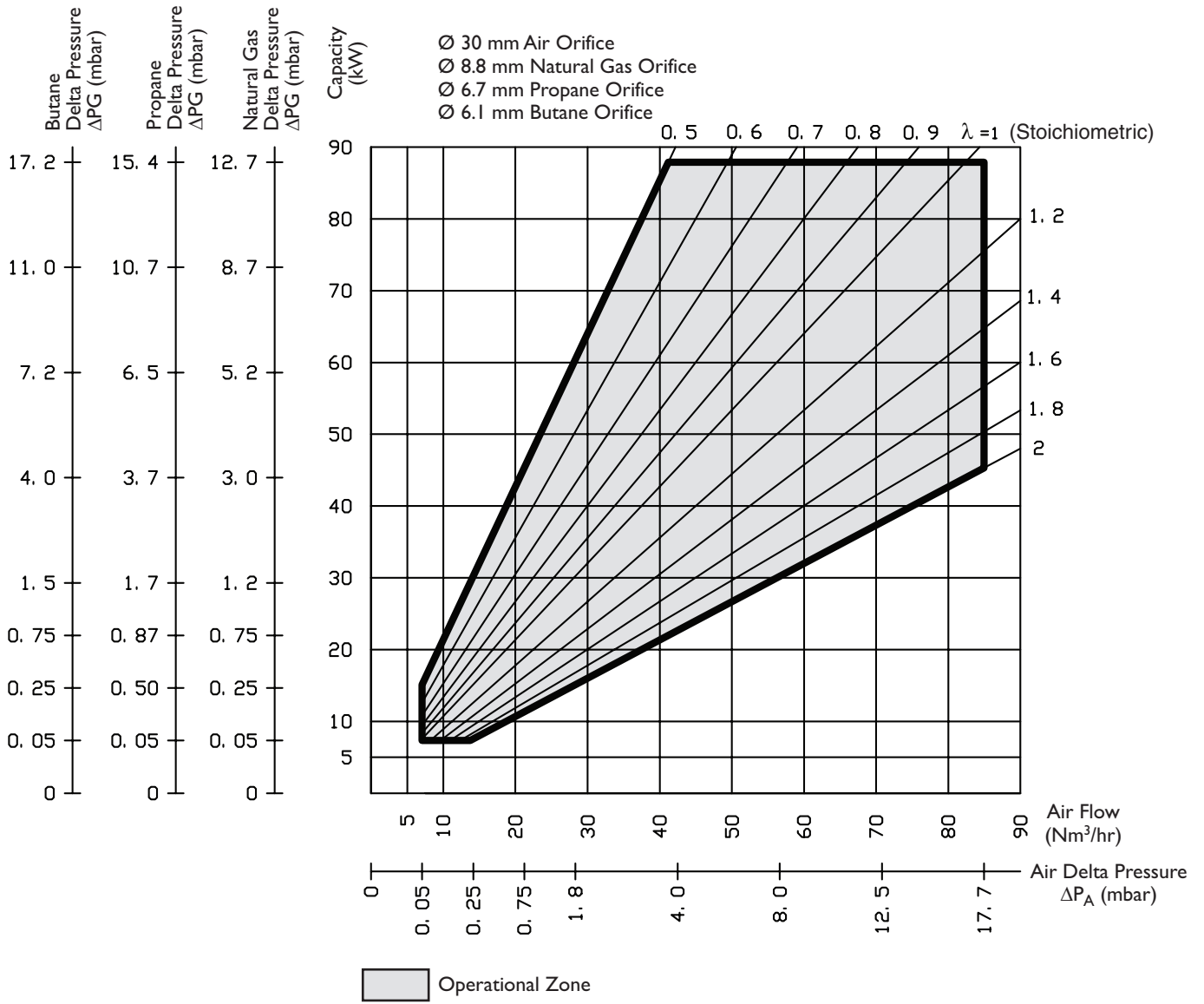
Adjusting Diagram



NO_x Emissions
Stoichiometrically fired and corrected to 3% O₂



Specifications (Cont.)



Dimensions mm(inches)

