

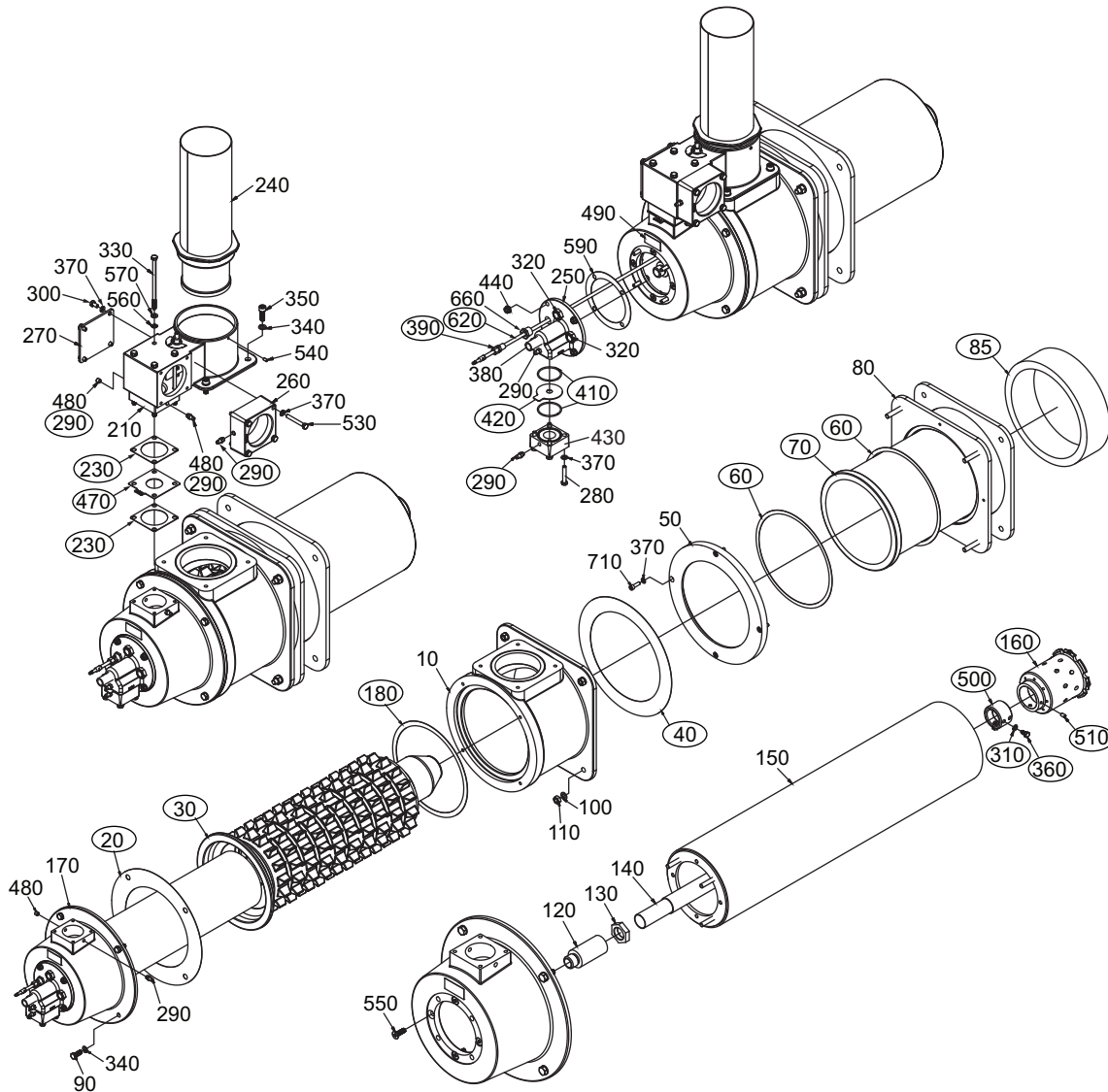
Eclipse ThermJet Self-Recuperative Burner

Spare Parts List 208-3

2/4/2013

Model TJSR0060

Version 5.6



○ - Typical Spare Part, for all other items please contact Eclipse.

Ref	Part Number	Description
20	10051895	Air Inlet Housing to Exhaust Housing Gasket
30	10050280	Combustor
40	10051898	Exhaust Housing to Adapter Plate Gasket
60	10051897	Recuperation Tube Gasket
70	10050089	Recuperation Tube
85	10051871	Mounting Extension Insulation (50mm)
85	10051872	Mounting Extension Insulation (75mm)
85	10051873	Mounting Extension Insulation (100mm)
85	10051874	Mounting Extension Insulation (125mm)
85	10051875	Mounting Extension Insulation (150mm)

Ref	Part Number	Description
85	10051876	Mounting Extension Insulation (175mm)
85	10051877	Mounting Extension Insulation (200mm)
85	10051878	Mounting Extension Insulation (225mm)
85	10051879	Mounting Extension Insulation (250mm)
160	10023598-1	Nozzle
160	10060511	Cooling Nozzle
180	10051896	Combustor to Exhaust Housing Gasket

(Continued on next page)

TJSR0060 Spare Parts List (continued)

Ref	Part Number	Description
230	10060715	Eductor Gasket
290	13445	Pressure Tap
310	10024357	Lock Washer (M6) for Nozzle
360	10024358	Bolt (M6x10)
390	150000-20	Igniter for Standard Option
390	150000-22	Igniter for Cooling Option
410	17037	O-Ring for Fuel Orifice Plate (52.1mm)
420	14934-10	Orifice Plate for Natural Gas (13.5mm)
470	10054269	Orifice Plate for Eductor (40.5mm)
500	10023351	Nozzle Adapter
510	10024356	Set Screw (M6x10) for Nozzle
620	101016008	Spark Rod Cooling Tube
N/A	10056000	Spark Rod Cooling Hose