

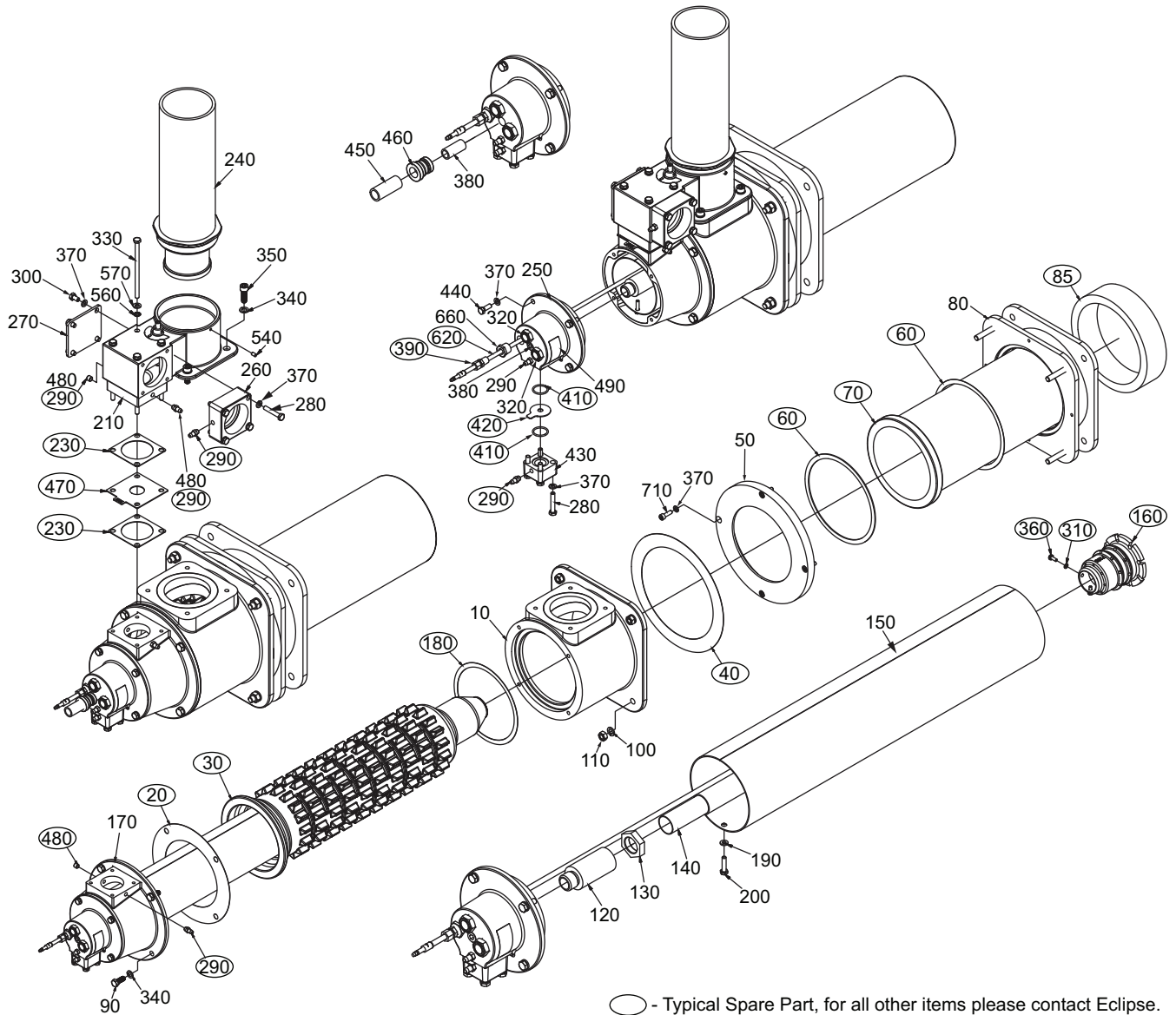
# Eclipse ThermJet Self-Recuperative Burner

Spare Parts List 208-2

2/4/2013

Model TJSR0035

Version 5.6



Ref	Part Number	Description
20	10048053	Air Inlet Housing to Exhaust Housing Gasket
30	10052414	Combustor
40	10048053-3	Exhaust Housing to Adapter Plate Gasket
60	10048053-2	Recuperation Tube Gasket
70	10050946	Recuperation Tube
85	10048395-10	Mounting Extension Insulation (50mm)
85	10048395-11	Mounting Extension Insulation (75mm)
85	10048395-12	Mounting Extension Insulation (100mm)
85	10048395-13	Mounting Extension Insulation (125mm)
85	10048395-14	Mounting Extension Insulation (150mm)

Ref	Part Number	Description
85	10048395-15	Mounting Extension Insulation (175mm)
85	10048395-16	Mounting Extension Insulation (200mm)
85	10048395-17	Mounting Extension Insulation (225mm)
85	10048395-18	Mounting Extension Insulation (250mm)
160	10052415	Nozzle
160	10055602	Cooling Nozzle
180	10048053-1	Combustor to Exhaust Housing Gasket

(Continued on next page)

## TJSR0035 Spare Parts List (*continued*)

Ref	Part Number	Description
230	10060715	Eductor Gasket
290	13445	Pressure Tap
310	22499	Lock Washer (M4)
360	22498	Bolt (M4x10)
390	150000-20	Igniter*
410	14777	O-Ring for Fuel Orifice Plate (26mm)
420	14191-16	Orifice Plate for Natural Gas (10mm)
470	10051891	Air Orifice Plate (34mm)
620	10056531	Spark Rod Cooling Tube

\*For versions prior to Version 5.2 use part number 100205-23.