

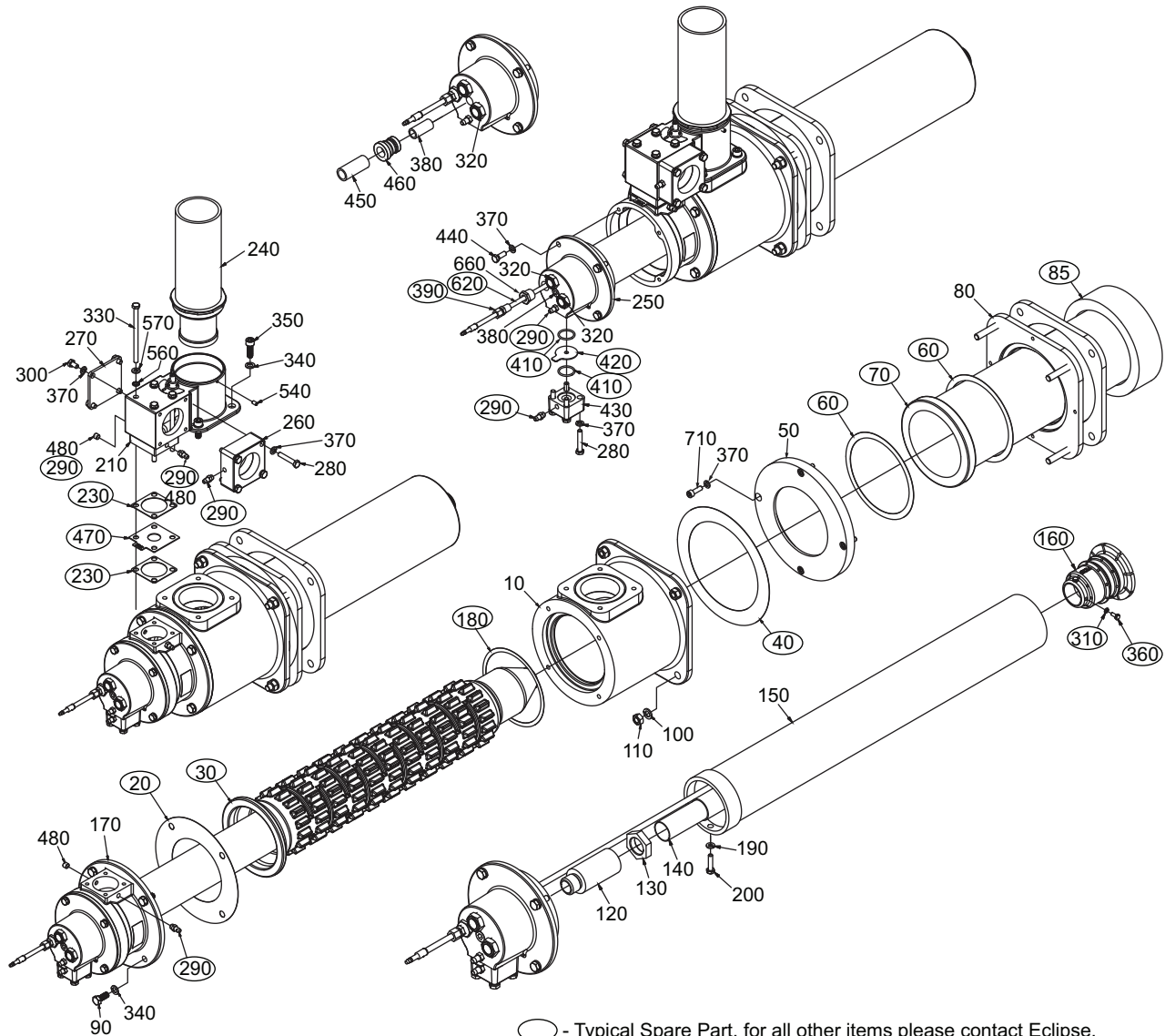
Eclipse ThermJet Self-Recuperative Burner

Spare Parts List 208-1

2/4/2013

Model TJSR0020

Version 5.6



Ref	Part Number	Description
20	10046827	Air Inlet Housing to Exhaust Housing Gasket
30	10050820	Combustor
40	10046827-3	Exhaust Housing to Adapter Plate Gasket
60	10046827-2	Recuperation Tube Gasket
70	10050687	Recuperation Tube
85	10046800-10	Mounting Extension Insulation (50mm)
85	10046800-11	Mounting Extension Insulation (75mm)
85	10046800-12	Mounting Extension Insulation (100mm)
85	10046800-13	Mounting Extension Insulation (125mm)
85	10046800-14	Mounting Extension Insulation (150mm)
85	10046800-15	Mounting Extension Insulation (175mm)

Ref	Part Number	Description
85	10046800-16	Mounting Extension Insulation (200mm)
85	10046800-17	Mounting Extension Insulation (225mm)
85	10046800-18	Mounting Extension Insulation (250mm)
160	10051668	Nozzle
160	10055550	Cooling Nozzle
180	10046827-1	Combustor to Exhaust Housing Gasket
230	10050528	Eductor Gasket
290	13445	Pressure Tap

(Continued on next page)

TJSR0020 Spare Parts List (*continued*)

Ref	Part Number	Description
310	22499	Lock Washer (M4)
360	22498	Bolt (M4x10)
390	150000-20	Igniter*
410	14777	O-Ring for Fuel Orifice Plate (26mm)
420	14191-23	Orifice Plate for Natural Gas (7.2mm)
470	10051467	Orifice Plate for Eductor (25mm)
620	10056531	Spark Rod Cooling Tube

*For versions prior to Version 5.2 use part number 100205-23.