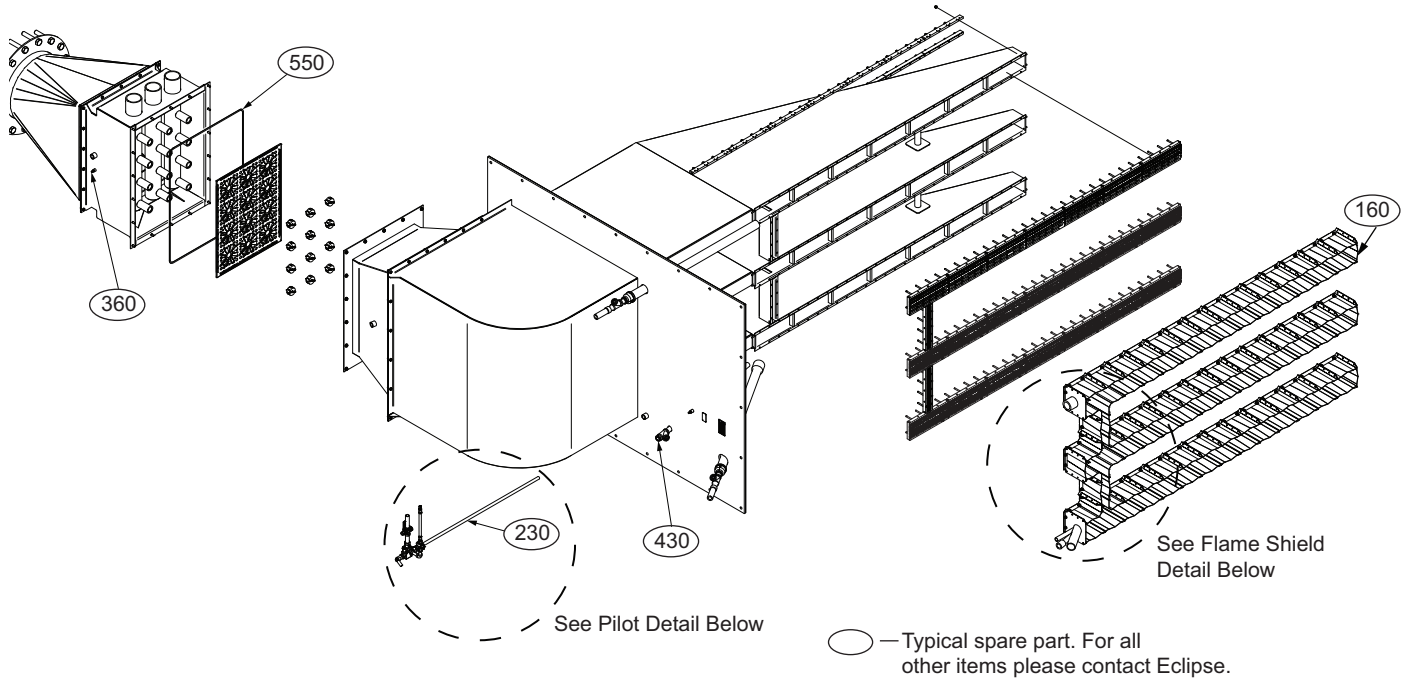


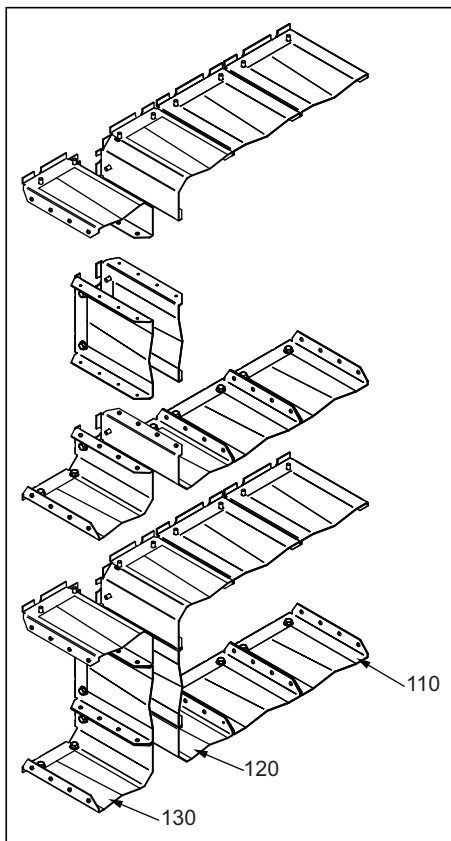
Eclipse Linnox Burners

Model Tee ULE
Spare Parts List Edition 12.14

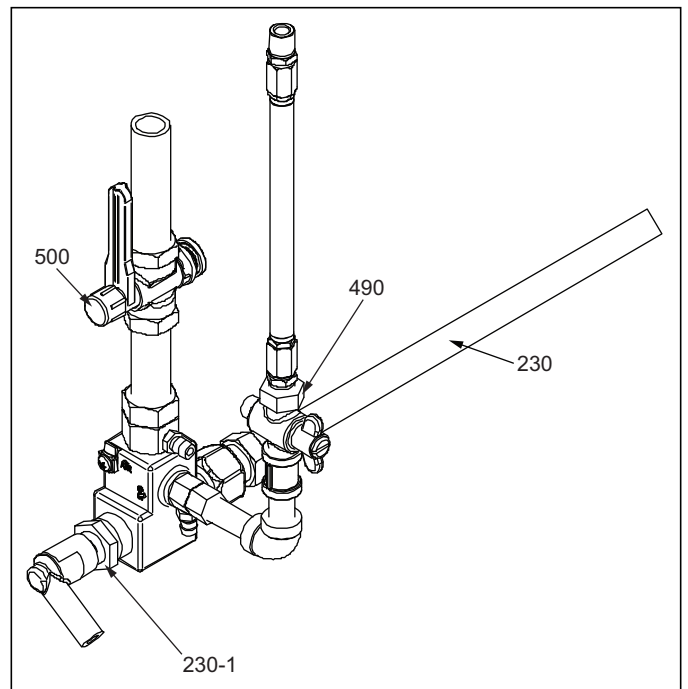
Version 1



Flame Shield Detail



Pilot Detail



Ref	Part Number	Description
110	00.4017102.01	Plate, Shield, Flame (Side)
120	RFD188046	Plate, Shield, Flame, Corner
130	RFD188419	Plate, Shield, Flame, Corner
160	00.4017119.00	Plate, Shield, Flame, End (No hole, ID 24 to 144)
160	10060708	Plate, Shield, Flame, End (No hole, ID 240)
160	10060706	Plate, Shield, Flame, End (No hole, ID 360)
160	10060704	Plate, Shield, Flame, End (No hole, ID 480)
160	10060554	Plate, Shield, Flame, End (No hole, ID 720)
230	10056257	Pilot, NPT, 400 mm
230-1	101023084	Spark Rod for 400 mm Pilot
230	10056258	Pilot, NPT, 600 mm
230-1	101023085	Spark Rod for 600 mm Pilot
230	10056259	Pilot, NPT, 800 mm
230-1	101023086	Spark Rod for 800 mm Pilot

Ref	Part Number	Description
230	10056260	Pilot, NPT, 1000 mm
230-1	101023087	Spark Rod for 1000 mm Pilot
230	10056261	Pilot, NPT, 1200 mm
230-1	101023088	Spark Rod for 1200 mm Pilot
230	10056978	Pilot, BSP, 400 mm
230	10056443	Pilot, BSP, 600 mm
230	10056979	Pilot, BSP, 800 mm
230	10056980	Pilot, BSP, 1000 mm
230	10056981	Pilot, BSP, 1200 mm
360	13445	Tap, Pressure, 1/8" NPT
430	10509	Peepsight, 3/4" NPT
490	12659	Valve, Orifice, Adjustable, 1/4" NPT
500	10627	Valve, Orifice, Adjustable, 1/2" NPT
550	32819**	Gasket material

**Contact Eclipse with the burner serial number for the total gasket length required.