

# ECLIPSE LINNOX TEE ULE BURNERS

**Get the lowest emissions, widest input range, increased design flexibility, and simple operation with Linnox Tee ULE Burners.**

The Eclipse Linnox Tee ULE burner is designed for direct fired air heating applications where ultra low NO<sub>x</sub> and CO emissions are needed to meet legislative or process requirements. The Linnox Tee ULE offers the widest input range and the most module/row configurations of any line style burner on the market. These best-in-class features make it ideal for industrial drying processes where good heat distribution and temperature uniformity are essential.

No competing line style burner can match the ultra low emissions achieved by the Linnox Tee ULE. Emissions are less than 15 ppm NO<sub>x</sub> and less than 100 ppm CO, corrected to 3% oxygen when firing natural gas.

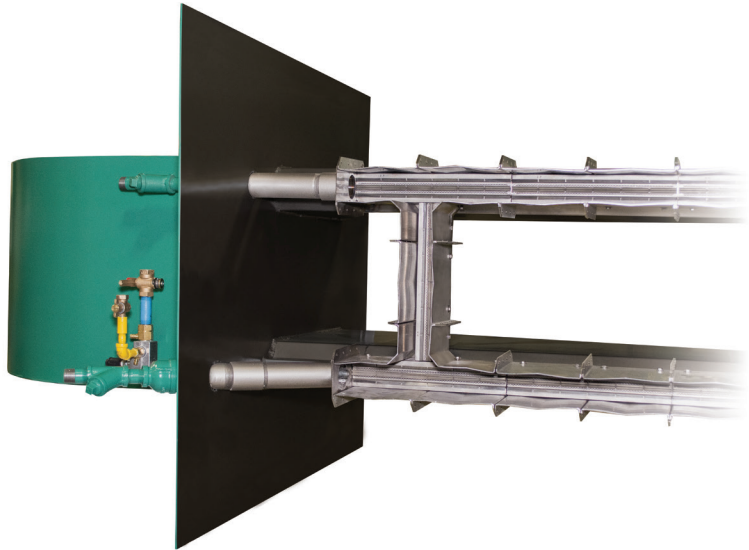
### **Reliable performance.**

The Linnox Tee ULE burner incorporates a uniquely designed premix combustion technology that allows the burner to achieve ultra low emissions and exceptional heat distribution over the input range of the burner. The Linnox Tee ULE produces a short flame, protected by a heat resistant combustion chamber, which achieves optimum combustion without being significantly influenced by the process air stream.

### **Design flexibility.**

Linnox Tee ULE burners can be configured to meet your specific heating requirements. The standard input range is 5,400,000 Btu/h to 45,000,000 Btu/h (1600 – 13188 kW), and with varying

## **Ultra Low Emissions Line Style Burners**



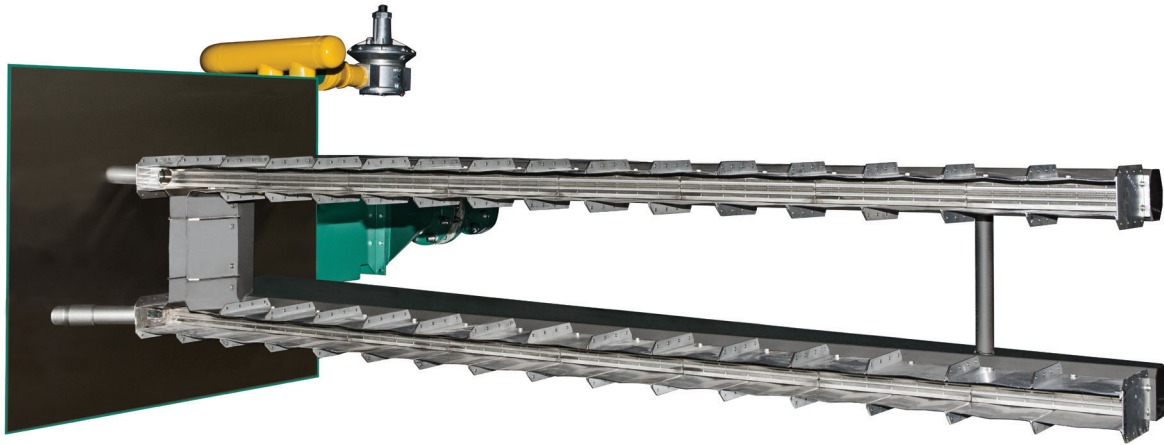
combinations of modules and rows, a wide range of inputs and footprints can be achieved. Because of the modular burner design, standard burners can be assembled in lengths from 0.91 m to 2.7 m (3 to 9 feet) with 1 foot modular sections ranging from 90 - 2700 kBtu/h each. In addition, multiple rows of these modules can be used, which greatly increases burner capacity as well as ability to adapt to nearly any application.

The same input can be achieved with different combinations of modules and rows and with the ability to build the burner with up to 4 rows, the Linnox Tee ULE can be customized to fit nearly any industrial furnace or duct application. For example an input of 1080 kBtu/h can be achieved with either 3 modules of 180 kBtu/h size with 2 rows, or 4 modules of 90 kBtu/h size with 3 rows. The ideal choice will depend on the specific application.

*Note: if a larger input range is required, the Linnox Tee ULE offers all the benefits of the Linnox Straight ULE but with the option of a "Tee" configuration along with a higher range of operating inputs.*

# Linnox Tee ULE Burners

*Ultra low emissions, exceptional temperature uniformity, and design flexibility.*

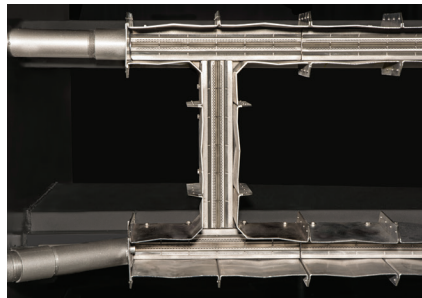


## ***Simple, cost effective operation.***

Unlike other burners, the Linnox Tee ULE does not require an expensive and complex control system to deliver low emissions. The gas/air ratio is efficiently and reliably controlled by a ratio regulator, which uses modulated air pressure to always deliver the correct amount of gas to the burner.

## ***Global technology.***

With over 10 years of proven application experience, the Linnox Tee ULE is designed to meet the most challenging customer requirements anywhere in the world.



## ***Additional features.***

- Emission guarantee is available on request.
- Holds GOST, RTN, SEPRO, and other international product certifications.
- Factory tested