

# J90 1¼", 2" & 3" Sizes Commissioning Instructions

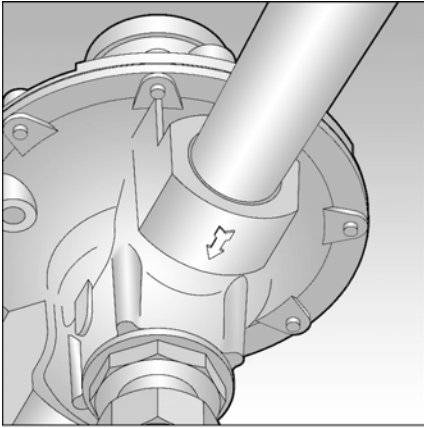


Fig. 1

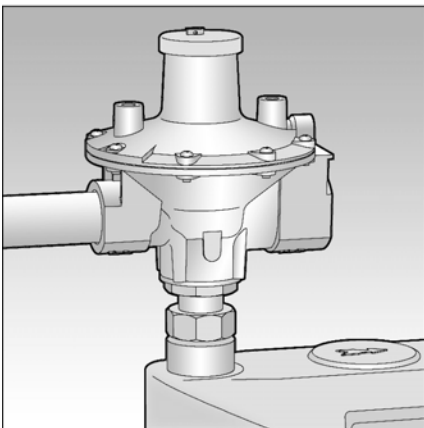


Fig. 2

## OPERATING INSTRUCTIONS

- Ensure that this product is suitable for the chosen application.
- Installation, adjustment and maintenance by authorised, trained personnel only.
- When being fitted to an appliance, refer to the appliance manufacturers instructions.
- The unit should not be installed in a corrosive environment.
- The ambient temperature (surface temperature) should be within the limits stated on the regulator catalogue.

**Warning!** Incorrect installation, adjustment, modification, operation and maintenance may cause injury or damage. Read the instructions before use. This control must be installed in accordance with the rules in force.

## FITTING UNIT INTO PIPEWORK (A)

Installations in the UK should comply with IGE/GM6 and IGE/GM8.

1. Remove the protection from the inlet and outlet ports if fitted.
2. Ensure that the installation pipework is thoroughly clean.
3. The direction of gas flow must be the same as the arrows on the regulator body. See Fig. 1.
4. Mount regulator to meter inlet and connect pipework to regulator inlet. See Fig. 2.
5. On threaded units use an approved jointing compound.
6. No jointing compound must be allowed to enter the gas pipe when fitting the regulator.

## CHECK FOR SOUNDNESS

1. Apply pressure to inlet and outlet.  
Inlet: 1.1 x Pi max  
Outlet: 1.1 x Po max
2. Use soap at joints with pipes and meter.

## ESTABLISHING SUPPLY

1. Turn off downstream appliances.
2. Slowly turn on inlet supply.
3. Commission any downstream appliances.

## SETTING OF OUTLET PRESSURE.

The outlet pressure of the J90 is set at the factory during manufacture. The selected set point of the regulator ensures that it performs within the requirements stated in specifications T/SP/PRS/33 and PRS/33/E. If required, the checking of the outlet pressure of the regulator in operation should be operating within the parameters laid down in this specification.