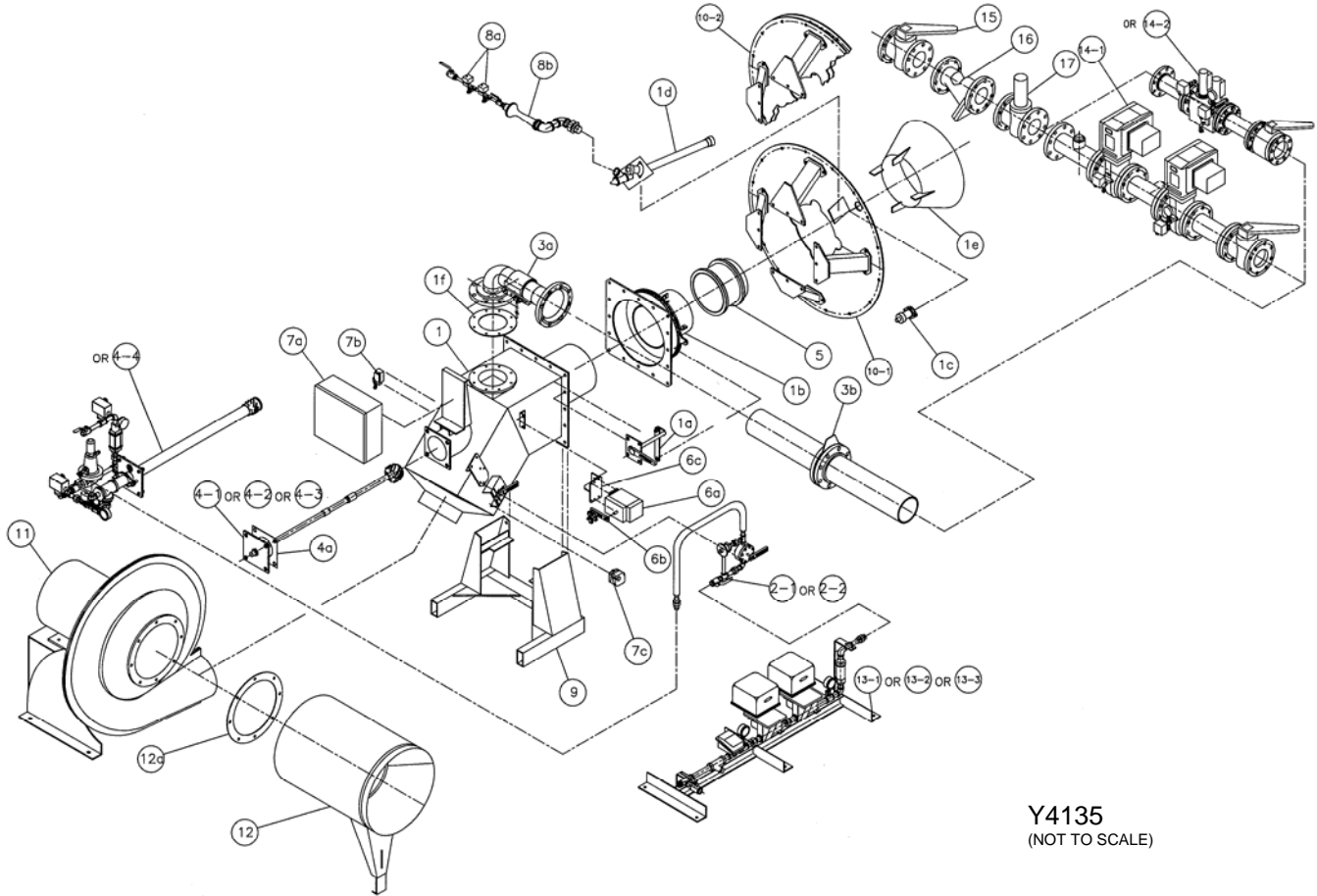




**OPEN FIRED  
STARJET BASIC UNIT  
SJ075 – SJ260**



Y4135  
(NOT TO SCALE)

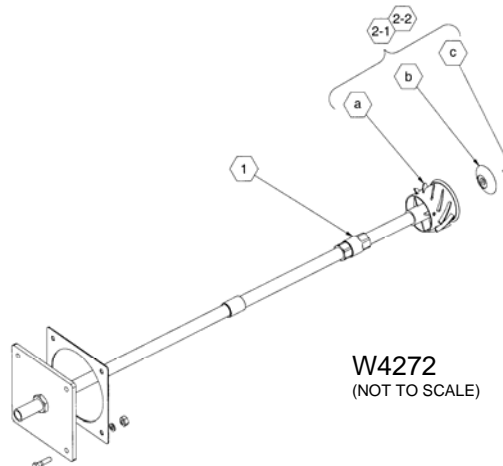
**Key**

<u>No.</u>	<u>Description</u>	<u>SJ075</u>	<u>SJ150</u>	<u>SJ200</u>	<u>SJ260</u>
1	Burner, Basic	46965	70301	70319	70305
a	Spin Vane Adjustment	46982x001	46982x001	46353x001	46353x001
b	Nozzle Assembly, Secondary Air Front	46997	70156	70235	70235
c	Adapter Assembly, Flame Scanner	46682	46682	46682	46682
	Ball Retaining Flange	46681	46681	46681	46681
	Scanner Adapter Nut	46685	46685	46685	46685
d	Pilot Assembly, Gas	48551	70124	47782x001	47782x001
	RFS Nozzle	1000A	9378	9378	9378
+	Spark Plug Igniter Assembly	47783x001	47783x002	47783x006	47783x006
e	Flame Holder Assembly	46974	70216	70216	70241
f	Gasket	4124	4124	4124	4124
2-1	Manifold Assembly, Oil	71080	71080	71082	71082
	Micro Valve	12507	12507	16684	16684
	Low Fire Micro Valve	42573	42573	42574	42574
2-2	Manifold Assembly, LP (Not Shown)	71097	71097	71098	71098
	Micro Valve	16936	16936	16937	16937

Key No.	Description	SJ075	SJ150	SJ200	SJ260
3	Kit, Gas Valve Metering	72342x001	72342x002	72343x	72343x
a	Manifold Assembly, Gas				
	W/24 osi Blower	72328	72328	72351	72329
	W/36 osi Blower	72328	72328	72329	72329
	Valve, Butterfly W/Lever & Pointer				
	W/24 osi Blower	48552	48522	48757	48338
	W/36 osi Blower	48552	48552	48338	48338
b	Meter Assembly, Gas Orifice				
	W/24 osi Blower	54139	54140x001	54140x001	54140x002
	W/36 osi Blower	54139	54140x001	54140x002	54140x002
4-1	Insert, Oil/Gas	47349	70220	70220	70220
4-2	Insert, Heavy Oil/Gas	---	---	---	---
4-3	Insert, LP/Gas (Not Shown)	47524x001	70219	70233x001	70233x002
4-4	Insert, Compressed Air/Oil				
	Manifold	---	401339x	401340x	401340x
	Insert	---	401328	401328	401328
4a	Gasket, Insert	47050	44449	44449	44449
5	Sleeve Kit, Secondary Air, High & Low	N/A	70427	70427	70427
	High Velocity	N/A	49978	49978	49978
	Low Velocity	47004	45654	45654	45654
6	Kit, Control Motor				
	3,6,9 & 12 o'clock	72437x001	72437x001	72437x001	72437x001
a+	Medium Torque Motor	16847	16847	16847	16847
b	Triple Bearing Lever Assembly	45829	45829	45829	45829
c	Motor Mt'g Bracket, 3 & 6 o'clock	72332	72332	72332	72332
7*	Kit, Junction Box	45842x	45842x	45842x	45842x
a	Junction Box	40576x	40576x	40576x	40576x
	Transformer	40198	40198	40198	40198
	Resistor	15887	15887	15887	15887
b+	Low Fire Limit Switch	20533	20533	20533	20533
c+	Air Pressure Switch	84447832	84447832	84447832	84447832
8	Manifold Assembly, Pilot Gas	48687	70814	70814	70814
a+	Valve, Gas Pilot Solenoid	15773	15773	15773	15773
b	Inspirator, Gas-Air	12036	12037	12037	12037
9	Skid, Mini				
	17" Centerline	46950x002	46950x002	N/A	N/A
	20" Centerline	N/A	N/A	47373	47373
	24" Centerline	46950x001	46950x001	44453	44453
10-1	Single Heatshield	46988	46988	46718	46718
10-2	Dual Heatshield	47111	47111	46868	46868
11	Blower	TBA-6	TBA-6	TBA-6	TBA-6
	24 osi (Use For Gas Firing Only)	18598x	18599x	18600x	18601x
	36 osi	TBA-24-10-0	TBA-24-15-0	TBA-24-20-0	TBA-24-25-0
		44045x	44048x	44059x	44067x
		TBA-36-20-0	TBA-36-25-0	TBA-36-40-0	TBA-36-50-0
12	Silencer, Blower				
	24 osi	36073	36073	36074	36074
		SBI-2012	SBI-2012	SBI-2112	SBI-2112
	36 osi	36071	36071	36072	36075
		SBI-2008	SBI-2008	SBI-2010	SBI-2212
a	Gasket, Silencer				
	24 osi	34757	34757	34757	34757
	36 osi	36971	36971	36972	34757

Key No.	Description	SJ075	SJ150	SJ200	SJ260
13-1	Manifold, Prepped Oil (POM)	400336X001 POM207-1 POM-6	400336X001 POM207-1 POM-6	400336X002 POM207-2 POM-6	400336X002 POM207-2 POM-6
13-2	Manifold, Heavy Oil (POM-H) (Not Shown)	400336X010 POM-H 207-1 POM-H-6	400336X010 POM-H 207-1 POM-H-6	400336X020 POM-H 207-2 POM-H-6	400336X020 POM-H 207-2 POM-H-6
13-3	Manifold, Prepped LP (PLPM) (Not Shown)	71019x001 PLPM 207-1 PLPM-6	71019x001 PLPM 207-1 PLPM-6	71019x002 PLPM 207-2 PLPM-6	71019x002 PLPM 207-2 PLPM-6
14-1	Manifold, Prepped Gas (PGM)	402583 PGM3120B PGM-6.3	402584 PGM3125B PGM-6.3	402584 PGM3125B PGM-6.3	402525 PGM3130B PGM-6.3
14-2	Manifold, Prepped Gas (PGM)	401688 PGM3320 PGM-6.4	401689 PGM3325 PGM-6.4	401690 PGM3330 PGM-6.4	401691 PGM3340 PGM-6.4
15	Valve, Manual Shutoff	41611	43912	43912	801386
16	Strainer, Gas	62045	62053	62053	62054
17	Regulator, Gas Pressure	Contact Hauck	Contact Hauck	Contact Hauck	Contact Hauck
+	Recommended Spare Parts				
*	Specify Control System In Use				

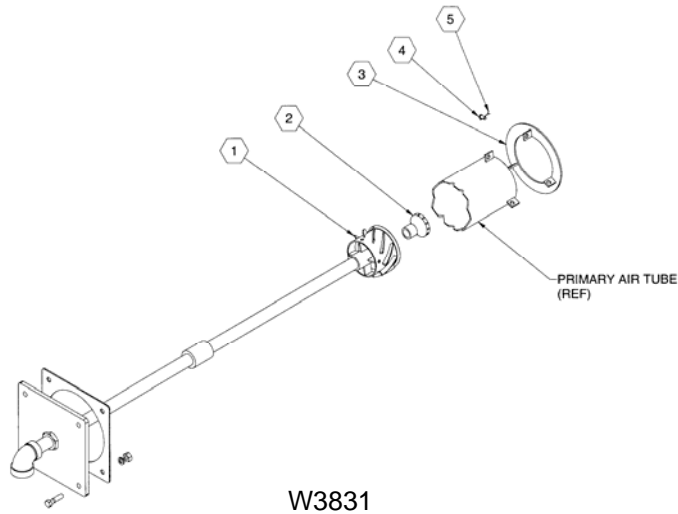
**OIL INSERT SJ075 – SJ260**



W4272  
(NOT TO SCALE)

Key No.	Description	SJ075	SJ150	SJ200	SJ260
1	Valve, Check	44150	44150	44150	44150
2-1	Oil Nozzle Assembly	47503	47503	57818	57818
a	Oil Nozzle	47350	47350	57819	57819
b	Oil Nozzle Deflector	47351	47351	57834	57834
c	Screw, Shoulder	---	---	---	---
2-2	Heavy Oil Nozzle Assembly	---	---	---	---
a	Oil Nozzle	---	---	---	---
b	Oil Nozzle Deflector	---	---	---	---
c	Screw, Shoulder	---	---	---	---

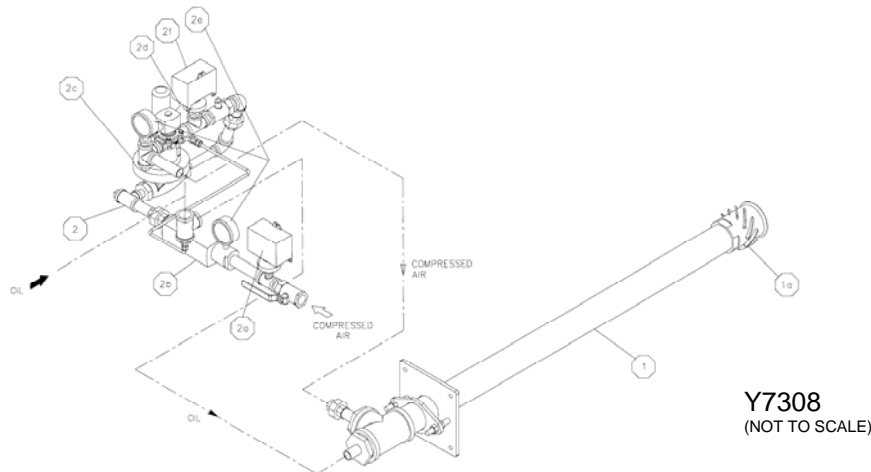
**LP INSERT SJ075 – SJ260**



W3831  
(NOT TO SCALE)

Key					
<u>No.</u>	<u>Description</u>	<u>SJ075</u>	<u>SJ150</u>	<u>SJ200</u>	<u>SJ260</u>
1	Nozzle Assembly, LP	54523	54098	54099	54099
2	Nozzle, LP	54522x001	54102x006	54102x001	54102x004
3	Diverter, Primary Air	---	70123	70123	70123
4	Pin, Clevis	---	70164	70164	70164
5	Pin, Cotter	---	7153x012	7153x012	7153x012

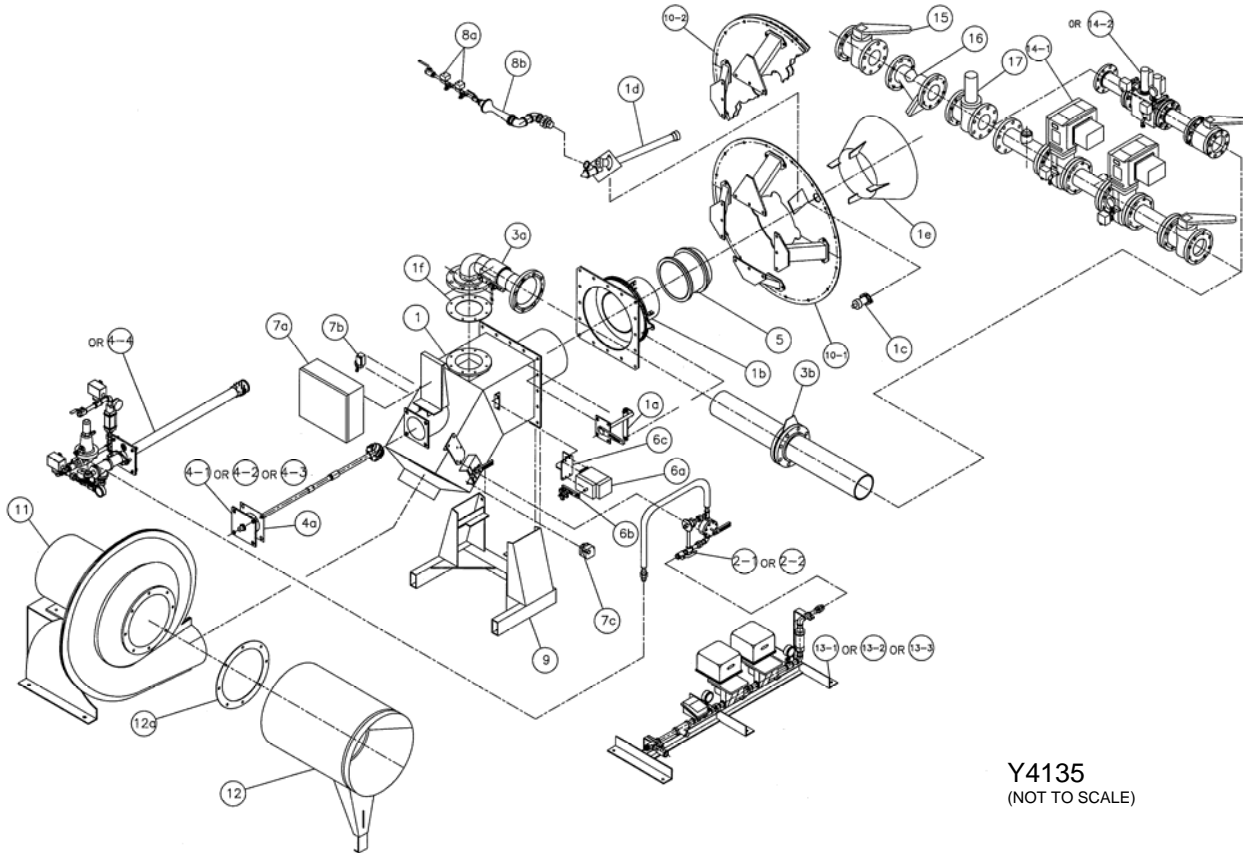
**COMPRESSED AIR MANIFOLD & INSERT SJ150 – SJ260**



Y7308  
(NOT TO SCALE)

Key				
<u>No.</u>	<u>Description</u>	<u>SJ150</u>	<u>SJ200</u>	<u>SJ260</u>
1	Insert Assembly, Compressed Air/Oil	401328	401328	401328
a	Nozzle Assembly	403380	403380	403380
2	Manifold Assembly, Compressed Air W/Regulator	401339x	401340x	401340x
a	Low Supply Pressure Switch	301171	301171	301171
b	Flow Meter	300626	300626	300626
c	Pressure Reducing Regulator	62933	62933	62933
d	Solenoid Valve	63123	63123	63123
e	Pressure Gauge	35971	35971	35971
f.	Low Atomizing Pressure Switch	301172	301172	301172

## OPEN FIRED STARJET BASIC UNIT SJ360 – SJ580

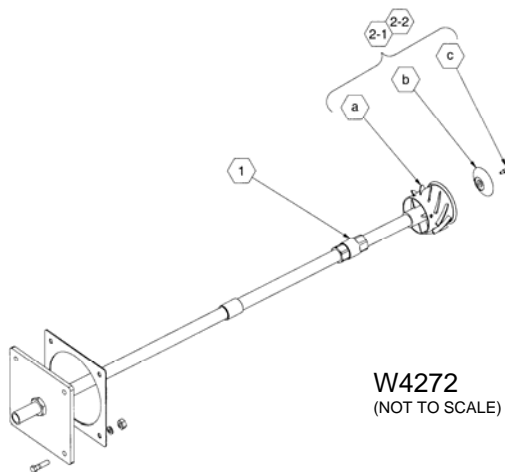


Y4135  
(NOT TO SCALE)

Key No.	Description	SJ360	SJ520	SJ580
1	Burner, Basic	47746	47743	52190
a	Spin Vane Adjustment	46353x003	46353x003	46353x003
b	Nozzle Assembly, Secondary Air Front	47491	47488	52174
c	Adapter Assembly, Flame Scanner	46682	46682	46682
	Ball Retaining Flange	46681	46681	46681
	Scanner Adapter Nut	46685	46685	46685
d	Pilot Assembly, Gas	47782x002	47782x002	47782x002
	RFS Nozzle			
+	Spark Plug Igniter Assembly	47783x002	47783x002	47783x002
e	Flame Holder Assembly	43406	43595	52191
f	Gasket	8860	8860	8860
2-1	Manifold Assembly, Micro Oil Valve	71084	71085	71085
	Micro Valve	16685	16686	16686
	Low Fire Micro Valve	42577	42577	42577
2-2	Manifold Assembly, LP (Not Shown)	71099	71100	71100
	Micro Valve	16938	16939	16939
3	Kit, Gas Valve Metering	72345	72345	72345
a	Manifold Assembly, Gas	72330	72330	72330
	Valve, Butterfly W/Lever & Pointer	48244	48244	48244
b	Meter Assembly, Gas Orifice	54141	54141	54141
4-1	Insert, Oil/Gas	47733	47733	47733

Key No.	Description	SJ360	SJ520	SJ580
4-2	Insert, Heavy Oil/Gas (Not Shown)	400226	400226	400226
4-3	Insert, LP/Gas (Not Shown)	45909x001	45909x002	45909x003
4-4	Insert, Compressed Air/Oil Manifold	401211x	401211x	401485x
	Insert	400287	400287	401482
4a	Gasket, Oil/LP Insert	43415	43415	43415
5	Sleeve Kit, Secondary Air, High & Low High Velocity	70210	70211	70212
	Low Velocity	49979	49980	52182
		45823	45824	52188
6	Kit, Control Motor 3,6,9 & 12 o'clock	72437x001	72437x001	72437x001
a+	Medium Torque Motor	16847	16847	16847
b	Triple Bearing Lever Assembly	401014x003	401014x003	401014x003
c	Motor Mt'g Bracket, 3 & 6 o'clock	72332	72332	72332
7*	Kit, Junction Box	45842x	45842x	45842x
a	Junction Box	40576x	40576x	40576x
	Transformer	40198	40198	40198
	Resistor	15887	15887	15887
b+	Low Fire Limit Switch	20533	20533	20533
c+	Air Pressure Switch	84447832	84447832	84447832
8	Manifold Assembly, Pilot Gas	70814	70814	70814
a+	Valve, Gas Pilot Solenoid	15773	15773	15773
b	Inspirator, Gas-Air	12037	12037	12037
9	Skid, Mini 24" Centerline	43423x001	43423x001	43423x001
	30" Centerline	43423x002	43423x002	43423x002
10-1	Single Heatshield	46876	46876	46876
10-2	Dual Heatshield	46879	46879	46879
11	Blower 24 osi (Use For Gas Firing Only)	TBA-6	TBA-6	TBA-6
		18604xR0761	18604x	N/A
		TBA-24-50x-0	TBA-24-50-0	N/A
	36 osi	44071x	44076x	44076x
		TBA-36-75-0	TBA-36-100-0	TBA-36-100-0
12	Silencer, Blower 24 osi	36076	36073	36074
		SBI-2014	SBI-2014	SBI-2014
	36 osi	36076	36076	36076
		SBI-2014	SBI-2014	SBI-2014
a	Gasket, Silencer	34757	34757	34757
13-1	Manifold, Prepiped Oil (POM)	400336X003	400337X001	400337X001
		POM207-3	POM210	POM210
		POM-6	POM-6	POM-6
13-2	Manifold, Heavy Oil (POM-H) (Not Shown)	400336X030	400337X010	400337X010
		POM-H 207-3	POM-H 210	POM-H 210
		POM-H-6	POM-H-6	POM-H-6
13-3	Manifold, Prepiped LP (PLPM) (Not Shown)	71019x002	71019x002	71022
		PLPM 207-2	PLPM 207-2	PLPM 212
		PLPM-6	PLPM-6	PLPM-6
14-1	Manifold, Prepiped Gas (PGM)	402526	402526	402527
		PGM3140B	PGM3140B	PGM3160B
		PGM-6.3	PGM-6.3	PGM-6.3
14-2	Manifold, Prepiped Gas (PGM)	401691	401692	401692
		PGM3340	PGM3360	PGM3360
		PGM-6.4	PGM-6.4	PGM-6.4
15	Valve, Manual Shutoff	801389	801390	801390
16	Strainer, Gas	62055	62056	62056
17	Regulator, Gas Pressure	Contact Hauck	Contact Hauck	Contact Hauck
+	Recommended Spare Parts			
*	Specify Control System In Use			

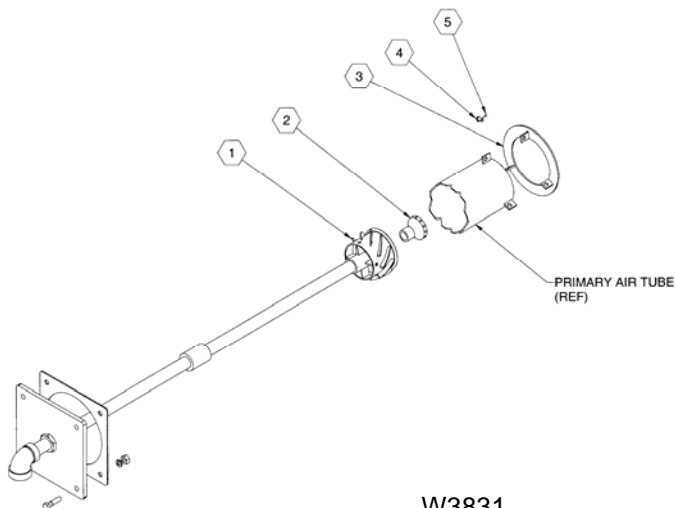
**OIL INSERT SJ360 – SJ580**



W4272  
(NOT TO SCALE)

Key No.	Description	SJ360	SJ520	SJ580
1	Valve, Check	44145		
2-1	Oil Nozzle Assembly	47806		
a	Oil Nozzle	47737		
b	Oil Nozzle Deflector	52059		
c	Screw, Shoulder	7338x003		
2-2	Heavy Oil Nozzle Assembly	52058		
a	Oil Nozzle	52061		
b	Oil Nozzle Deflector	52059		
c	Screw, Shoulder	7338x003		

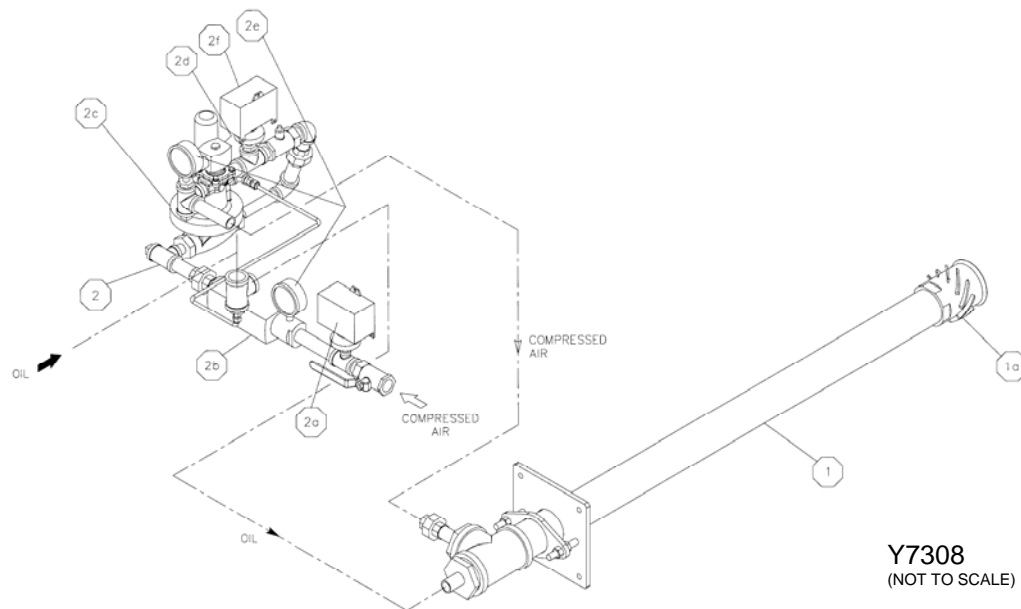
**LP INSERT SJ360 – SJ580**



W3831  
(NOT TO SCALE)

Key No.	Description	SJ360	SJ520	SJ580
1	Nozzle Assembly, LP	54536	54536	54536
2	Nozzle, LP	54537x001	54537x004	54537x005
3	Diverter, Primary Air	70101	70101	70101
4	Pin, Clevis	70164	70164	70164
5	Pin, Cotter	7153x012	7153x012	7153x012

**COMPRESSED AIR MANIFOLD & INSERT SJ360 – SJ580**

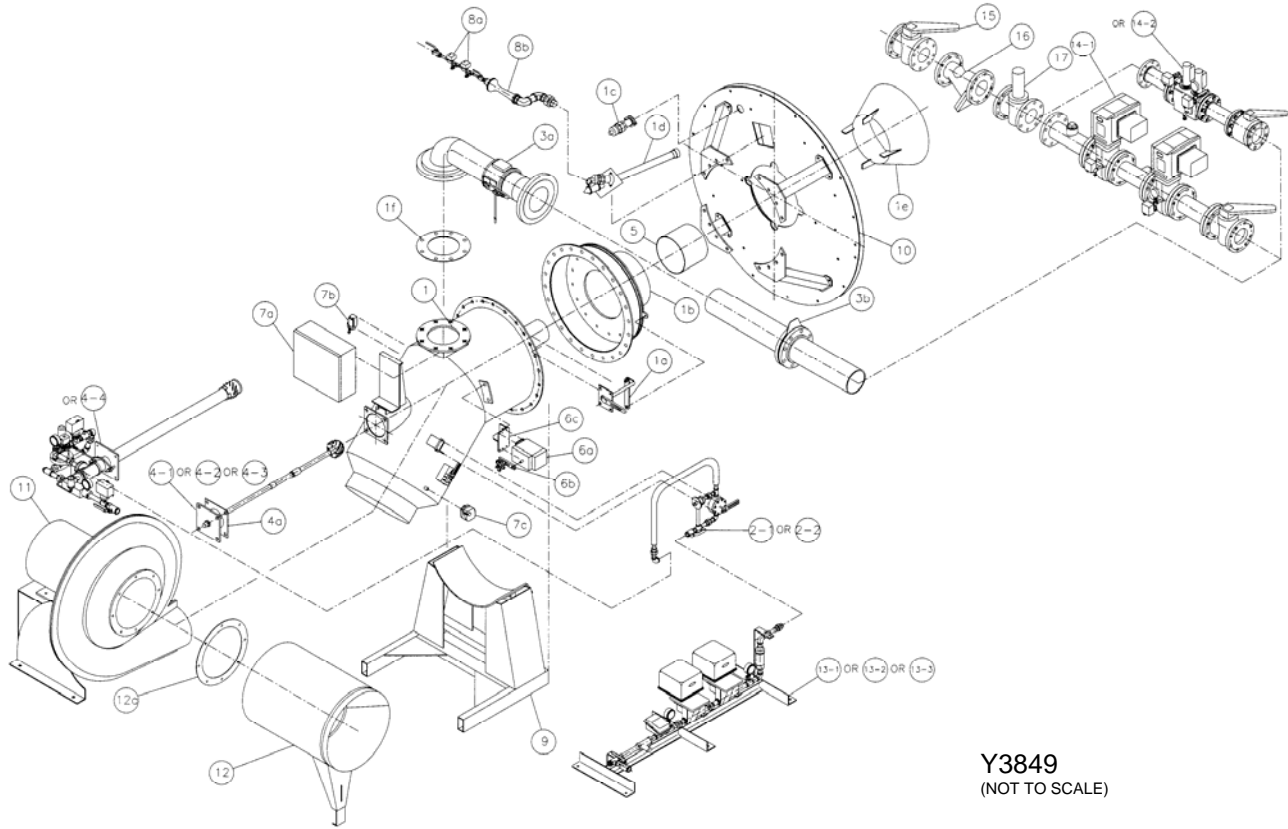


**Key**

<u>No.</u>	<u>Description</u>	<u>SJ360</u>	<u>SJ520</u>	<u>SJ580</u>
1	Insert Assembly, Compressed Air/Oil	400287	400287	401482
a	Nozzle Assembly	403381	403381	403382
2	Manifold Assembly, Compressed Air W/Regulator	400211x	401506x	401485x
a	Low Supply Pressure Switch	301171	301171	301171
b	Flow Meter	62971	62971	62989
c	Pressure Reducing Regulator	62933	62933	62933
d	Solenoid Valve	63123	63123	63124
e	Pressure Gauge	35971	35971	35971
f	Low Atomizing Pressure Switch	301172	301172	301172



## OPEN FIRED STARJET BASIC UNIT SJ750 – SJ980



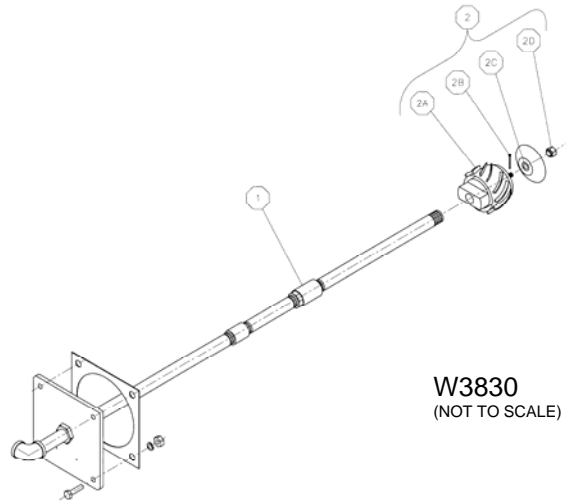
Y3849  
(NOT TO SCALE)

Key No.	Description	SJ750	SJ980
1	Burner, Basic	44533	46339
a	Spin Vane Adjustment	46340	46340
b	Nozzle Assembly, Secondary Air Front	44537	49661
c	Adapter Assembly, Flame Scanner	46682	46682
	Ball Retaining Flange	46681	46681
	Scanner Adapter Nut	46685	46685
d	Pilot Assembly, Gas	48501	48501
	RFS Nozzle		
+	Spark Plug Igniter Assembly	47783x032	47783x032
e	Flame Holder Assembly	44584	49837
f	Gasket	37242	37242
2-1	Manifold Assembly, Oil	71087	71088
	Micro Valve	16686	32563
	Low Fire Micro Valve	42577	42577
2-2	Manifold Assembly, LP (Not Shown)	71101	71101
	Micro Valve	46961	46961
3	Kit, Gas Valve Metering		
	45° & 90°	72346	72348
a	Manifold Assembly, Gas	72331	72341
	Valve, Butterfly W/Lever & Pointer	48523	13152R1480
b	Manifold Assembly, Gas Orifice	54142	54142

Key No.	Description	SJ750	SJ980
4-1	Insert, Oil/Gas	44539	54769
4-2	Insert, Heavy Oil/Gas (Not Shown)	---	---
4-3	Insert, LP/Gas (Not Shown)	46444x001	54770
4-4	Insert, Compressed Air/Oil Manifold	401331x	401331x
	Insert	401320	401341
4a	Gasket, Oil/LP Insert	43415	43415
5	Sleeve Kit, Secondary Air High & Low High Velocity	75663	73508
	Low Velocity	73291	400014
		46233	49830
6	Kit, Control Motor 3 & 6 o'clock	72438x001	72438x001
	9 & 12 o'clock	72438x002	72438x002
a+	High Torque Motor	20627	20627
b	Triple Bearing Lever Assembly	45825	45825
c	Motor Mt'g Bracket, 3 & 6 o'clock	72333x001	72333x001
	Motor Mt'g Bracket, 9 & 12 o'clock	72333x002	72333x002
7*	Kit, Junction Box	45842x	45842x
a	Junction Box	40576x	40576x
	Transformer	40198	40198
	Resistor	15887	15887
b+	Low Fire Limit Switch	20533	20533
c+	Air Pressure Switch	84447832	84447832
8	Manifold Assembly, Pilot Gas	48697	48697
a+	Valve, Gas Pilot Solenoid	15773	15773
b	Inspirator, Gas-Air	12038	12038
9	Skid, Mini 30" Centerline	48081	48081
	35" Centerline	44598	44598
10	Dual Heatshield	46901	46901
11	Blower 36 osi	TBA-6 49972x	TBA-6 44081x
		TBA-36-125-0	TBA-36-150-0
12	Silencer, Blower 36 osi	36858	36858
		SBI-2018	SBI-2018
a	Gasket, Silencer	36973	36973
13-1	Manifold, Prepiped Oil (POM)	400364x001	400364x001
		POM212	POM212
		POM-6	POM-6
13-2	Manifold, Heavy Oil (POM-H) (Not Shown)	400364x010	400364x010
		POM-H 212	POM-H 212
		POM-H-6	POM-H-6
13-3	Manifold, Prepiped LP (PLPM) (Not Shown)	71022	71022
		PLPM 212	PLPM 212
		PLPM-6	PLPM-6
14-1	Manifold, Prepiped Gas (PGM)	402527	402585
		PGM3160B	PGM3160XB
		PGM-6.3	PGM-6.3
14-2	Manifold, Prepiped Gas (PGM)	401692	---
		PGM3360	---
		PGM-6.4	---
15	Valve, Manual Shutoff	801390	801390
16	Strainer, Gas	62056	62056
17	Regulator, Gas Pressure	Contact Hauck	Contact Hauck

+ Recommended Spare Parts  
\* Specify Control System In Use

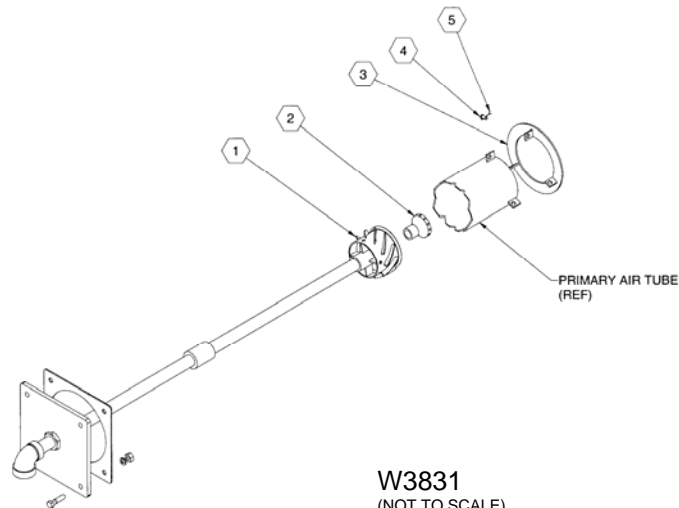
**OIL INSERT SJ750 – SJ980**



W3830  
(NOT TO SCALE)

Key No.	Description	SJ750	SJ980
1	Valve, Check	44146	44146
2	Nozzle Assembly, Primary Air/Oil	53008	54567
a	Nozzle Assembly, Oil	53009	54575
b+	Pin, Cotter 3/32	7361x010	7361x010
c+	Deflector, Oil	53012	53012
d+	Nut, Castle 1/2-13	7360	7360
+ Recommended Spare Parts			

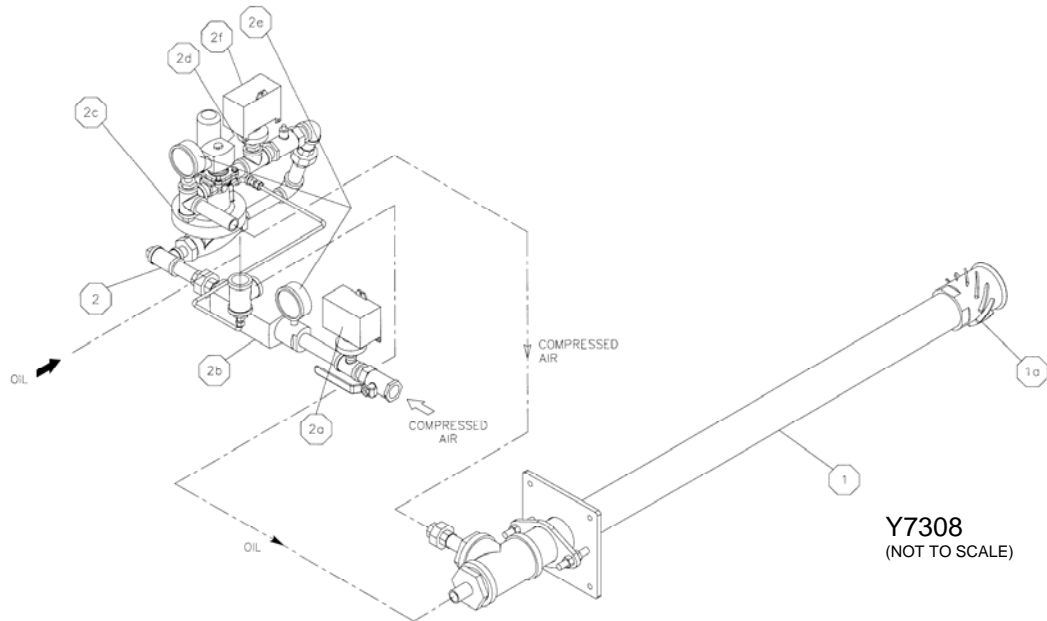
**LP INSERT SJ750 – SJ980**



W3831  
(NOT TO SCALE)

Key No.	Description	SJ750	SJ980
1	Nozzle Assembly, LP	54549	54771
2	Nozzle, LP	54552x001	54552x004
3	Diverter, Primary Air	73455	73469
4	Pin, Clevis	70164	70164
5	Pin, Cotter	7153x012	7153x012

**COMPRESSED AIR MANIFOLD & INSERT SJ750 – SJ980**



**Key**

<u>No.</u>	<u>Description</u>	<u>SJ750</u>	<u>SJ980</u>
1	Insert Assembly, Compressed Air/Oil	401320	401341
a	Nozzle Assembly	403383	403383
2	Manifold Assembly, Compressed Air W/Regulator	401331x	401331x
a	Low Supply Pressure Switch	301171	301171
b	Flow Meter	62989	62989
c	Pressure Reducing Regulator	62933	62933
d	Solenoid Valve	63124	63124
e	Pressure Gauge	35971	35971
f.	Low Atomizing Pressure Switch	301172	301172