



**SPU SUPPLY PUMPING UNIT
LIGHT OIL**

SPU Model No.	Viscosity			
	40 SSU		90 SSU	
	Discharge Pressure			
	50 psig	100 psig	50 psig	100 psig
	(gph)	(gph)	(gph)	(gph)
RP1-56C-1/3-1800	246	216	255	225
GP26-56C-3/4-1200	308	286	313	298
GP26-56C-1-1800	477	455	482	468
GP33-145TC-1 1/2-1200	555	521	564	542
GP33-145TC-1 1/2-1800	860	826	869	847
GP41-145TC-1 1/2-1200	1,070	1,010	1,090	1,060
GP41-182TC-3-1800	1,670	1,610	1,690	1,650

NOTES:

1. Fuel oil flow capacities based on No. 2 fuel oil at a viscosity of 40 SSU and No. 4 fuel oil at a viscosity of 90 SSU with 60Hz power.
2. To calculate maximum Btu/hr throughput, multiply No. 2 fuel oil flow in gallons per hour (gph) by higher heating value (HHV) of 141,146 Btu/gal, or No. 4 fuel oil flow in gph by HHV of 146,130 Btu/gal.
3. For applications where catalogued flow capacities do not meet specific requirements, consult Hauck for information on special design supply pumping units.
4. SPU Model No. designators are as follows: Pump Model – Motor Frame – Motor HP – Pump RPM.

(See Reverse Side for Metric Capacities)

In accordance with Hauck's commitment to Total Quality Improvement, Hauck reserves the right to change the specifications of products without prior notice.

METRIC CAPACITIES

SPU SUPPLY PUMPING UNIT LIGHT OIL

SPU Model No.	Viscosity			
	4.6x10 ⁻⁶ m ² /sec		1.8x10 ⁻⁵ m ² /sec	
	Discharge Pressure			
	345 kPa	690 kPa	345 kPa	690 kPa
	(lph)	(lph)	(lph)	(lph)
RP1-56C-1/3-1800	930	820	965	850
GP26-56C-3/4-1200	1,170	1,080	1,180	1,130
GP26-56C-1-1800	1,810	1,720	1,824	1,770
GP33-145TC-1 1/2-1200	2,100	1,970	2,130	2,050
GP33-145TC-1 1/2-1800	3,260	3,130	3,290	3,210
GP41-145TC-1 1/2-1200	4,050	3,820	4,130	4,010
GP41-182TC-3-1800	6,320	6,090	6,400	6,250

NOTES:

- Fuel oil flow capacities based on No. 2 fuel oil at a viscosity of 4.6x10⁻⁶ m²/sec and No. 4 fuel oil at a viscosity of 1.8x10⁻⁵ m²/sec with 60Hz power.
- To calculate maximum kW throughput, multiply respective fuel oil flow in liters per hour (lph) by lower heating value (LHV) in MJ/liter, and by 0.2778 kW/MJ; LHV for No. 2 fuel oil is 36.99 MJ/liter, and for No. 4 fuel oil is 38.37 MJ/liter.
- For applications where catalogued flow capacities do not meet specific requirements, consult Hauck for information on special design supply pumping units.
- SPU Model No. designators are as follows: Pump Model – Motor Frame – Motor HP – Pump RPM.



**SPU SUPPLY PUMPING UNIT
HEAVY/RECYCLED OIL**

SPU Model No.	Viscosity			
	90 SSU		2000 SSU	
	Discharge Pressure			
	50 psig	100 psig	50 psig	100 psig
	(gph)	(gph)	(gph)	(gph)
GP26-182TC-1-900	228	214	236	231
GP26-145TC-1-1200	313	298	321	315
GP33-182TC-1-900	412	390	425	417
GP33-184TC-2-1200	565	542	578	570
GP41-184TC-2-900	795	756	829	816
GP41-213TC-3-1200	1,100	1,060	1,130	1,110
HD51-184TC-5-930	1,900	1,790	1,990	1,960

NOTES:

1. Fuel oil flow capacities based on No. 5, No.6, or recycled fuel oil heated to a viscosity of 90 SSU, and No.6 fuel oil at or heated to a viscosity of 2000 SSU with 60Hz power.
2. To calculate maximum Btu/hr throughput, multiply No. 5 fuel oil flow in gallons per hour (gph) by higher heating value HHV of 149,943 Btu/gal, or No. 6 fuel oil flow in gph by HHV of 157,174 Btu/gal or recycled oil flow in gph by HHV from fuel supplier.
3. Supply pumping units for heavy/recycled oil have special wear resistant internals not found in supply pumping units for light oil.
4. For applications where catalogued flow capacities do not meet specific requirements, consult Hauck for information on special design supply pumping units.
5. SPU Model No. designators are as follows: Pump Model – Motor Frame – Motor HP – Pump RPM.

(See Reverse Side for Metric Capacities)

In accordance with Hauck's commitment to Total Quality Improvement, Hauck reserves the right to change the specifications of products without prior notice.

METRIC CAPACITIES

SPU SUPPLY PUMPING UNIT HEAVY/RECYCLED OIL

SPU Model No.	Viscosity			
	1.8x10 ⁻⁵ m ² /sec		4.3x10 ⁻⁴ m ² /sec	
	Discharge Pressure			
	345 kPa	690 kPa	345 kPa	690 kPa
	(lph)	(lph)	(lph)	(lph)
GP26-182TC-1-900	863	810	893	874
GP26-145TC-1-1200	1,180	1,130	1,210	1,190
GP33-182TC-1-900	1,560	1,480	1,610	1,580
GP33-184TC-2-1200	2,140	2,050	2,190	2,160
GP41-184TC-2-900	3,010	2,860	3,140	3,090
GP41-213TC-3-1200	4,160	4,010	4,280	4,200
HD51-184TC-5-930	7,190	6,780	7,530	7,420

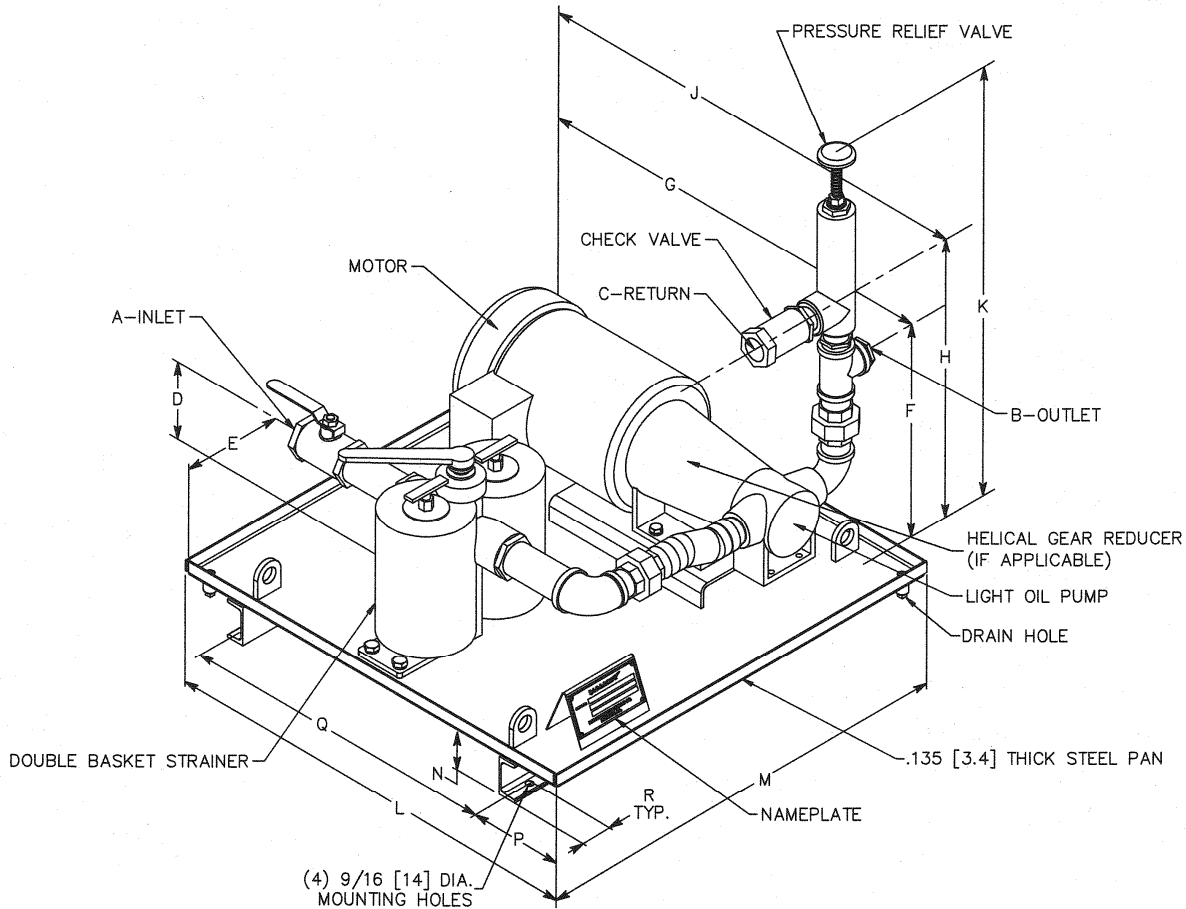
NOTES:

1. Fuel oil flow capacities based on No. 5, No. 6, or recycled fuel oil heated to a viscosity of 1.8x10⁻⁵ m²/sec and No. 6 fuel oil at or heated to a viscosity of 4.3x10⁻⁴ m²/sec with 60Hz power.
2. To calculate maximum kW throughput, multiply respective fuel oil flow in liters per hour (lph) by lower heating value (LHV) in MJ/liter, and by 0.2778 kW/MJ; LHV for No. 5 fuel oil is 39.65 MJ/liter, and for No. 6 fuel oil is 41.27 MJ/liter - consult supplier for LHV of recycled oil.
3. Supply pumping units for heavy/recycled oil have special wear resistant internals not found in supply pumping units for light oil.
4. For applications where catalogued flow capacities do not meet specific requirements, consult Hauck for information on special design supply pumping units.
5. SPU Model No. designators are as follows: Pump Model – Motor Frame – Motor HP – Pump RPM.



DIMENSIONS

SPU SUPPLY PUMPING UNITS LIGHT OIL



NOTE:

1. ALL DIMENSIONS ARE IN INCHES [MM]; PIPE CONNECTIONS ARE IN NPT [DN].
2. ALL VERTICAL DIMENSIONS REFERENCED FROM TOP SURFACE OF PAN;
ALL HORIZONTAL DIMENSIONS REFERENCED FROM OUTSIDE SURFACE OF PAN.
3. DO NOT USE FOR CONSTRUCTION PURPOSES; CERTIFIED DRAWINGS AVAILABLE AT TIME OF SHIPMENT.

Y7212
(NOT TO SCALE)

DIMENSIONS, LIGHT OIL

MODEL NO.	A	B	C	D	E	F	G	H	J	K	L	M	N	P	Q	R
SPU-RP1-56C-1/3-1800	1 NPT	1 NPT	3/4 NPT	5	8 3/8	14 1/8	27 1/2	18 7/8	27 1/2	26 7/8	34	34	3	5 1/4	23 5/8	2
SPU-GP26-56C-3/4-1200	1 NPT	1 NPT	3/4 NPT	5	8 3/8	14 3/8	27 1/2	19	27 1/2	26 7/8	34	34	3	4 1/2	25	2
SPU-GP26-56C-1-1800	1 NPT	1 NPT	3/4 NPT	5	8 3/8	14 3/8	27 1/2	19	27 1/2	26 7/8	34	34	3	4 1/2	25	2
SPU-GP33-145TC-1 1/2-1200	1 1/4 NPT	1 NPT	1 NPT	6 13/16	8 3/4	15 7/8	28 1/2	20 7/8	28 1/2	28 1/8	34	34	3	5 1/4	23 5/8	2
SPU-GP33-145TC-1 1/2-1800	1 1/4 NPT	1 NPT	1 NPT	6 13/16	8 3/4	16 5/8	27 3/8	21 5/8	27 3/8	28 7/8	34	34	3	4 1/2	25	2
SPU-GP41-145TC-1 1/2-1200	2 NPT	1 1/4 NPT	1 1/4 NPT	8 1/4	10 5/8	15 1/2	29 1/8	20 3/4	29 1/8	32 3/4	34	34	3	4 1/2	25	2
SPU-GP41-182TC-3-1800	2 NPT	1 1/4 NPT	1 1/4 NPT	8 1/4	10 5/8	15 1/2	29 1/8	20 3/4	29 1/8	32 3/4	34	34	3	4 1/2	25	2

METRIC DIMENSIONS, LIGHT OIL

MODEL NO.	A	B	C	D	E	F	G	H	J	K	L	M	N	P	Q	R
SPU-RP1-56C-1/3-1800	DN 25	DN 25	DN 20	127	171	359	699	479	699	683	864	864	76	133	600	51
SPU-GP26-56C-3/4-1200	DN 25	DN 25	DN 20	127	184	365	699	483	699	683	864	864	76	114	635	51
SPU-GP26-56C-1-1800	DN 25	DN 25	DN 20	127	184	365	699	483	699	683	864	864	76	114	635	51
SPU-GP33-145TC-1 1/2-1200	DN 32	DN 25	DN 25	173	216	403	724	530	724	714	864	864	76	133	600	51
SPU-GP33-145TC-1 1/2-1800	DN 32	DN 25	DN 25	173	216	422	695	549	695	733	864	864	76	114	635	51
SPU-GP41-145TC-1 1/2-1200	DN 50	DN 32	DN 32	210	203	394	740	527	740	832	864	864	76	114	635	51
SPU-GP41-182TC-3-1800	DN 50	DN 32	DN 32	210	203	394	740	527	740	832	864	864	76	114	635	51

In accordance with Hauck's commitment to Total Quality Improvement, Hauck reserves the right to change the specifications of products without prior notice.

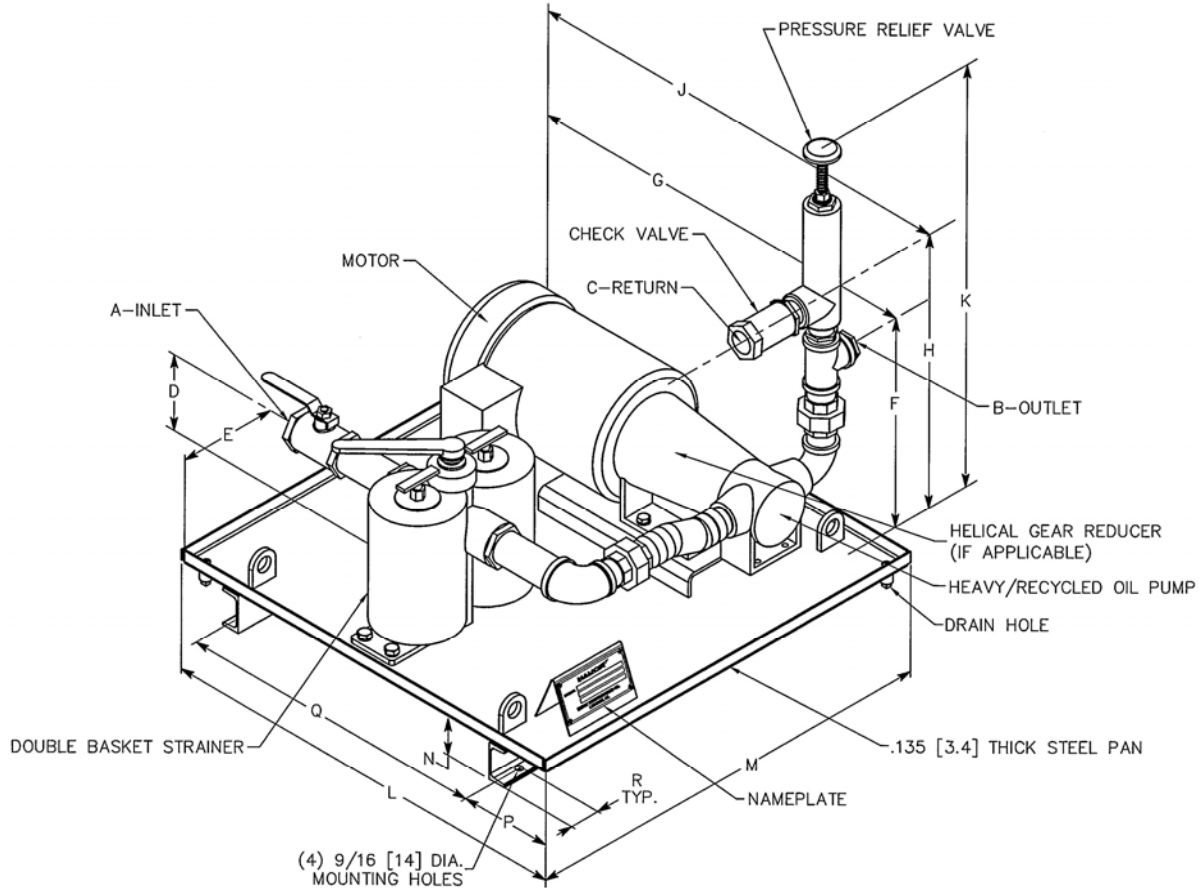
HAUCK MANUFACTURING CO., P.O. Box 90 Lebanon, PA 17042-0090 717-272-3051

This page left intentionally blank.



DIMENSIONS

SPU SUPPLY PUMPING UNIT HEAVY/RECYCLED OIL



NOTE:

1. ALL DIMENSIONS ARE IN INCHES [MM]; PIPE CONNECTIONS ARE IN NPT [DN].
2. ALL VERTICAL DIMENSIONS REFERENCED FROM TOP SURFACE OF PAN;
ALL HORIZONTAL DIMENSIONS REFERENCED FROM OUTSIDE SURFACE OF PAN.
3. DO NOT USE FOR CONSTRUCTION PURPOSES; CERTIFIED DRAWINGS AVAILABLE AT TIME OF SHIPMENT.

Y7343
(NOT TO SCALE)

DIMENSIONS, RECYCLED OIL

MODEL NO.	A	B	C	D	E	F	G	H	J	K	L	M	N	P	Q	R
SPU-GP26-182TC-1-900	1 NPT	1 NPT	3/4 NPT	5	8 3/8	15 3/8	27 3/8	20 1/8	27 3/8	28 1/8	34	34	3	5 1/4	23 1/2	2
SPU-GP26-145TC-1-1200	1 NPT	1 NPT	3/4 NPT	5	8 3/8	14 3/8	27 1/2	19	27 1/2	26 7/8	34	34	3	4 1/2	25	2
SPU-GP33-182TC-1-900	1 1/4 NPT	1 NPT	1 NPT	6 13/16	8 3/4	16 5/8	28 1/2	21 5/8	28 1/2	28 7/8	34	34	3	5 1/4	23 1/2	2
SPU-GP33-184TC-2-1200	1 1/4 NPT	1 NPT	1 NPT	6 13/16	8 3/4	16 5/8	27 3/8	21 5/8	27 3/8	28 7/8	34	34	3	4 1/2	25	2
SPU-GP41-184TC-2-900	1 1/2 NPT	1 NPT	1 NPT	6 7/8	8 3/4	17 3/8	29 1/8	22 5/8	29 1/8	29 7/8	34	34	3	5 1/4	23 1/2	2
SPU-GP41.1-213TC-3-1200	1 1/2 NPT	1 NPT	1 NPT	6 13/16	8 3/4	17 3/8	29 3/16	22 5/8	29 3/16	29 7/8	34	34	3	4 1/2	25	2
SPU-GP41.2-213TC-3-1200	2 NPT	1 1/4 NPT	1 1/4 NPT	8 1/4	10 5/8	15 1/2	29 1/8	20 3/4	29 1/8	32 3/4	34	34	3	4 1/2	25	2
SPU-HD51-254TC-5-930	2 NPT	1 1/2 NPT	1 1/4 NPT	8 1/4	12 1/4	16 3/4	41 1/2	21 1/4	41 1/2	33 1/4	46	44	3	2	42	8

METRIC DIMENSIONS, RECYCLED OIL

MODEL NO.	A	B	C	D	E	F	G	H	J	K	L	M	N	P	Q	R
SPU-GP26-182TC-1-900	DN 25	DN 25	DN 20	127	184	390	695	511	695	714	864	864	76	133	597	51
SPU-GP26-145TC-1-1200	DN 25	DN 25	DN 20	127	184	365	699	483	699	683	864	864	76	114	635	51
SPU-GP33-182TC-1-900	DN 32	DN 25	DN 25	173	216	422	724	549	724	733	864	864	76	133	597	51
SPU-GP33-184TC-2-1200	DN 32	DN 25	DN 25	173	216	422	695	549	695	733	864	864	76	114	635	51
SPU-GP41-184TC-2-900	DN 40	DN 25	DN 25	175	216	441	740	575	740	759	864	864	76	133	597	51
SPU-GP41.1-213TC-3-1200	DN 40	DN 25	DN 25	173	216	441	741	575	741	759	864	864	76	114	635	51
SPU-GP41.2-213TC-3-1200	DN 50	DN 32	DN 32	210	203	394	740	527	740	832	864	864	76	114	635	51
SPU-HD51-254TC-5-930	DN 50	DN 40	DN 32	210	308	425	1054	540	1054	845	1168	1118	76	51	1067	203

In accordance with Hauck's commitment to Total Quality Improvement, Hauck reserves the right to change the specifications of products without prior notice.

This page left intentionally blank.



**SPU SUPPLY PUMPING UNIT
LIGHT OIL SELECTION FOR ASPHALT BURNERS**

ECO-STAR BURNERS

BURNER			SPU	
Model No.	Capacity (MM Btu/hr)	Light Oil Flow (gph)	Model No.	Light Oil Flow (gph)
ES 25	25	177	GP26-56C-3/4-1200	286
50	50	354	GP26-56C-1-1800	455
ESII 75	75	531	GP33-145TC-1 1/2-1800	826
100	100	708	GP33-145TC-1 1/2-1800	826
125	125	886	GP41-145TC-1 1/2-1200	1,010
150	150	1,060	GP41-182TC-3-1800	1,610
175	175	1,240	GP41-182TC-3-1800	1,610
200	200	1,420	GP41-182TC-3-1800	1,610

STARJET BURNERS

BURNER			SPU	
Model No.	Capacity (MM Btu/hr)	Light Oil Flow (gph)	Model No.	Light Oil Flow (gph)
SJ 075	15.2	108	RP1-56C-1/3-1800	216
150	27.9	198	GP26-56C-3/4-1200	286
200	40.5	287	GP26-56C-1-1800	455
260	49.3	349	GP26-56C-1-1800	455
360	75.6	536	GP33-145TC-1 1/2-1800	826
520	96.8	686	GP33-145TC-1 1/2-1800	826
580	120	850	GP41-145TC-1 1/2-1200	1,010
750	150	1,060	GP41-182TC-3-1800	1,610
980	200	1,420	GP41-182TC-3-1800	1,610

NOTES:

1. Burner capacities based on No. 2 fuel oil at a HHV of 141,146 Btu/gal, 35% excess air, and a stoichiometric ratio of 1371.1 ft³ air/gal No. 2 fuel oil.
2. SPU light oil flows based on No. 2 fuel oil at a viscosity of 40 SSU, and pump discharge pressure of 100 psig.

(See Reverse Side for Metric Data)

In accordance with Hauck's commitment to Total Quality Improvement, Hauck reserves the right to change the specifications of products without prior notice.

METRIC DATA

SPU SUPPLY PUMPING UNIT LIGHT OIL SELECTION FOR ASPHALT BURNERS

ECO-STAR BURNERS

BURNER			SPU	
Model No.	Capacity (MW)	Light Oil Flow (lph)	Model No.	Light Oil Flow (lph)
ES 25	6.6	670	GP26-56C-3/4-1200	1,080
50	13.2	1,340	GP26-56C-1-1800	1,720
ESII 75	19.8	2,010	GP33-145TC-1 1/2-1800	3,130
100	26.5	2,680	GP33-145TC-1 1/2-1800	3,130
125	33.1	3,350	GP41-145TC-1 1/2-1200	3,820
150	39.7	4,010	GP41-182TC-3-1800	6,090
175	46.3	4,690	GP41-182TC-3-1800	6,090
200	52.9	5,370	GP41-182TC-3-1800	6,090

STARJET BURNERS

BURNER			SPU	
Model No.	Capacity (kW)	Light Oil Flow (lph)	Model No.	Light Oil Flow (lph)
SJ 075	4.0	409	RP1-56C-1/3-1800	820
150	7.4	749	GP26-56C-3/4-1200	1,080
200	10.7	1,090	GP26-56C-1-1800	1,720
260	13.1	1,320	GP26-56C-1-1800	1,720
360	20.1	2,030	GP33-145TC-1 1/2-1800	3,130
520	25.7	2,600	GP33-145TC-1 1/2-1800	3,130
580	31.7	3,220	GP41-145TC-1 1/2-1200	3,820
750	39.9	4,010	GP41-182TC-3-1800	6,090
980	53.2	5,370	GP41-182TC-3-1800	6,090

NOTES:

- Burner capacities based on No. 2 fuel oil at a LHV of 36.99 MJ/liter, 35% excess air and a stoichiometric ratio of 9.70 nm³ air/liter No. 2 fuel oil.
- SPU light oil flows based on No. 2 fuel oil at a viscosity of 4.6x10⁻⁶ m²/sec, and pump discharge pressure of 690 kPa.



**SPU SUPPLY PUMPING UNIT
HEAVY/RECYCLED OIL
SELECTION FOR ASPHALT BURNERS**

ECO-STAR BURNERS

BURNER			SPU	
Model No.	Capacity (MM Btu/hr)	Heavy/Recycled Oil Flow (gph)	Model No.	Heavy/Recycled Oil Flow (gph)
ES 25	25	159	GP26-145TC-1-1200	298
50	50	318	GP33-184TC-2-1200	542
ESII 75	75	477	GP41.1-213TC-3-1200	1,060
100	100	636	GP41.1-213TC-3-1200	1,060
125	125	795	GP41.2-213TC-3-1200	1,060
150	150	954	HD51-184TC-5-930	1,790
175	175	1,110	HD51-184TC-5-930	1,790
200	200	1,270	HD51-184TC-5-930	1,790

STARJET BURNERS

BURNER			SPU	
Model No.	Capacity (MM Btu/hr)	Heavy/Recycled Oil Flow (gph)	Model No.	Heavy/Recycled Oil Flow (gph)
SJ 075	15.2	101	GP26-182TC-1-900	214
150	27.9	186	GP26-145TC-1-1200	298
200	40.5	270	GP33-184TC-2-1200	542
260	49.3	329	GP33-184TC-2-1200	542
360	75.6	504	GP41.1-213TC-3-1200	1,060
520	96.8	646	GP41.1-213TC-3-1200	1,060
580	120	800	GP41.2-213TC-3-1200	1,060
750	150	1,000	HD51-184TC-5-930	1,790
980	200	1,330	HD51-184TC-5-930	1,790

NOTES:

1. Burner capacities based on No. 5 fuel oil at a HHV of 149,943 Btu/gal, 35% excess air, and a stoichiometric ratio of 1464.8 ft³ air/gal No. 5 fuel oil.
2. SPU heavy/recycled oil flows based on fuel oil at a viscosity of 90 SSU, and pump discharge pressure of 100 psig.

(See Reverse Side for Metric Data)

In accordance with Hauck's commitment to Total Quality Improvement, Hauck reserves the right to change the specifications of products without prior notice.

**METRIC
DATA**

**SPU SUPPLY PUMPING UNIT
HEAVY/RECYCLED OIL
SELECTION FOR ASPHALT BURNERS**

ECO-STAR BURNERS

BURNER			SPU	
Model No.	Capacity (MW)	Heavy/Recycled Oil Flow (lph)	Model No.	Heavy/Recycled Oil Flow (lph)
ES 25	6.6	602	GP26-145TC-1-1200	1,130
50	13.2	1,200	GP33-184TC-2-1200	2,050
ESII 75	19.8	1,810	GP41.1-213TC-3-1200	4,010
100	26.5	2,410	GP41.1-213TC-3-1200	4,010
125	33.1	3,010	GP41.2-213TC-3-1200	4,010
150	39.7	3,610	HD51-184TC-5-930	6,780
175	46.3	4,200	HD51-184TC-5-930	6,780
200	52.9	4,810	HD51-184TC-5-930	6,780

STARJET BURNERS

BURNER			SPU	
Model No.	Capacity (kW)	Heavy/Recycled Oil Flow (lph)	Model No.	Heavy/Recycled Oil Flow (lph)
SJ 075	4.0	382	GP26-182TC-1-900	810
150	7.4	704	GP26-145TC-1-1200	1,130
200	10.7	1,020	GP33-184TC-2-1200	2,050
260	13.1	1,250	GP33-184TC-2-1200	2,050
360	20.1	1,910	GP41.1-213TC-3-1200	4,010
520	25.7	2,450	GP41.1-213TC-3-1200	4,010
580	31.7	3,030	GP41.2-213TC-3-1200	4,010
750	39.9	3,790	HD51-184TC-5-930	6,780
980	53.2	5,030	HD51-184TC-5-930	6,780

NOTES:

1. Burner capacities based on No. 5 fuel oil at a LHV of 36.65 MJ/liter, 35% excess air and a stoichiometric ratio of 10.4 nm³ air/liter No. 5 fuel oil.
2. SPU heavy/recycled oil flows based on fuel oil at a viscosity of 1.8x10⁻⁵ m²/sec, and pump discharge pressure of 690 kPa.