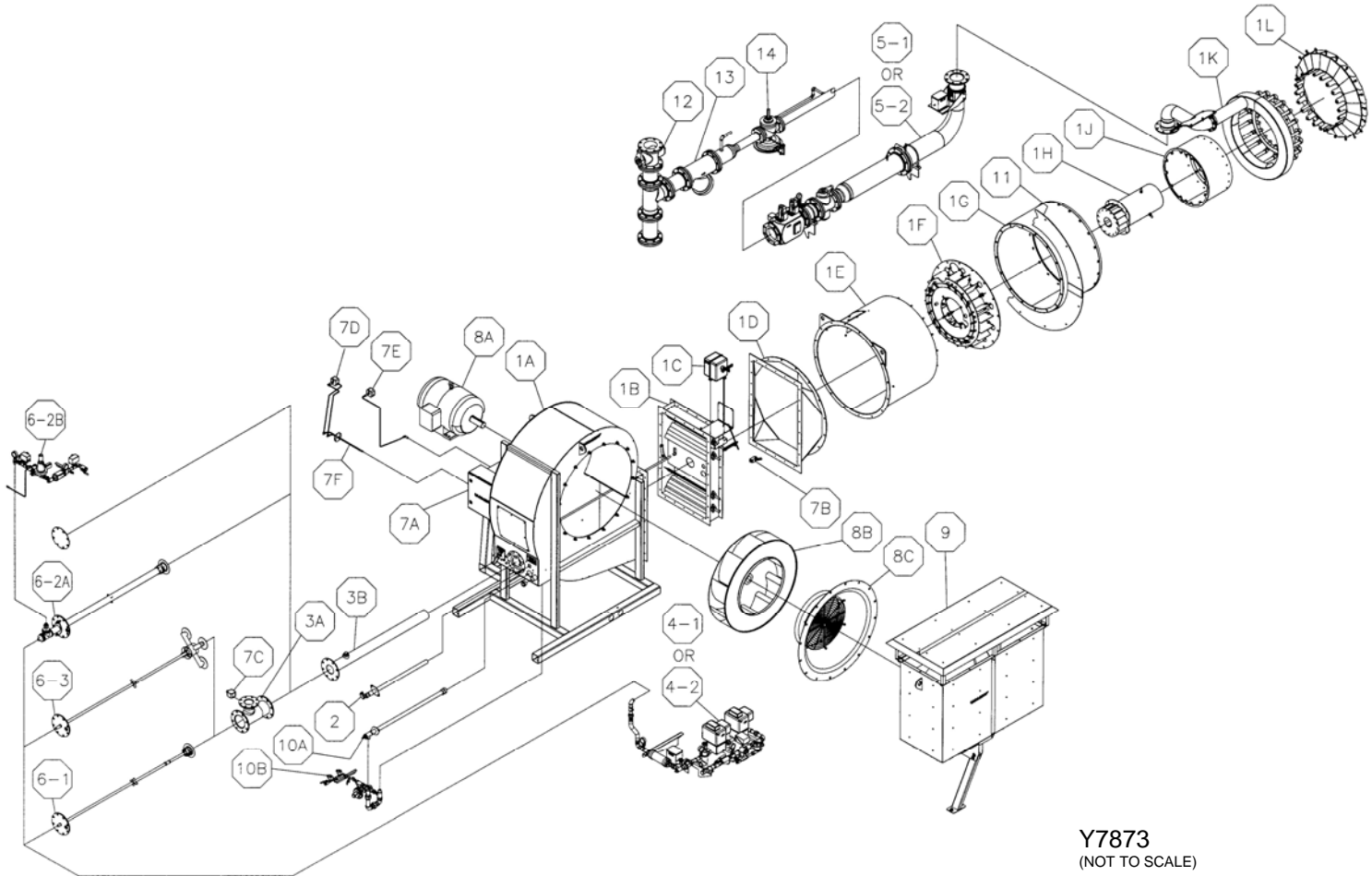




PARTS LIST

ECO-STARITM BURNER ESII-75B – ESII-150B



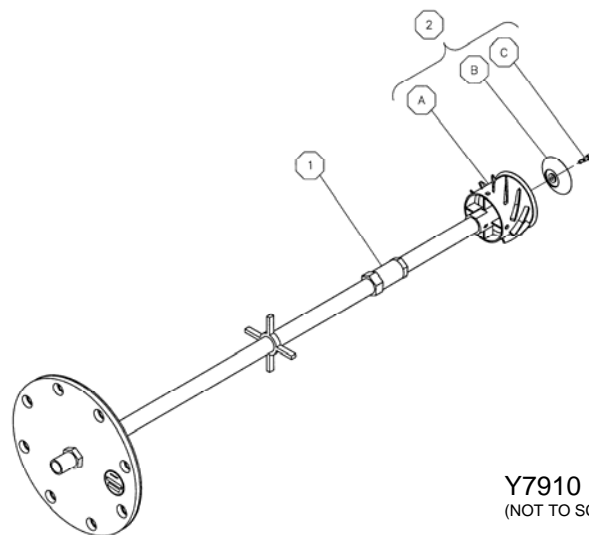
Y7873
(NOT TO SCALE)

Key

No.	Description	ESII-75B	ESII-100B	ESII-125B	ESII-150B
1	Body Assembly, Burner	403834	403834	403279	403279
A	Housing Assembly, Air	403806	403806	403281	403281
B	Damper Assembly, Outlet	403829	403829	403302	403302
C	Control Motor	20627	20627	20627	20627
D	Transition Assembly	75193	75193	75371	75371
E	Cooling Air Jacket, Rear	403708	403708	403306	403306
F	Spin Vane Assembly	403711	403711	403309	403309
G	Cooling Air Jacket, Front	403570	403570	403785	403785
H	Tube Assembly, Secondary Air	403722	403722	403318	403318
J	Tube Assembly, Flame	403724	403724	403776	403776
K	Insert, Gas	403733	403733	403327	403327
L	Flame Cone Segments	403572	403572	403787	403787
2	Scanner Assembly, Pilot & Main Flame	75259x001	75259x001	75259x003	75259x003
3	Primary Air				
A	Tee Assembly, Primary Air	75269	75269	75269	75269
B	Tube Assembly, Primary Air	75260x001	75260x001	75260x003	75260x003

Key No.	Description	ESII-75B	ESII-100B	ESII-125B	ESII-150B
4-1	Manifold Assembly, Oil	403379	403586	403376	403376
	Manifold Assembly, Oil W/Heavy Oil Kit	403379x001	403586x001	403376x001	403376x001
4-2	Manifold Assembly, LP	404081	404082	404083	404083
5-1	Manifold Assembly, Gas	403848	403848	403362	403362
5-2	Manifold Assembly L/SSOV, Gas	403469	403469	403468	403468
6-1	Insert, Oil	75270	75270	75413	75413
6-2	Insert/Manifold, Compressed Air/Oil				
A	Insert, Compressed Air/Oil	75581	75581	75639	75639
B	Manifold, Compressed Air/Oil	76004	76004	75946	75946
6-3	Insert, LP	75272x001	75272x002	75414	75414
7	Control Switches, Junction Box				
A	Junction Box	73349x	73349x	73349x	73349x
B	Low Fire Limit Switch	20533	20533	20533	20533
C	Primary Air Pressure Switch	84447832	84447832	84447832	84447832
D	Purge Air Pressure Switch	84447812	84447812	84447812	84447812
E	Secondary Air Pressure Switch	84447822	84447822	84447822	84447822
F	Pitot Tube Assembly	75262	75262	75262	75262
8	Fan Assembly (ODP)	403399x002	403401x002	403402x002	403404x002
	Fan Assembly (TEFC)	403399x003	403401x003	403402x003	403404x004
A	Motor (ODP)	20672	20671	20671	61583
	Motor (TEFC)	300025	63229	63229	63230
B	Impeller (ODP)	62876	59904	62861	62860
	Impeller (TEFC)	62876	59904	62861	63231
C	Inlet Cone Assembly	403400	403400	403403	403403
9	Attenuator Assembly	403501	403501	403503	403503
10	Pilot Assembly/Manifold				
A	Pilot Assembly	75285x001	75285x001	75285x003	75285x003
B	Pilot Manifold	403835	403835	403304	403304
11	Companion Flange	56548x001	56548x001	56549x008	56549x008
12	Valve, Isolation	63162	63163	63163	63163
13	Strainer	62055	62056	62056	62056
14	Regulator, Gas Pressure	20359	20359	20359	20378

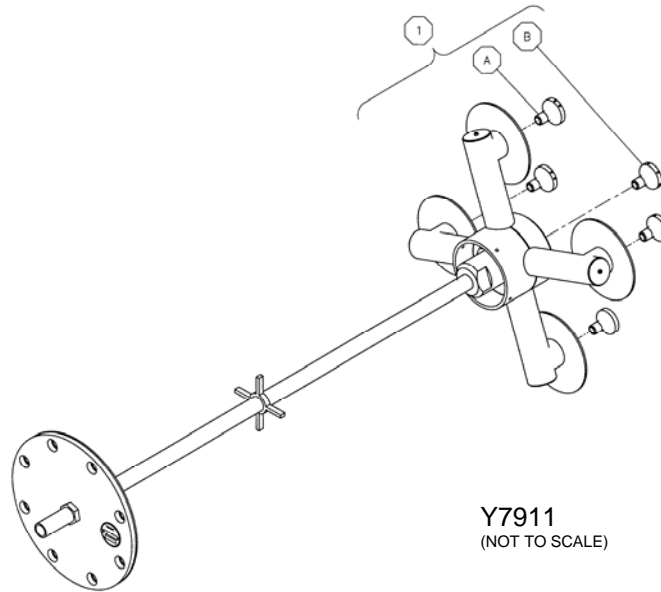
OIL INSERT ESII-75B – ESII-150B



Y7910
(NOT TO SCALE)

Key No.	Description	ESII-75B	ESII-100B	ESII-125B	ESII-150B
1	Valve, Check	44145	44145	44145	44145
2	Nozzle Assembly, Oil	47806	47806	47806	47806
A	Oil Nozzle	47737	47737	47737	47737
B	Oil Nozzle Deflector	52059	52059	52059	52059
C	Screw, Shoulder	7338x003	7338x003	7338x003	7338x003

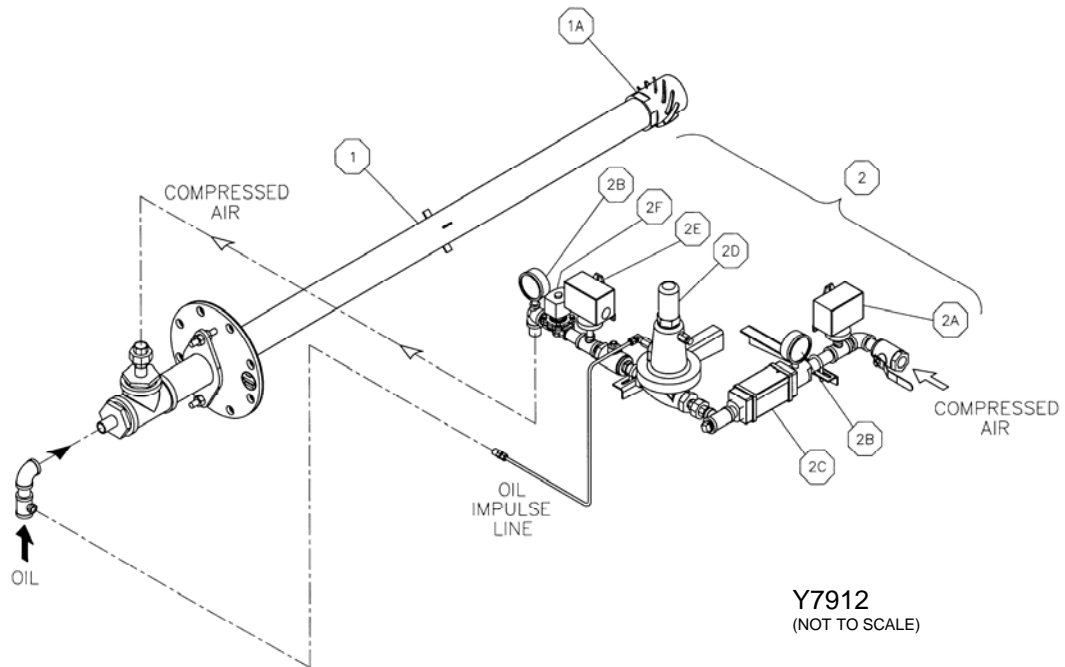
LP INSERT ESII-75B – ESII-150B



Y7911
(NOT TO SCALE)

Key No.	Description	ESII-75B	ESII-100B	ESII-125B	ESII-150B
1	Nozzle Assembly, LP	73077x001	73077x002	73070	73070
A	LP Nozzle, Outer	73080x003	73080x001	73066x001	73066x001
B	LP Nozzle, Center	73080x002	73080x002	73066x002	73066x002

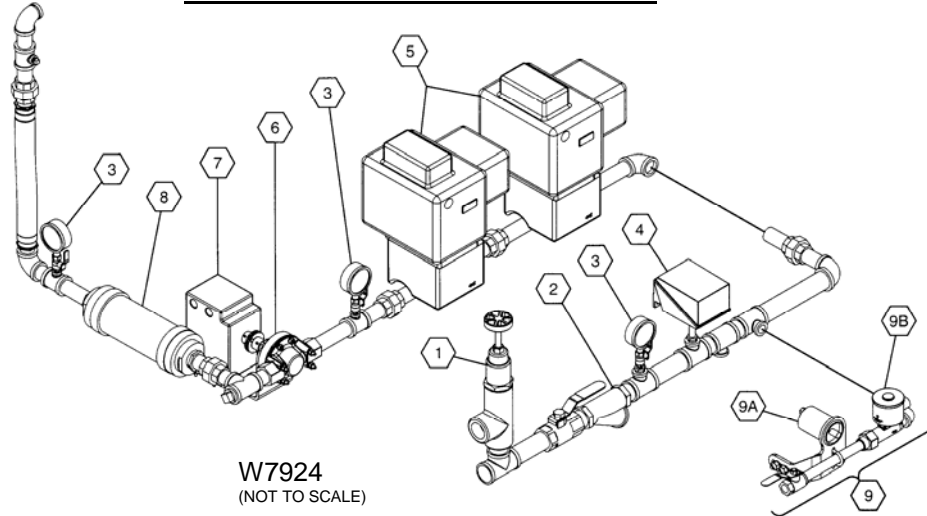
COMPRESSED AIR MANIFOLD & INSERT ESII-75B – ESII-150B



Y7912
(NOT TO SCALE)

Key No.	Description	ESII-75B	ESII-100B	ESII-125B	ESII-150B
1	Insert Assembly, Compressed Air/Oil	75581	75581	75639	75639
A	Nozzle Assembly	75575	75575	75642	75642
2	Manifold Assembly, Compressed Air	76004	76004	75946	75946
A	Low Supply Pressure Switch	301171	301171	301171	301171
B	Pressure Gauge	35971	35971	35971	35971
C	Flow Meter	62971	62971	62989	62989
D	Regulator, Pressure Reducing	62933	62933	62933	62933
E	Low Atomizing Pressure Switch	301172	301172	301172	301172
F	Valve, Solenoid	63123	63123	63124	63124

OIL MANIFOLD ESII-75B – ESII-150B

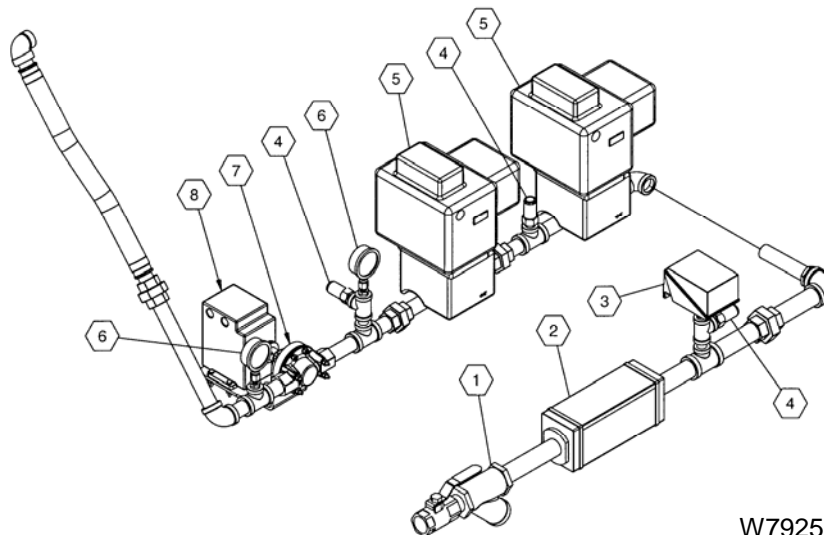


W7924
(NOT TO SCALE)

Key

<u>No.</u>	<u>Description</u>	<u>ESII-75B</u>	<u>ESII-100B</u>	<u>ESII-125B</u>	<u>ESII-150B</u>
1	Valve, Relief	61163	61159	61164	61164
2	Strainer	16344	20515	20516	20516
3	Pressure Gauge	35971	35971	35971	35971
4	Low/High Pressure Switch	303133	303133	303133	303133
5	Valve, Automatic Shutoff	60023	52285	52285	52285
6	Micro Valve	16685	16686	16686	16686
7	Control Motor	16847	16847	16847	16847
8	Flow Meter	41419x005	41419x001	53013	53013
9	Heavy Oil Conversion Kit	403692	403692	403692	403692
A	Controller, Low/High Temperature	301199	301199	301199	301199
B	Valve, Solenoid	301680	301680	301680	301680

LP MANIFOLD ESII-75B – ESII-150B

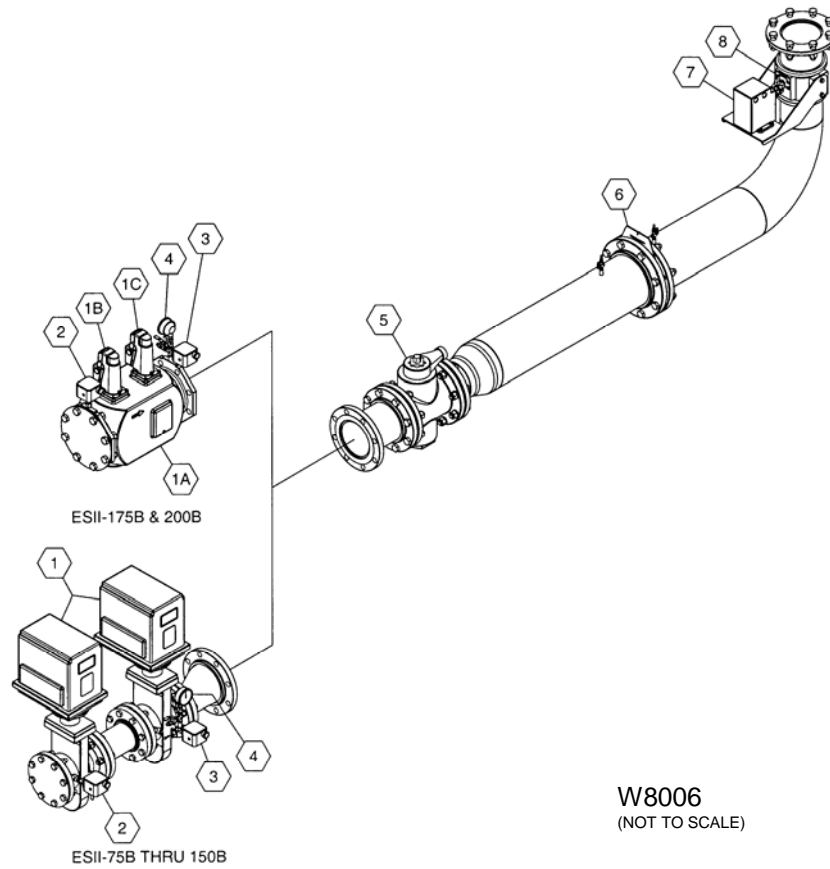


W7925
(NOT TO SCALE)

Key

<u>No.</u>	<u>Description</u>	<u>ESII-75B</u>	<u>ESII-100B</u>	<u>ESII-125B</u>	<u>ESII-150B</u>
1	Strainer	20704	20704	20608	20608
2	Flow Meter	43104x002	43104x002	43105	43105
3	Low/High Pressure Switch	301174	301174	301174	301174
4	Valve, Hydrostatic Relief	46956	46956	46956	46956
5	Valve, Automatic Shutoff	60351	60351	60652	60652
6	Pressure Gauge	37353	37353	37353	37353
7	Micro Valve	16938	16939	16939	16939
8	Control Motor	16847	16847	16847	16847

GAS MANIFOLD ESII-75B – ESII-150B



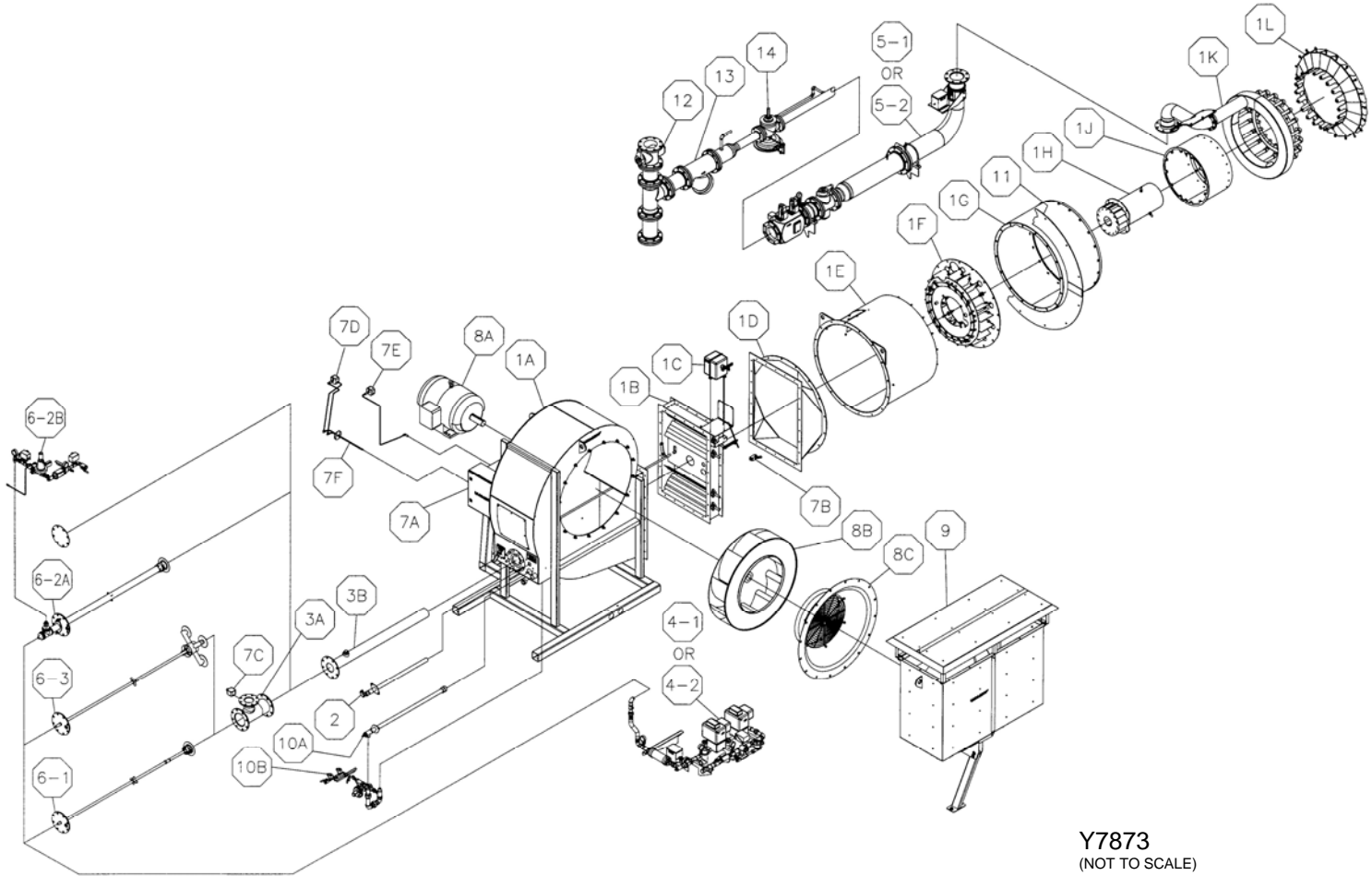
Key

<u>No.</u>	<u>Description</u>	<u>ESII-75B</u>	<u>ESII-100B</u>	<u>ESII-125B</u>	<u>ESII-150B</u>
1	Valve, Automatic Shutoff	N/A	N/A	N/A	N/A
A	Body, Double Valve	300794	300794	300795	300795
B	Actuator, On-Off	301553	301553	301553	301553
C	Actuator, On-Off	301554	301554	301554	301554
2	Switch, Low Gas Pressure	84447832	84447832	84447832	84447832
3	Switch, High Gas Pressure	84447842	84447842	84447842	84447842
4	Pressure Gauge	61254	61254	61254	61254
5	Valve, Manual Shutoff	63162	63162	63163	63163
6	Plate, Gas Orifice Meter	48242x001	48242x001	47181x005	47181x005
7	Valve, Gas Butterfly	44375-003	44375-003	44381-002	44381-002
8	Control Motor	16847	16847	16847	16847

This page left intentionally blank.



**ECO-STARITM BURNER
ESII-175B – ESII-200B**

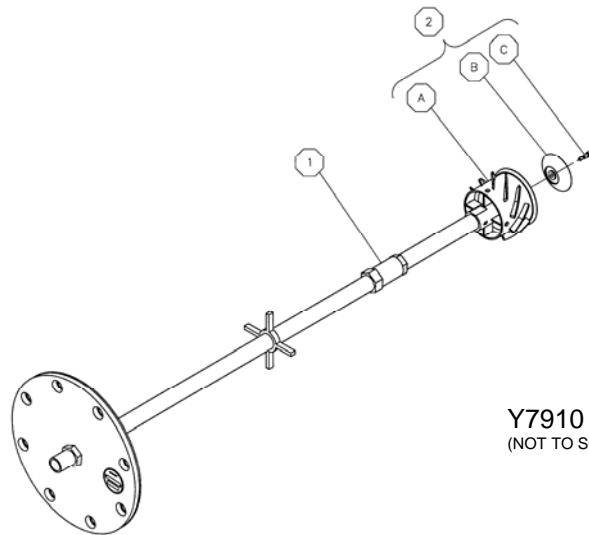


Y7873
(NOT TO SCALE)

Key No.	Description	ESII-175B	ESII-200B
1	Body Assembly, Burner	404292	404292
A	Housing Assembly, Air	404294	404294
B	Damper Assembly, Outlet	404312	404312
C	Control Motor	20627	20627
D	Transition Assembly	75469	75469
E	Cooling Air Jacket, Rear	404315	404315
F	Spin Vane Assembly	404323	404323
G	Cooling Air Jacket, Front	404332	404332
H	Tube Assembly, Secondary Air	404336	404336
J	Tube Assembly, Flame	404319	404319
K	Insert, Gas	404353	404353
L	Flame Cone Segments	404341	404341
2	Scanner Assembly, Pilot & Main Flame	75259x004	75259x004
3	Primary Air		
A	Tee Assembly, Primary Air	75269	75269
B	Tube Assembly, Primary Air	75474	75474

Key No.	Description	ESII-175B	ESII-200B
4-1	Manifold Assembly, Oil	404377	404377
	Manifold Assembly, Oil W/Heavy Oil Kit	404377x001	404377x001
4-2	Manifold Assembly, LP	404378	404378
5-1	Manifold Assembly, Gas	404373	404373
5-2	Manifold Assembly L/SSOV, Gas	404376	404376
6-1	Insert, Oil	75472	75472
6-2	Insert/Manifold, Compressed Air/Oil		
A	Insert, Compressed Air/Oil	75966	75966
B	Manifold, Compressed Air/Oil	75946	75946
6-3	Insert, LP	75478	75478
7	Control Switches, Junction Box		
A	Junction Box	73349x	73349x
B	Low Fire Limit Switch	20533	20533
C	Primary Air Pressure Switch	84447832	84447832
D	Purge Air Pressure Switch	84447812	84447812
E	Secondary Air Pressure Switch	84447822	84447822
F	Pitot Tube Assembly	75262	75262
8	Fan Assembly (ODP)	404351x002	404352x002
	Fan Assembly (TEFC)	404351x003	---
A	Motor (ODP)	95776	62260
	Motor (TEFC)	95777	---
B	Impeller (ODP)	62272	62261
	Impeller (TEFC)	62272	---
C	Inlet Cone Assembly	403547	403547
9	Attenuator Assembly	404347	404347
10	Pilot Assembly/Manifold		
A	Pilot Assembly	75285x004	75285x004
B	Pilot Manifold	404345	404345
11	Companion Flange	70640x001	70640x001
12	Valve, Isolation	63163	63163
13	Strainer	62056	62056
14	Regulator, Gas Pressure	20378	20378

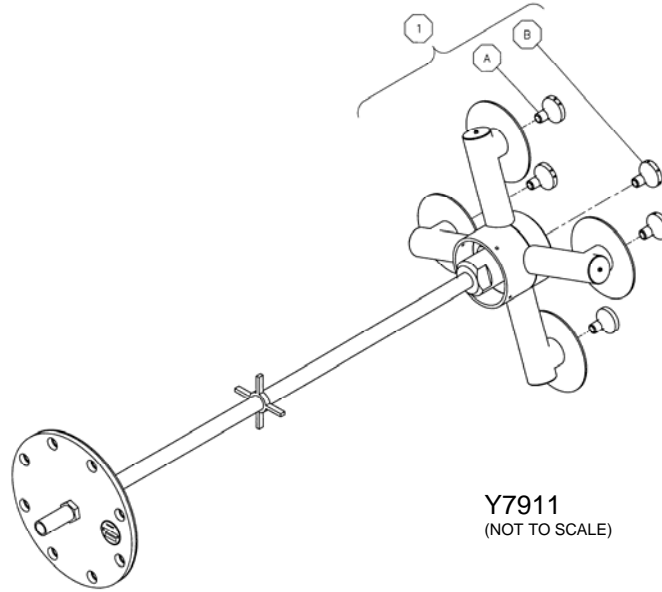
OIL INSERT ESII-175B – ESII-200B



Y7910
(NOT TO SCALE)

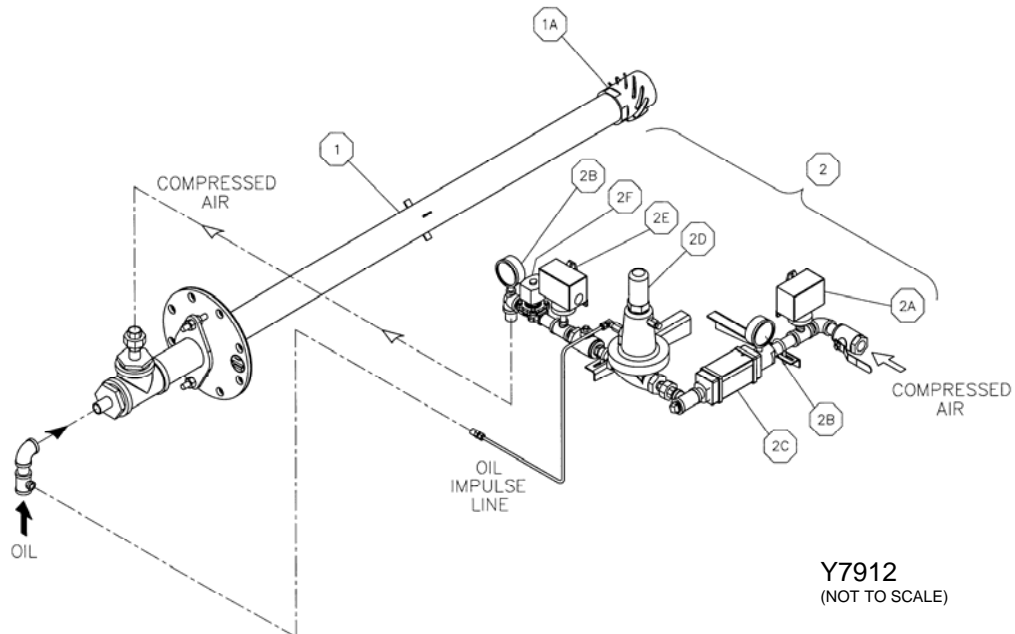
Key No.	Description	ESII-175B	ESII-200B
1	Valve, Check	44146	44146
2	Nozzle Assembly, Oil	53008	53008
A	Oil Nozzle	53009	53009
B	Oil Nozzle Deflector	53012	53012
C	Nut, Castle	7360	7360

LP INSERT ESII-175B – ESII-200B



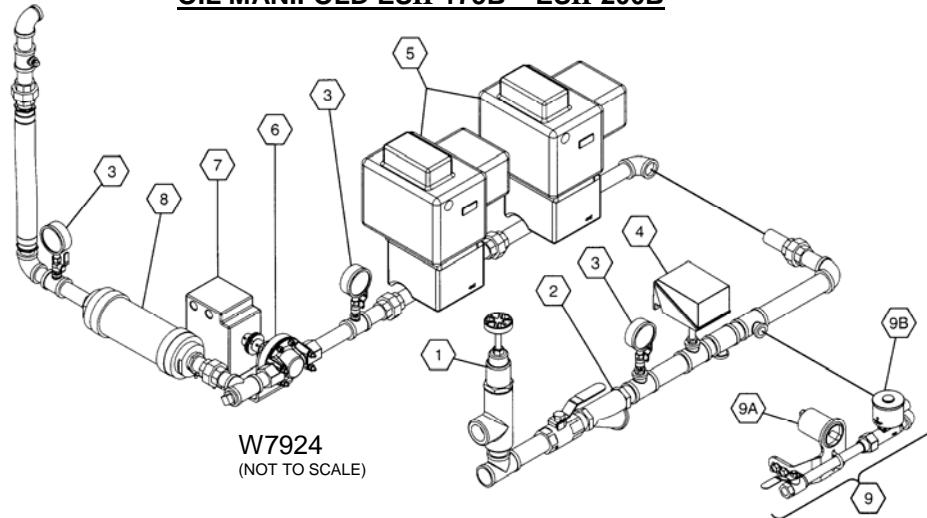
Key			
<u>No.</u>	<u>Description</u>	<u>ESII-175B</u>	<u>ESII-200B</u>
1	Nozzle Assembly, LP	76007	76007
A	LP Nozzle, Outer	73921x003	73921x003
B	LP Nozzle, Center	73921x004	73921x004

COMPRESSED AIR MANIFOLD & INSERT ESII-75B – ESII-150B



Key			
<u>No.</u>	<u>Description</u>	<u>ESII-175B</u>	<u>ESII-200B</u>
1	Insert Assembly, Compressed Air/Oil	75966	75966
A	Nozzle Assembly	75969	75969
2	Manifold Assembly, Compressed Air	75946	75946
A	Low Supply Pressure Switch	301171	301171
B	Pressure Gauge	35971	35971
C	Flow Meter	62989	62989
D	Regulator, Pressure Reducing	62933	62933
E	Low Atomizing Pressure Switch	301172	301172
F	Valve, Solenoid	63124	63124

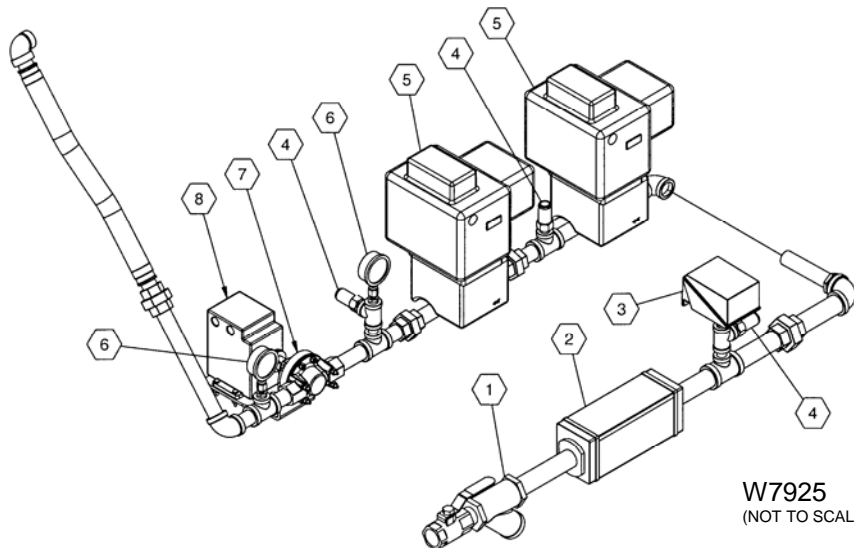
OIL MANIFOLD ESII-175B – ESII-200B



W7924
(NOT TO SCALE)

Key		<u>ESII-175B</u>	<u>ESII-200B</u>
<u>No.</u>	<u>Description</u>		
1	Valve, Relief	61164	61164
2	Strainer	20516	20516
3	Pressure Gauge	35971	35971
4	Low/High Pressure Switch	303133	303133
5	Valve, Automatic Shutoff	52285	52285
6	Micro Valve	32563	32563
7	Control Motor	16847	16847
8	Flow Meter	53013	53013
9	Heavy Oil Conversion Kit	403692	403692
A	Controller, Low/High Temperature	300047	300047
B	Valve, Solenoid	301680	301680

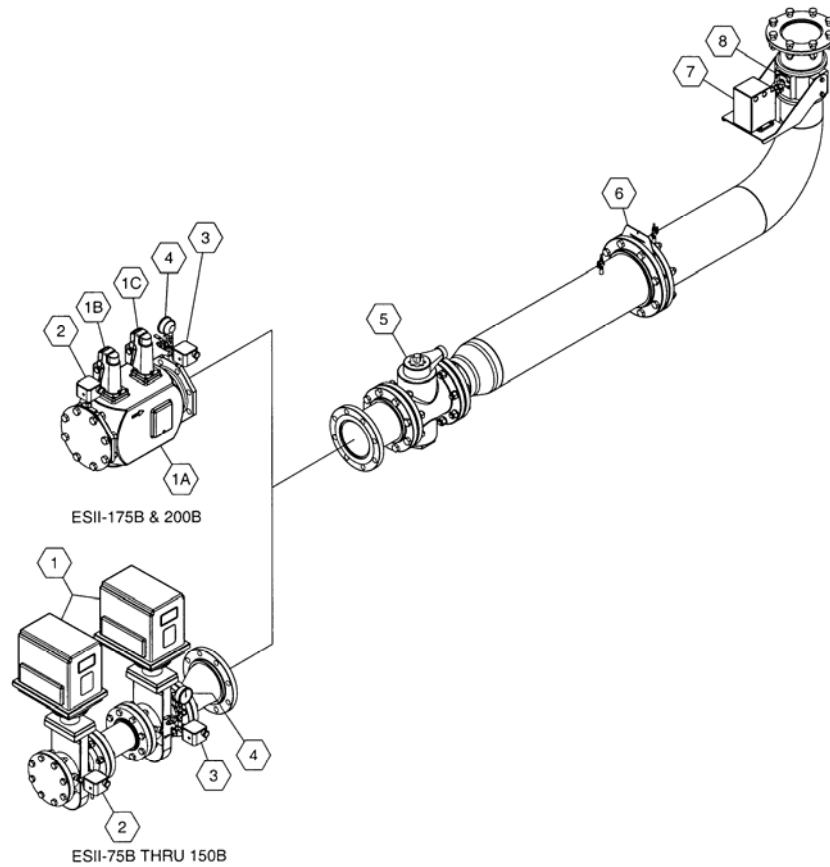
LP MANIFOLD ESII-175B – ESII-200B



W7925
(NOT TO SCALE)

Key		<u>ESII-175B</u>	<u>ESII-200B</u>
<u>No.</u>	<u>Description</u>		
1	Strainer	20608	20608
2	Flow Meter	43105	43105
3	Low/High Pressure Switch	301174	301174
4	Valve, Hydrostatic Relief	46956	46956
5	Valve, Automatic Shutoff	60652	60652
6	Pressure Gauge	37353	37353
7	Micro Valve	46961	46961
8	Control Motor	16847	16847

GAS MANIFOLD ESII-175B – ESII-200B



Key

<u>No.</u>	<u>Description</u>	<u>ESII-175B</u>	<u>ESII-200B</u>
1	Valve, Automatic Shutoff	54802	54802
A	Body, Double Valve	N/A	N/A
B	Actuator, On-Off	N/A	N/A
C	Actuator, On-Off	N/A	N/A
2	Switch, Low Gas Pressure	84447832	84447832
3	Switch, High Gas Pressure	84447842	84447842
4	Pressure Gauge	61254	61254
5	Valve, Manual Shutoff	63163	63163
6	Plate, Gas Orifice Meter	47181x005	47181x005
7	Valve, Gas Butterfly	44381-002	44381-002
8	Control Motor	16847	16847

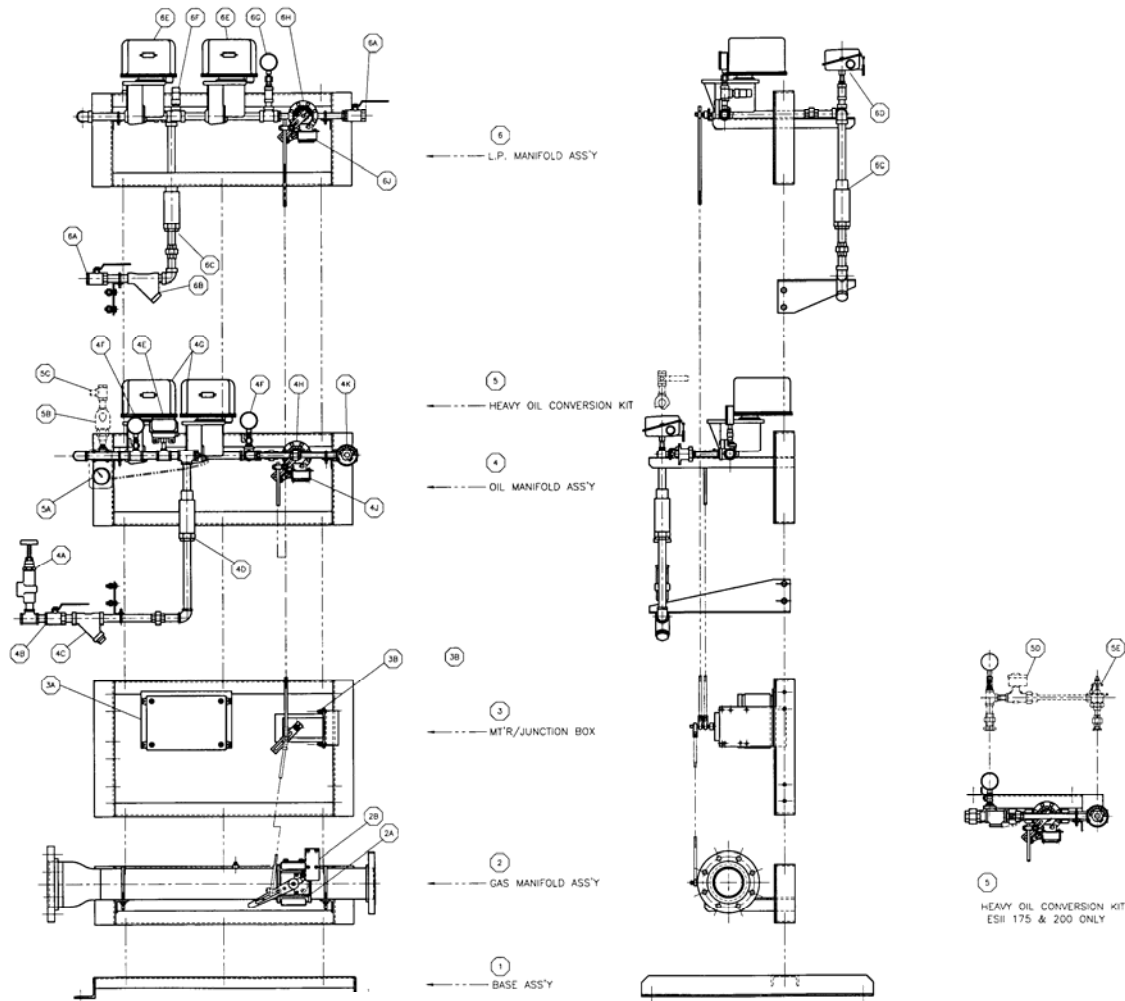
This page left intentionally blank.



ECO-STARITM

OPTIONAL RACK MOUNTED FUEL MANIFOLDS

ESII-75 – ESII-200



NOTES:

1. ANY COMBINATION OF FUEL MODULES CAN BE SUPPLIED W/BASE AND MTR/JUNCTION BOX AS SPECIFIED ON ORDER.
2. ESII-75 TO ESII-200, UTILIZE FUEL MANIFOLDS THAT ARE INTEGRAL TO THE BURNER SKID; REMOTE RACK MOUNTED FUEL MANIFOLDS

Y6968
(NOT TO SCALE)

Key No.	Description	ESII-75	ESII-100	ESII-125 ESII-150	ESII-175 ESII-200
1	Base Assembly	56771	56771	56711	56771
2	Gas Manifold Assembly	55701	55701	56021	56021
2A	Gas Metering Valve w/Limit Switch	44201R2030	44375	44381	44381
2B	Low Fire Limit Switch	20533	20533	20533	20533
3	Motor Junction Box Assembly	56767	56767	56767	56767
3A	Junction Box	55844	55844	55844	55844
3B	Motor	62960	62960	62960	62960

<u>Key No.</u>	<u>Description</u>	<u>ESII-75</u>	<u>ESII-100</u>	<u>ESII-125 ESII-150</u>	<u>ESII-175 ESII-200</u>
4	Oil Manifold	71076	75922	70962	75923
4A	Pressure Relief Valve	61163	61159	61164	61164
4B	Ball Valve	41607	41608	41609	41609
4C	Y-Strainer	16344	20515	20516	20516
4D	Flow Meter	41419x005	41419x001	53013	53013
4E	Low Pressure Switch	303133	303133	303133	303133
4F	Pressure Gauge	35971	35971	35971	35971
4G	Safety Shutoff Valve (2 Req'd)	60023	52285	52285	52285
4H	Metering Valve w/Limit Switch	16685R0241	16686R0241	16686R0241	32563R0241
4J	Low Fire Limit Switch	20533	20533	20533	20533
4K	Low Fire Metering Valve	42577	42577	42577	42577
5	Heavy Oil Conversion Kit	56896x003	56896x003	56896x004	56896x004
5A	Indicating Temperature Control	45903	45903	45903	45903
5B	Solenoid Valve	301680	301680	301680	301680
5C	Ball Valve	41694	41694	41694	41694
6	LP Manifold Assembly	55935	55734	75974	70569
6A	Ball Valve	41607	41608	41609	41609
6B	Y-Strainer	20607	20704	20608	20608
6C	Flow Meter	43104x002	43104x002	43105	43105
6D	Low Pressure Switch	46476	46476	46476	46476
6E	Safety Shutoff Valve (2 Req'd)	60351	60652	60655	60655
6F	Relief Valve	46956	46956	46956	46956
6G	Pressure Gauge	37353	37353	37353	37353
6H	Metering Valve w/Limit Switch	16938R0241	16939R0241	75933R0241	46961R0241
6J	Low Fire Limit Switch	46476	46476	46476	46476