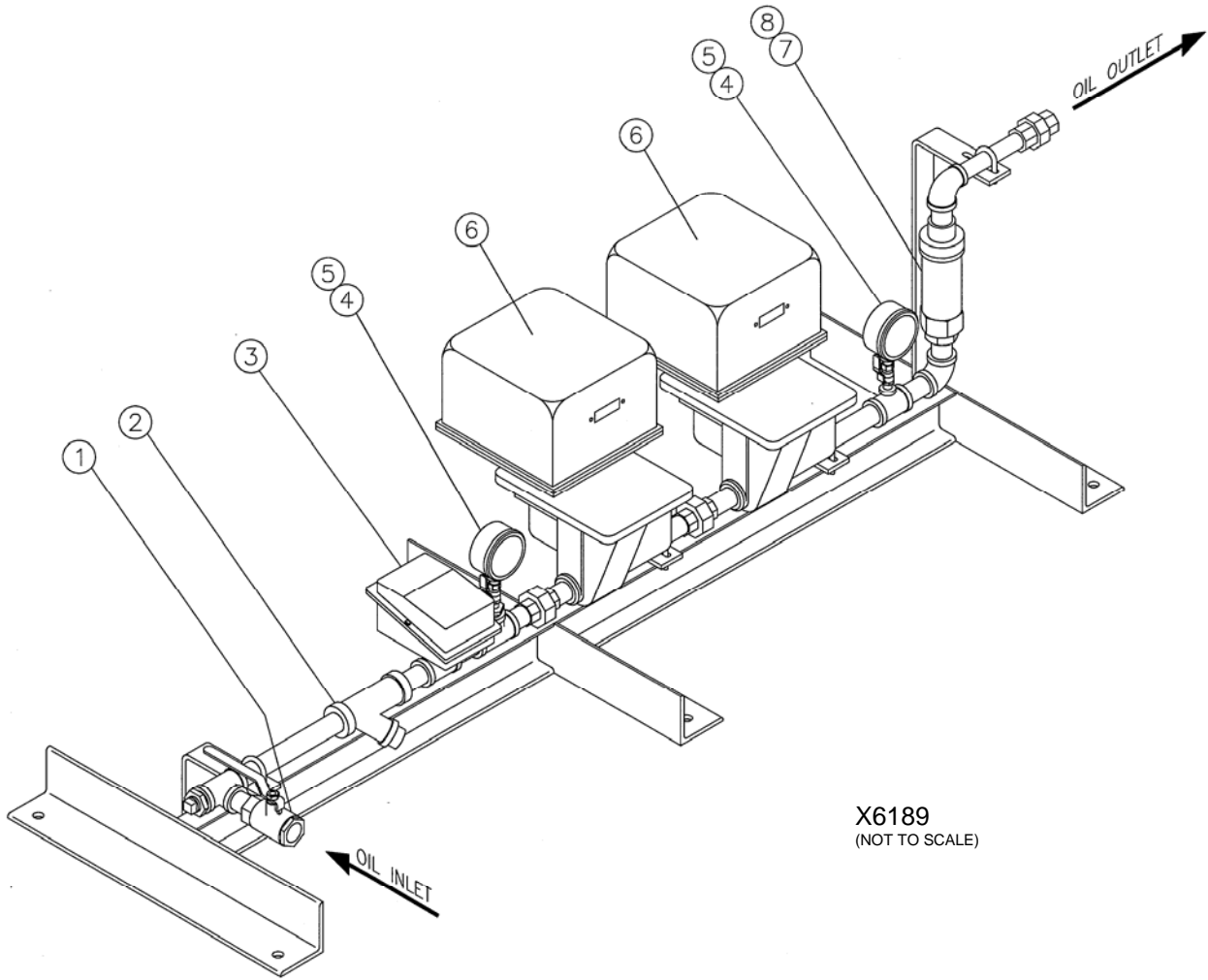


**PREPIPED OIL MANIFOLD
POM 207 - POM 210**

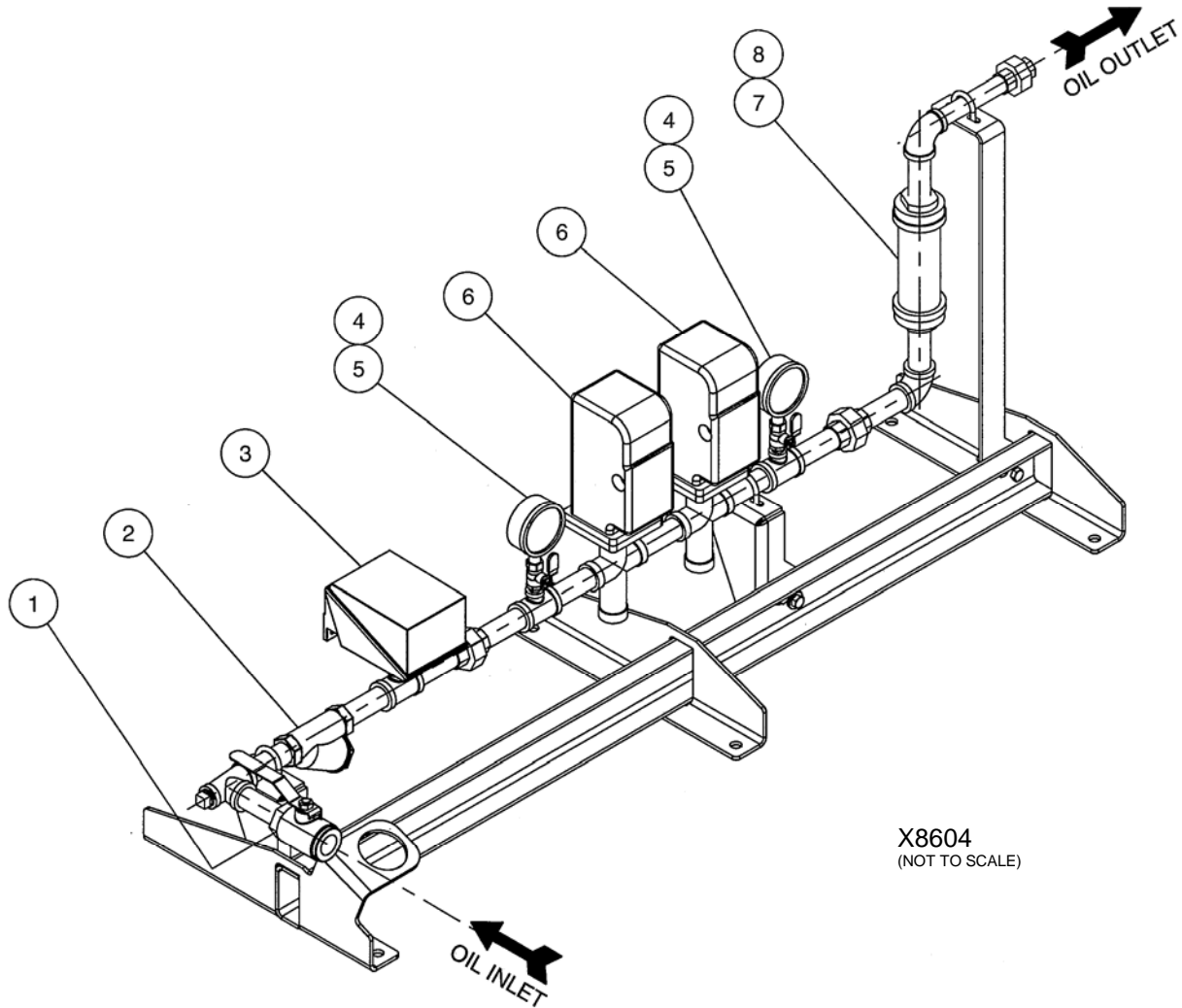


X6189
(NOT TO SCALE)

Key No.	Description	POM 207-1	POM 207-2	POM 207-3	POM 210
1	Valve, Manual Ball	41607	41607	41607	41608
2	Strainer	16344	16344	16344	20515
3	Switch, Low/High Pressure	303133	303133	303133	303133
4	Gauge, Liquid Filled 0-100 psig	35971	35971	35971	35971
5	Valve, Mini-Ball 1/4 NPT	15796	15796	15796	15796
6	Valve, Automatic Safety Shutoff	60023	60023	60023	52285
7	Flow Meter	41419x004	41419x005	41419x001	41419x001
8	Replacement Glass, Flow Meter	61948	61947	61950	61950

This page left intentionally blank.

PREPIPED OIL MANIFOLD POM 407

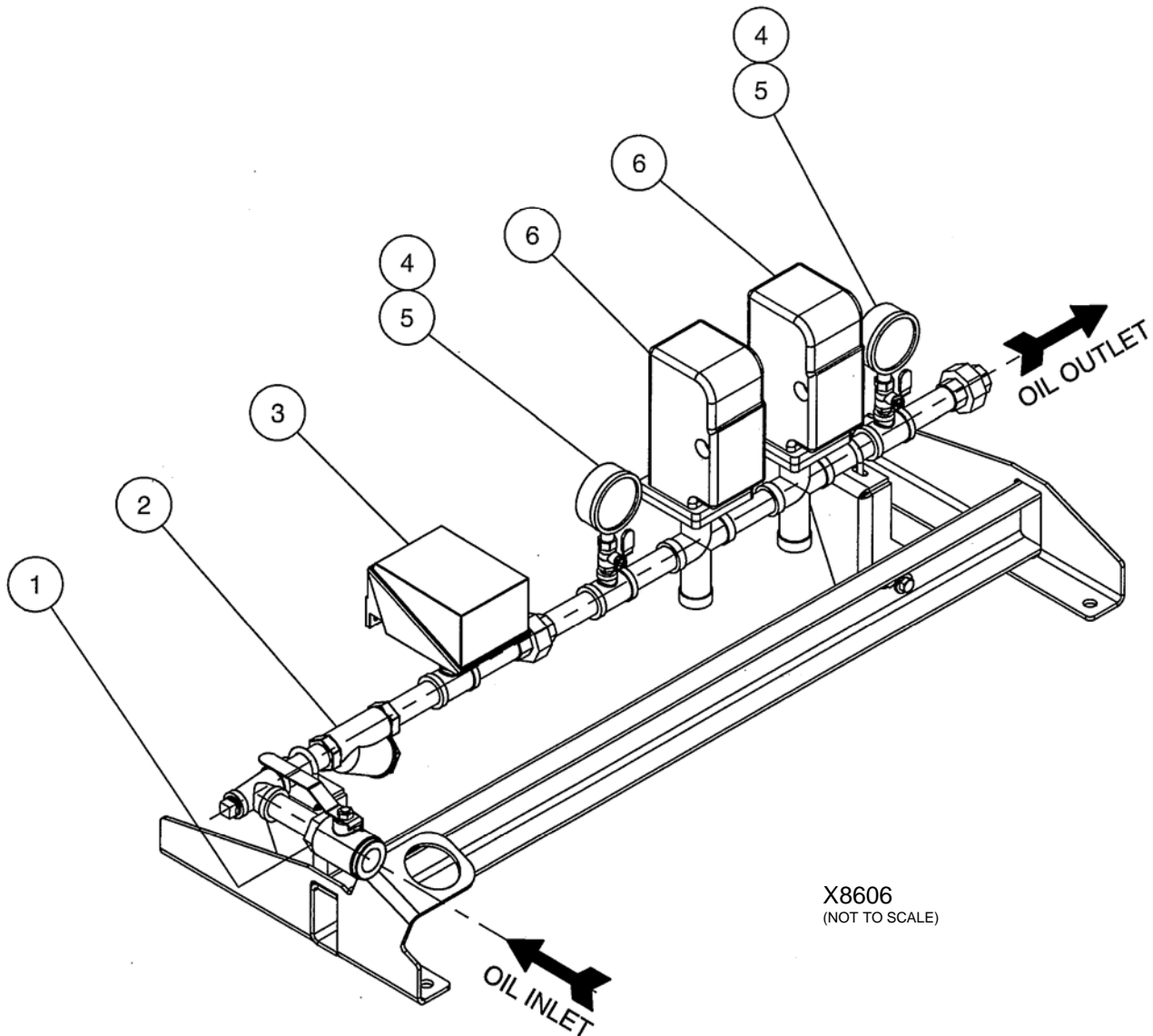


Key

<u>No.</u>	<u>Description</u>	<u>POM 407-1</u>	<u>POM 407-2</u>	<u>POM 407-3</u>
1	Valve, Manual Ball	41607	41607	41607
2	Strainer	16344	16344	16344
3	Switch, Low/High Pressure	303133	303133	303133
4	Valve, Mini-Ball 1/4 NPT	15796	15796	15796
5	Gauge, Liquid Filled 0-100 psig	35971	35971	35971
6	Valve, Automatic Safety Shutoff	302883	302883	302883
7	Flow Meter	41419x004	41419x005	41419x001
8	Replacement Glass, Flow Meter	61948	61947	61950

This page left intentionally blank.

PREPIPED OIL MANIFOLD POM 507

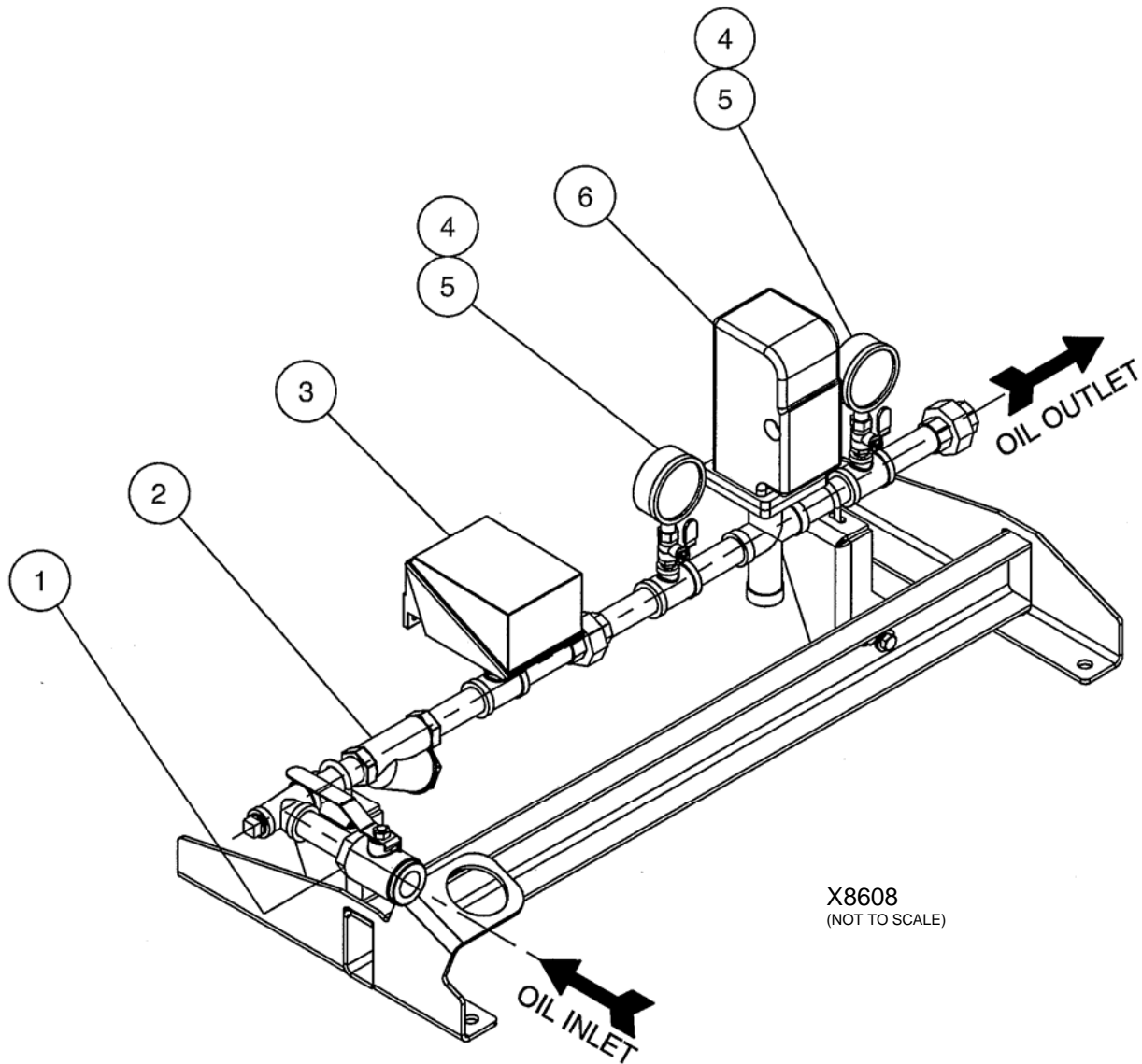


Key No.	Description	POM 507
1	Valve, Manual Ball	41607
2	Strainer	16344
3	Switch, Low/High Pressure	303133
4	Valve, Mini-Ball 1/4 NPT	15796
5	Gauge, Liquid Filled 0-100 psig	35971
6	Valve, Automatic Safety Shutoff	302883

This page left intentionally blank.



**PREPIPED OIL MANIFOLD
POM 607**



X8608
(NOT TO SCALE)

Key No.	Description	POM 607
1	Valve, Manual Ball	41607
2	Strainer	16344
3	Switch, Low/High Pressure	303133
4	Gauge, Liquid Filled 0-100 psig	35971
5	Valve, Mini-Ball 1/4 NPT	15796
6	Valve, Automatic Safety Shutoff	302883

This page left intentionally blank.