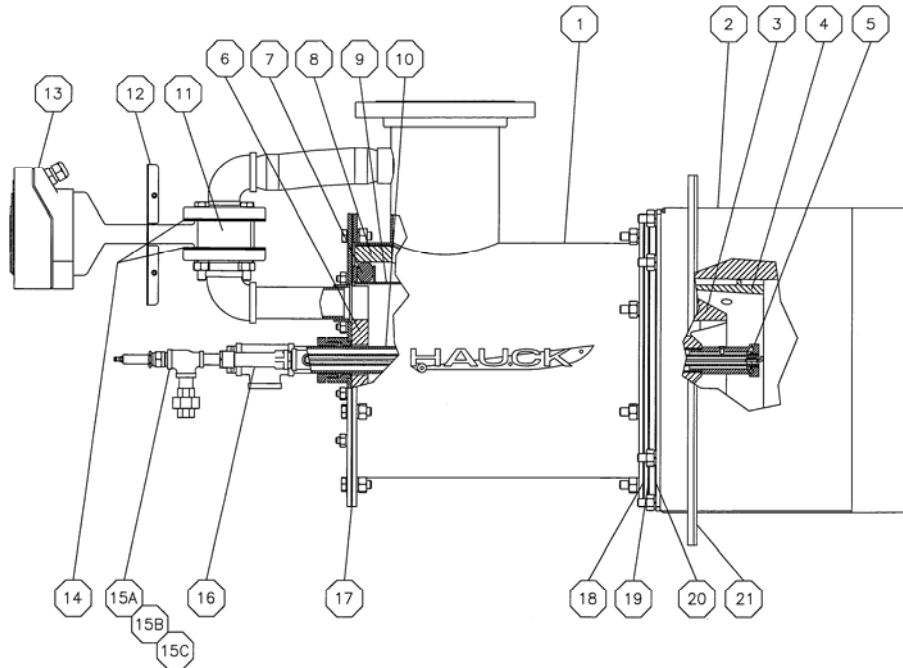




WHI
WALL HUGGER INVISIFLAME® GAS BURNER



Y8146
(NOT TO SCALE)

Key
No.

Description

WHI140/240

WHI160/260

Key No.	Description	WHI140/240	WHI160/260
1	Body Assembly, Burner Outer (100 Series)	405150-A	404618
	Body Assembly, Burner Outer (200 Series)	405150	404618
2	Tile Assembly, Square	405158x	404632x
	Tile Assembly, Round	405864x	404788x
3	Nozzle, Refractory	405153	404626
4	Nozzle Assembly, Spin Rack (100 Series)	406177	404620
	Nozzle Assembly, Spin Rack (200 Series)	405149	404620
5	Nozzle Assembly, Gas W/Igniter or Pilot	405154x001	404633x001
	Nozzle Assembly, Gas WO/Igniter or Pilot	405154x002	404633x002
6	Insulation, Burner Backplate (200 Series)	405157	404627
7	Packing, Braided Rope (200 Series)	200140x26.000	200128x36.000
8	Insulation, Burner Outer Body (200 Series)	N/A	404629
9	Body Assembly, Burner Inner (100 Series)	N/A	406178
	Body Assembly, Burner Inner (200 Series)	N/A	404619
10	Tube Assembly, Burner Gas	405152	404622
11	Valve Assembly, Butterfly	BVAH 412B-001	74105770
12	Heatshield, Actuator	405845	74921670
13	Actuator, Butterfly Valve	74105712	74105712
14	Gasket, Invisiflame Control Loop	N/A	404636
15A	Igniter Assembly, Air Cooled Spark	405162x001	404637x001
15B	Pilot Assembly, Spark Ignited Gas	405843	404858
15C	Cooling Assembly, Nozzle	405162x001-001	404637x001-001
16	Scanner, UV	84333120	84333120
17	Gasket, Backplate Mounting	405159	404625
18	Gasket, Outer Burner Body Mounting	N/A	404623

<u>Key No.</u>	<u>Description</u>	<u>WHI140/240</u>	<u>WHI160/260</u>
19	Gasket, Inner Burner Body Mounting	N/A	404624
20	Gasket, Burner Assembly Mounting	405160	404623
21	Gasket, Tile Mounting Square	405158-H	404632-H
	Gasket, Tile Mounting Round	405864-F	404788-H