

WHG Package

Packaged Wall Hugger Gas Fired Burner

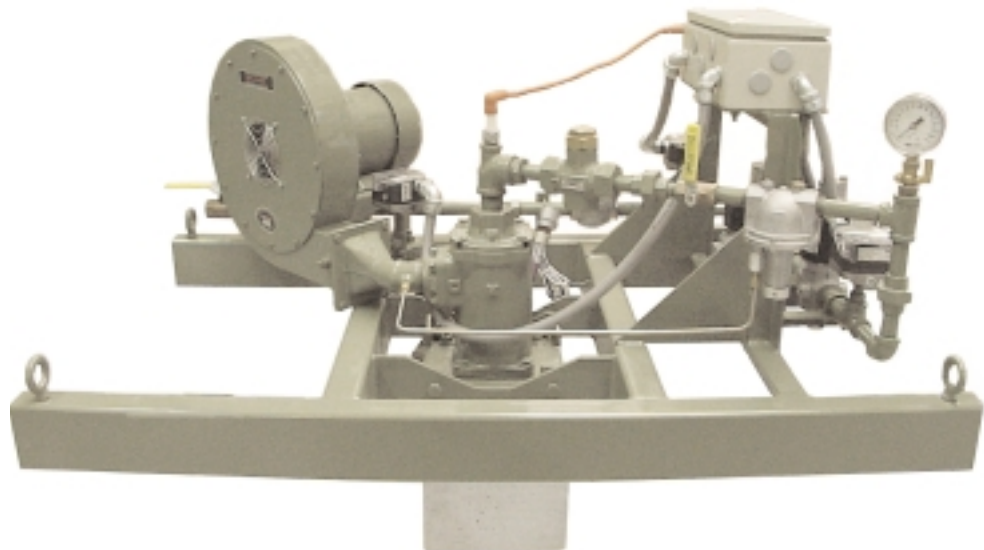


Features

- Complete combustion system
- Durable WHG burner designed for direct fired applications
- Burner flame that 'hugs' the wall
- Pre-piped, pre-wired and skid mounted

Benefits

- Complete packaged combustion system for ease of installation
- Flat flame produces even heating
- Ideal for smaller furnaces
- Immediate ramping to high fire reduces furnace heat-up time



Specially designed for single burner roof fired applications, the WHG Package has all the benefits of the Hauck WHG burner in a complete combustion unit. Particularly well-suited to replace electric heating elements in small aluminum holding furnaces. Capacities range from 333,000 to 1,063,000 Btu/hr (88 kW to 281 kW).*

*Capacities @ 10% excess air and blower motor operation @ 75Hz.

**HAUCK MANUFACTURING
COMPANY**

P.O. Box 90
Lebanon, PA 17042
Phone: 717-272-3051
Fax: 717-273-9882
www.hauckburner.com

Combustion Excellence Since 1888

WHGP-1

WHG Package

PACKAGED WALL HUGGER GAS FIRED BURNER



ADVANTAGES OF THE WHG PACKAGE

Complete Packaged Combustion System
for Ease of Installation

Flat Flame Produces Even Heating

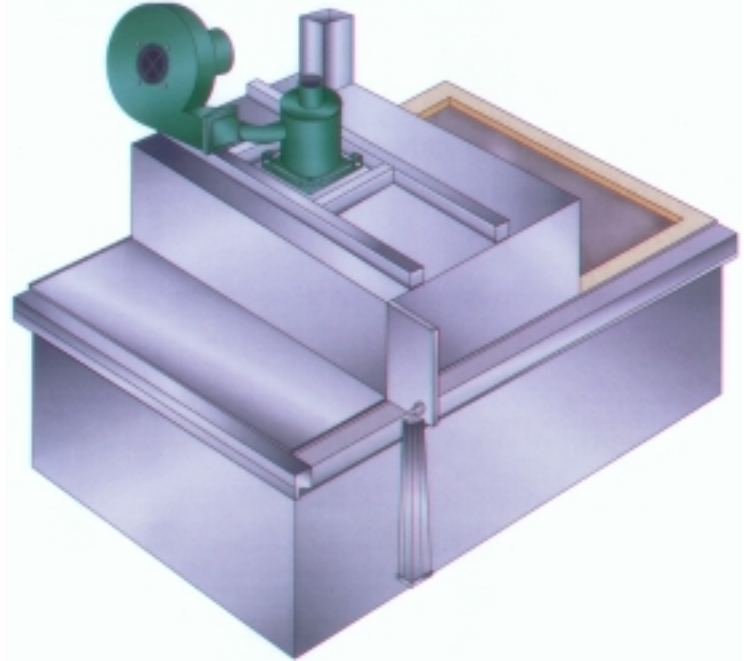
Ideal for Smaller Furnaces

Immediate Ramping to High Fire Reduces
Furnace Heat-up Time

The WHG Package provides the operational benefits of Hauck's WHG burner within the convenience of a complete packaged combustion system.

The WHG burner is designed for direct fired applications, or for replacing electrical heating systems, requiring even heat distribution and no flame impingement. The flame hugs the wall, allowing the burner to be placed close to the load. The flat flame pattern promotes even heating by radiation from the furnace walls and roof. The baffle walls and chambers necessary for the firing of conventional burners are not necessary with the WHG. This permits the burner to be installed in smaller furnaces and simplified interiors.

The WHG can be ignited and ramped to high fire immediately, even in a cold, tight furnace. This reduces furnace heat-up time.



Roof Mounted WHG Package for Die-Casting Applications

WHG PACKAGE INCLUDES:

- Burner Unit w/Spark Ignition
- UV Scanner
- Spark Generator
- Blower Assembly w/TEFC Motor
- Gas Orifice Meter
- Gas Filter
- Air and Gas Pressure Switches
- Gas Safety Shutoff Valves
- Gas Vent Valve
- Gas/Air Ratio Regulator
- Limiting Gas Valve
- Mounting Skid