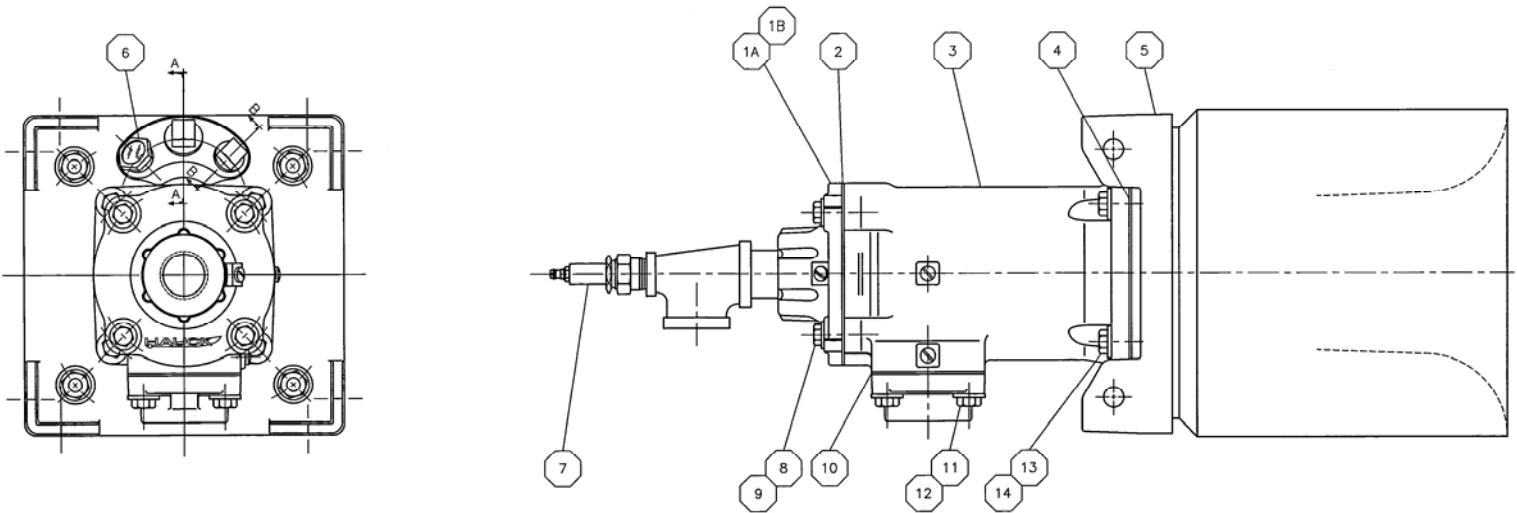




**WHG WALL HUGGER GAS BURNER
WHG112 – WHG140**



NOTES:
1. BURNER SHOWN WITH DIRECT SPARK IGNITION. BURNER WITH
OPTIONAL GAS PILOT IGNITION IS AVAILABLE; CONSULT HAUCK.

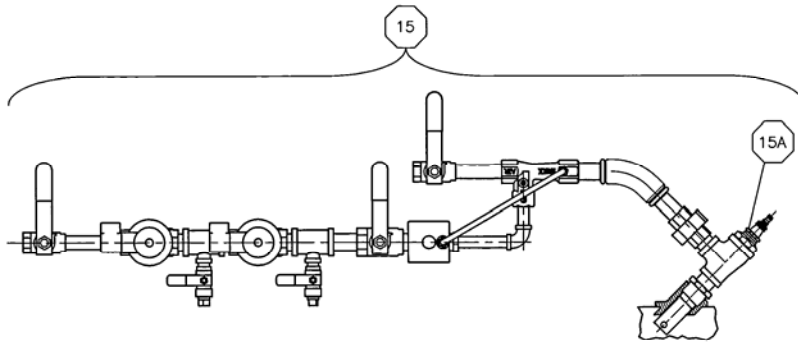
Y1493
(NOT TO SCALE)

Key

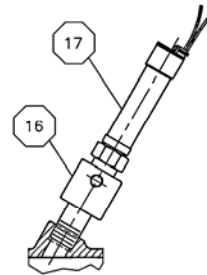
No.	Description	WHG112B	WHG115B	WHG120B
1A	Atomizer Assembly (Spark Igniter)	404063	404064	404065
1B	Atomizer Assembly (Gas Pilot)	19676	19677	19678
2	Gasket, Backplate	19697	19697	19641
3	Body, Burner	19682	19682	19683
4	Gasket, Furnace Mounting Plate	19698	19698	19642
5	Plate and Tile Assembly	19685	19685	19686
6	Observation Port, 1/2"	12823	12823	12823
7	Igniter Assembly	70303x001	70303x001	70303x001
8	Screw, Hex Hd. Cap	6939x008	6939x008	6939x008
9	Washer, Std. Plain	7091	7091	7091
10	Gasket, Orifice Flange	19780	19780	19651
11	Screw, Hex Hd. Cap	6940x008	6940x008	6940x008
12	Washer, Std. Plain	7083	7083	7083
13	Screw, Hex Hd. Cap	6940x008	6940x008	6940x008
14	Washer, Std. Plain	7083	7083	7083

OPTIONAL

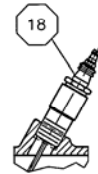
15	Pilot Unit Assembly, Backloaded Gas Asco	33232-002	33232-002	33232-002
15A	Pilot Assembly	30337	30337	30337
16	Adapter Assembly, UV Scanner	43910x001	43910x001	43910x001
17	UV Scanner	20579	20579	20579
18	Flamerod Assembly	75510x001	75510x001	75510x001



SECTION A-A
SHOWING OPTIONAL BACKLOADED
GAS PILOT UNIT ASSEMBLY



SECTION B-B
SHOWING OPTIONAL UV
SCANNER AND ADAPTER



SECTION B-B
SHOWING OPTIONAL FLAME ROD

Y1493
(NOT TO SCALE)

Key

No.	Description	WHG125B	WHG130C	WHG140C
1	Atomizer Assembly (Spark Igniter)	404066	404067	404068
1B	Atomizer Assembly (Gas Pilot)	19679	19680	19681
2	Gasket, Backplate	19641	19662	19662
3	Body, Burner	19683	19684	19684
4	Gasket, Furnace Mounting Plate	19642	19663	19663
5	Plate and Tile Assembly	19686	19687	19687
6	Observation Port, 1/2"	12823	12823	12823
7	Igniter Assembly	70303x001	403035x001	403035x001
8	Screw, Hex Hd. Cap	6939x008	6939x010	6939x010
9	Washer, Std. Plain	7091	7083	7083
10	Gasket, Orifice Flange	19651	19782	19782
11	Screw, Hex Hd. Cap	6940x010	6940x012	6940x012
12	Washer, Std. Plain	7083	7083	7083
13	Screw, Hex Hd. Cap	6940x010	6940x012	6940x012
14	Washer, Std. Plain	7083	7083	7083
OPTIONAL				
15	Pilot Unit Assembly, Backloaded Gas Asco	33232-002	33232-002	33232-002
15A	Pilot Assembly	30337	30337	30337
16	Adapter Assembly, UV Scanner	43910x001	43910x001	43910x001
17	UV Scanner	20579	20579	20579
18	Flamerod Assembly	75510x001	75510x001	75510x002