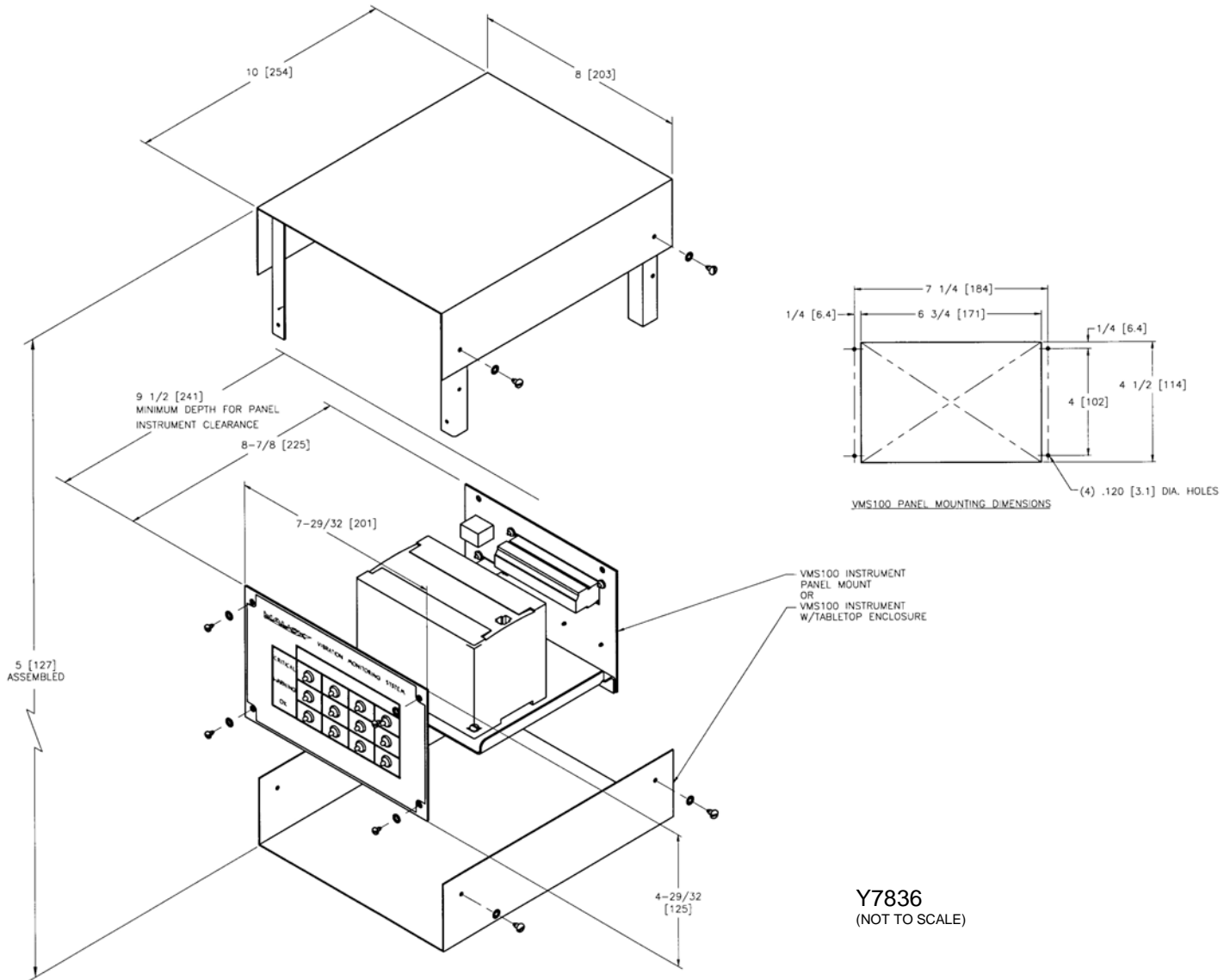




DIMENSIONS

VIBRATION MONITORING SYSTEM VMS 100 SERIES



Y7836
(NOT TO SCALE)

NOTE.
1. DIMENSIONS ARE IN INCHES [MM]

In accordance with Hauck's commitment to Total Quality Improvement, Hauck reserves the right to change the specifications of products without prior notice.

This page left intentionally blank.