



**STARJET BURNER
SJ075 – SJ980**

36 osig 60 Hz Direct Drive Blowers						
Burner Model	Air Flow (scfm)	Pressure (osig)	TBA Blower Model	Motor HP	Fan Rating (acfm @ 350°F)	Max. Capacity (MMBtu/hr)
SJ075	1,200	36	TBA - 36 - 20	20	8,600	15.2
SJ150	1,832	36	TBA - 36 - 25	25	16,000	27.9
SJ200	2,800	37	TBA - 36 - 40	40	23,000	40.5
SJ260	3,500	36	TBA - 36 - 50	50	28,000	49.3
SJ360	5,400	37	TBA - 36 - 75	75	43,000	75.6
SJ520	7,300	36	TBA - 36 - 100	100	55,000	96.8
SJ580	7,900	33	TBA - 36 - 100	100	68,000	120
SJ750	9,940	38	TBA - 36 - 125	125	85,000	150
SJ980	12,220	36	TBA - 36 - 150	150	128,000	200

Capacity Table Notes:

1. Oil capacities based on Higher Heating Value (HHV) of 138,000 Btu/gal and viscosity of oil delivered at the burner of 90 SSU or lower.
2. Gas capacities based on HHV of 1,040 Btu/ft³ and 5 psig manifold inlet pressure with a 3 psig drop across manifold.
3. Liquid propane capacities based on HHV of 91,044 Btu/gal and 50 psig above vapor pressure at inlet of LP burner control valve (butane and 50/50 propane/butane mixture capacities available upon request).
4. Burner capacities based on standard air density: sea level (29.92" Hg) at 70°F. Correction factors must be applied for altitude/temperature variations; consult Hauck.
5. Only 40% of air for combustion is passed through the burner. The remaining 60% of air for combustion plus a minimum of 20% excess air must be induced by the dryer exhaust system at a negative 0.25" wc at the burner/breeching ring.
6. Horsepower rating is based on Hauck blower performance. Blowers of other manufacturers may be used, however, higher horsepower motors may be required as a result of lower efficiencies.
7. "E", "F" & "G" Model burners can be accurately monitored for air flow by using the body pressure P1 test point with an accurate osig pressure gauge. Burners equipped with a blower inlet orifice can be monitored for air flow using a draft gauge capable of reading negative 3" wc. Readings can be related to scfm on corresponding burner charts.
8. Burners equipped with a gas orifice meter can be accurately checked for gas flow by measuring the differential pressure across the orifice meter with a U-tube device capable of reading 0-20"wc. Readings can be related to gas flow using corresponding Burner Performance Tables under gas orifice ΔP ("wc) and gas flow (scfh).

(See Reverse Side for Metric Capacities)

In accordance with Hauck's commitment to Total Quality Improvement, Hauck reserves the right to change the specifications of products without prior notice.

METRIC CAPACITIES

36 osig 60 Hz Direct Drive Blowers						
Burner Model	Air Flow (nm³/min)	Pressure (kPa)	TBA Blower Model	Motor HP	Fan Rating (am³/min @ 177°C)	Max. Capacity (kW)
SJ075	32.1	15.5	TBA - 36 - 20	20	230	4,020
SJ150	49.1	15.5	TBA - 36 - 25	25	429	7,380
SJ200	75.0	15.9	TBA - 36 - 40	40	616	10,700
SJ260	93.8	15.5	TBA - 36 - 50	50	750	13,000
SJ360	145	15.9	TBA - 36 - 75	75	1,150	20,000
SJ520	196	15.5	TBA - 36 - 100	100	1,470	25,600
SJ580	212	14.2	TBA - 36 - 100	100	1,820	31,700
SJ750	266	16.4	TBA - 36 - 125	125	2,280	39,700
SJ980	327	15.5	TBA - 36 - 150	150	3,430	52,900

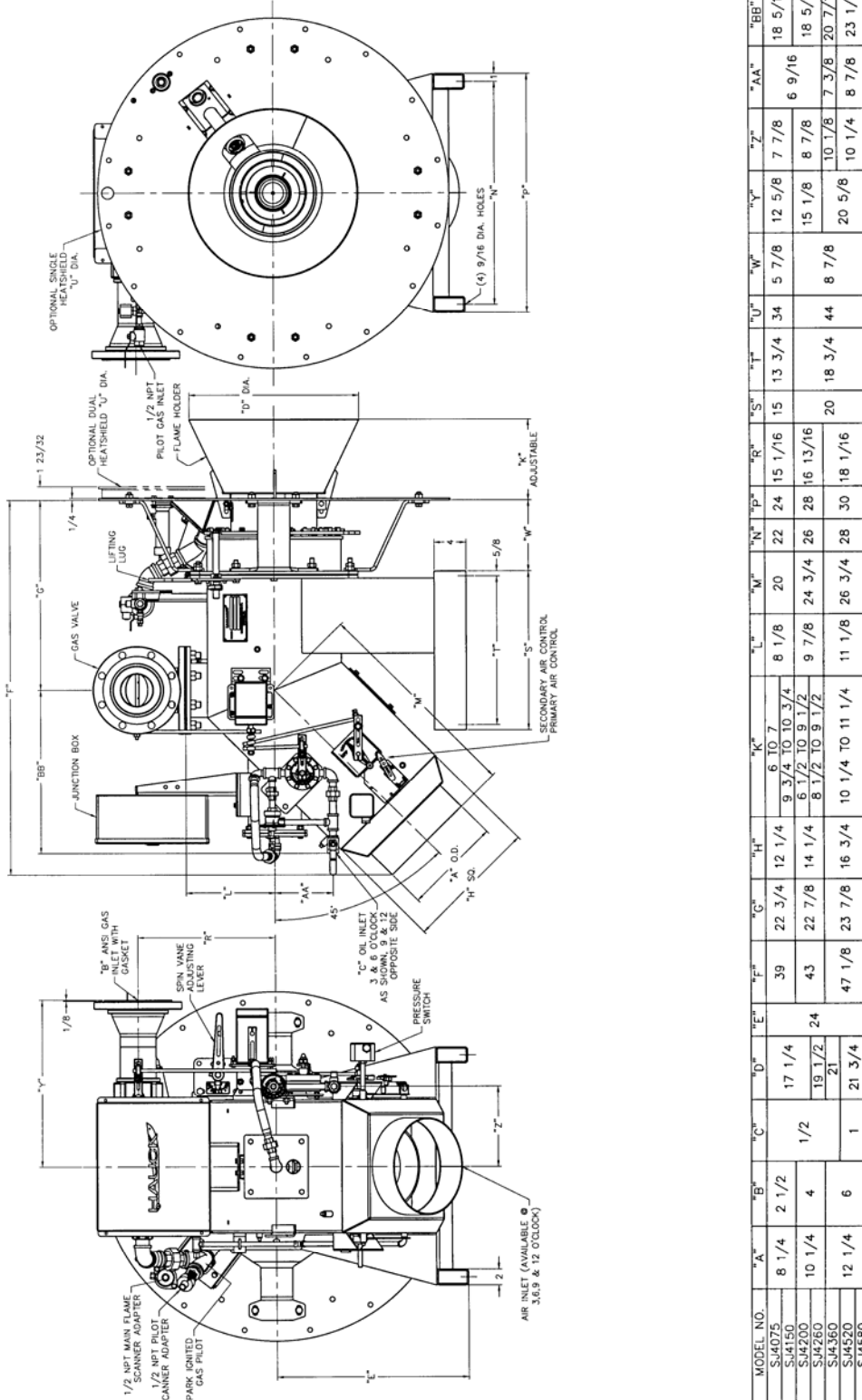
Metric Capacity Table Notes:

1. Oil capacities based on Lower Heating Value (LHV) of 36.17 MJ/l and viscosity of oil delivered at the burner of 1.8×10^{-5} m²/sec or lower.
2. Gas capacities based on LHV of 36.96 MJ/nm³ and 34.5 kPa manifold inlet pressure with a 20.7 kPa drop across manifold.
3. Liquid propane capacities based on LHV of 23.83 MJ/l and 345 kPa above vapor pressure at inlet of LP burner control valve (butane and 50/50 propane/butane mixture capacities available upon request).
4. Burner capacities based on standard air density: sea level (760mm Hg) at 21°C. Correction factors must be applied for altitude/temperature variations; consult Hauck.
5. Only 40% of air for combustion is passed through the burner. The remaining 60% of air for combustion plus a minimum of 20% excess air must be induced by the dryer exhaust system at a negative 6.3mm wc at the burner/breeching ring.
6. Horsepower rating is based on Hauck blower performance. Blowers of other manufacturers may be used, however, higher horsepower motors may be required as a result of lower efficiencies.
7. "E", "F" & "G" Model burners can be accurately monitored for air flow by using the body pressure P1 test point with an accurate kPa pressure gauge. Burners equipped with a blower inlet orifice can be monitored for air flow using a draft gauge capable of reading negative 76mm wc. Readings can be related to nm³/hr on corresponding burner charts.
8. Burners equipped with a gas orifice meter can be accurately checked for gas flow by measuring the differential pressure across the orifice meter with a U-tube device capable of reading 0-500mm wc. Readings can be related to gas flow using corresponding Burner Performance Tables under gas orifice ΔP (mm wc) and gas flow (m³/hr).



DIMENSIONS

STARJET BURNER SJ075 – SJ580



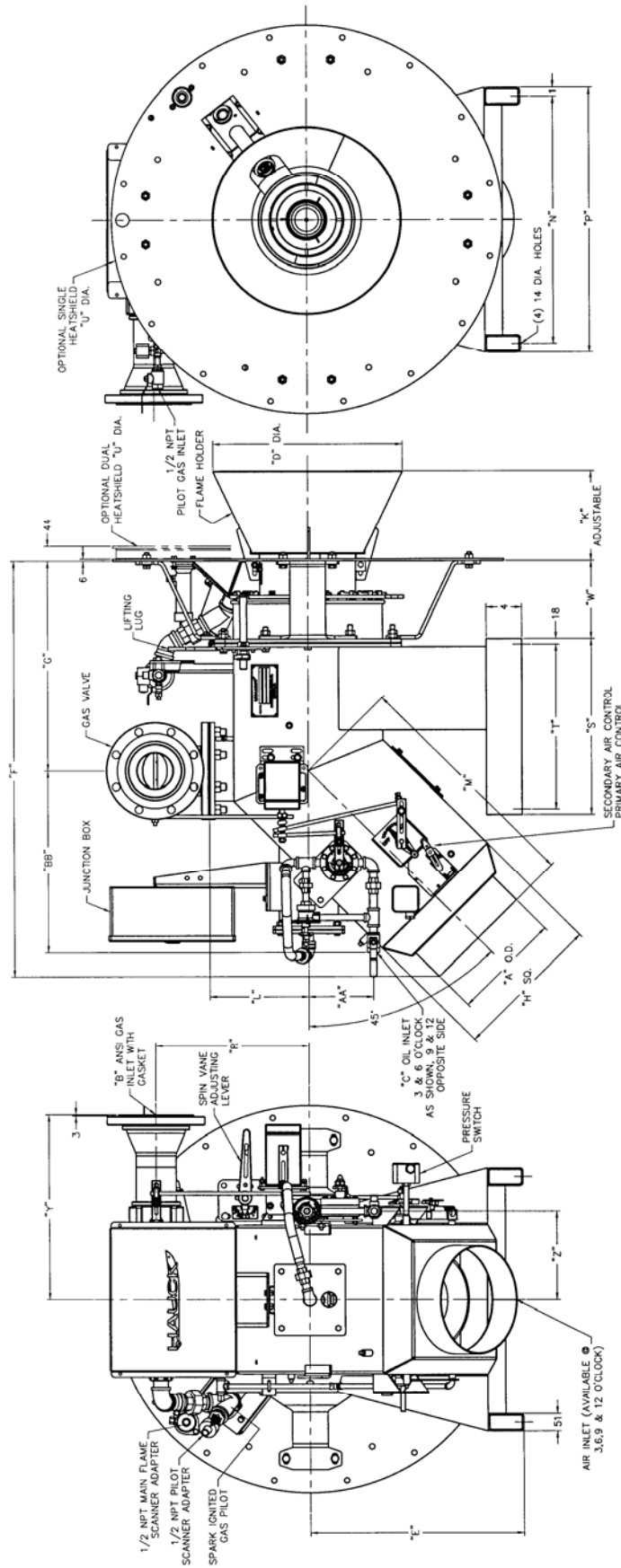
MODEL NO.	"A"	"B"	"C"	"D"	"E"	"F"	"G"	"H"	"K"	"L"	"M"	"N"	"P"	"R"	"S"	"T"	"U"	"W"	"Y"	"Z"	"AA"	"BB"
SJ4075	8 1/4	2 1/2		17 1/4		39	22 3/4	12 1/4	6 TO 7	8 1/8	20	22	24	15 1/16	15	13 3/4	34	5 7/8	12 5/8	7 7/8	6 9/16	18 5/16
SJ4150									9 3/4 TO 10 3/4													
SJ4200	10 1/4	4	1/2	19 1/2	24	43	22 7/8	14 1/4	6 1/2 TO 9 1/2	9 7/8	24 3/4	26	28	16 13/16	20	18 3/4	44	8 7/8	15 1/8	8 7/8	6 9/16	18 5/8
SJ4260									8 1/2 TO 9 1/2													
SJ4360				21																		
SJ4520	12 1/4	6	1	21 3/4		47 1/8	23 7/8	16 3/4	10 1/4 TO 11 1/4	11 1/8	26 3/4	28	30	18 1/16	20	18 3/4	44	8 7/8	20 5/8	10 1/4	7 3/8	20 7/16
SJ4580																						

Y4060
(NOT TO SCALE)

(See Reverse Side for Metric Dimensions)

In accordance with Hauck's commitment to Total Quality Improvement, Hauck reserves the right to change the specifications of products without prior notice.

METRIC DIMENSIONS



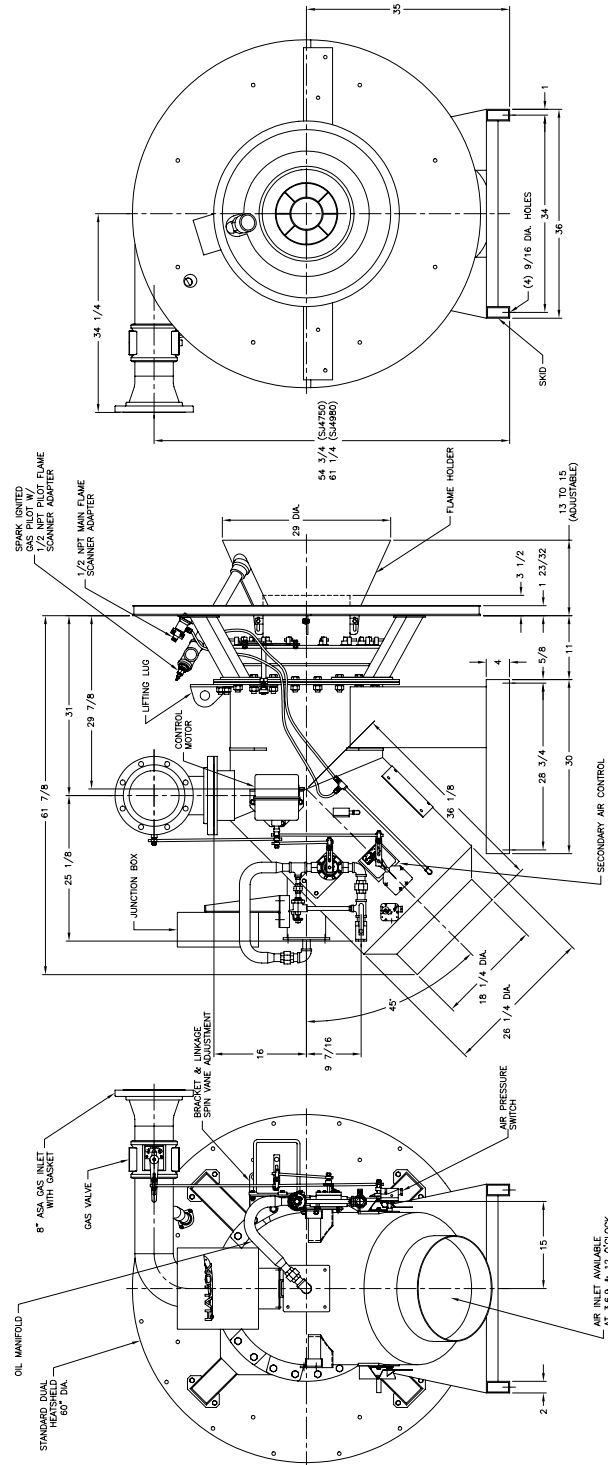
MODEL NO.	"A"	"B"	"C"	"D"	"E"	"F"	"G"	"H"	"K"	"L"	"M"	"N"	"P"	"R"	"S"	"T"	"U"	"W"	"Y"	"Z"	"AA"	"BB"
SJ4075	210	2 1/2		438		991	578	311	152 TO 178	206	508	559	610	383	381	349	864	149	321	200	167	465
SJ4150									248 TO 273													
SJ4200	260	4	1/2		610	1092	581	362	165 TO 241	251	629	660	711	427					384	225		473
SJ4260									216 TO 241													
SJ4360				533		1197	606	425	260 TO 286	283	679	711	762	459	508	476	1118	225	524	257	187	519
SJ4520	311	6	1	552																		
SJ4580																						587

Y4060 METRIC
(NOT TO SCALE)



DIMENSIONS

STARJET BURNER SJ750 – SJ980



Y3351
(NOT TO SCALE)

(See Reverse Side for Metric Dimensions)

In accordance with Hauck's commitment to Total Quality Improvement, Hauck reserves the right to change the specifications of products without prior notice.

HAUCK MANUFACTURING CO., P.O. Box 90, Lebanon, PA 17042-0090 717-272-3051

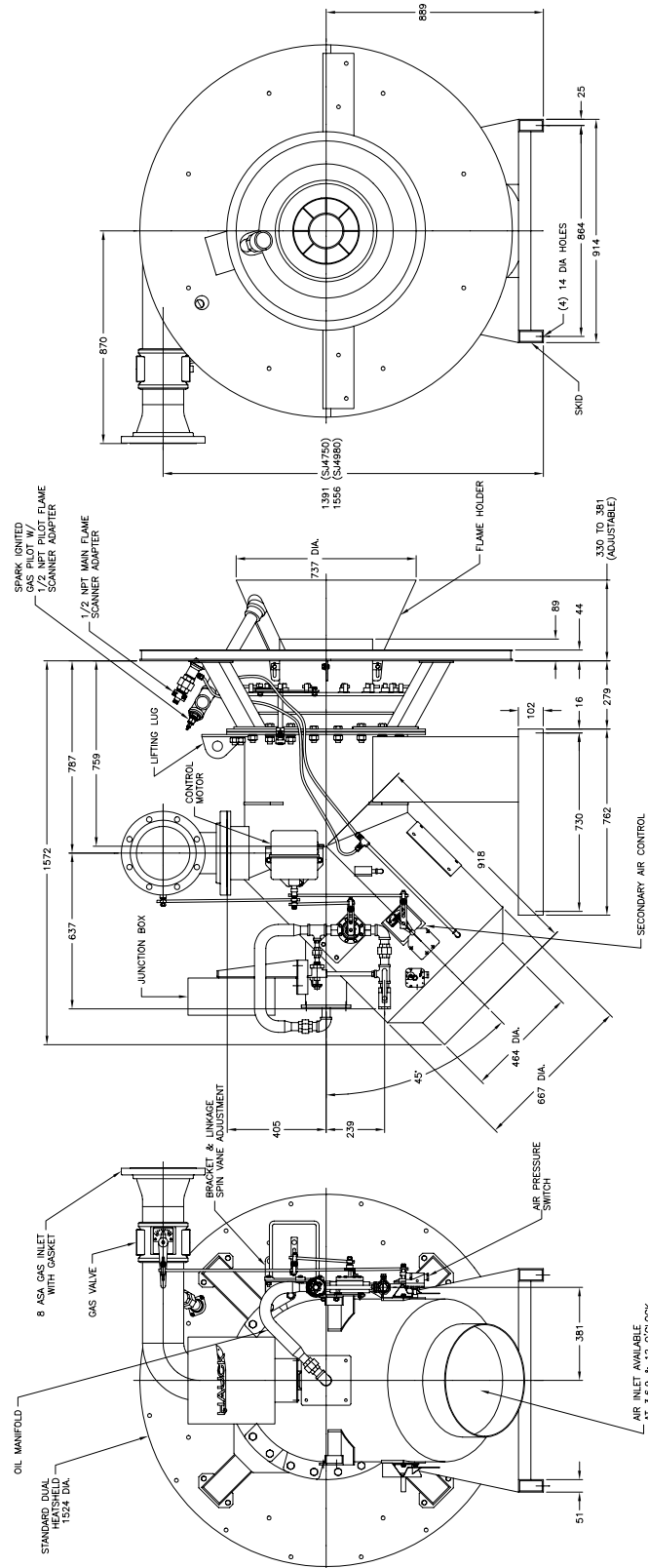
11/04

www.hauckburner.com

Fax: 717-273-9882

SJ-3.1

METRIC DIMENSIONS



Y3351 METRIC
(NOT TO SCALE)

NOTE:
1. ALL DIMENSIONS ARE IN MM.