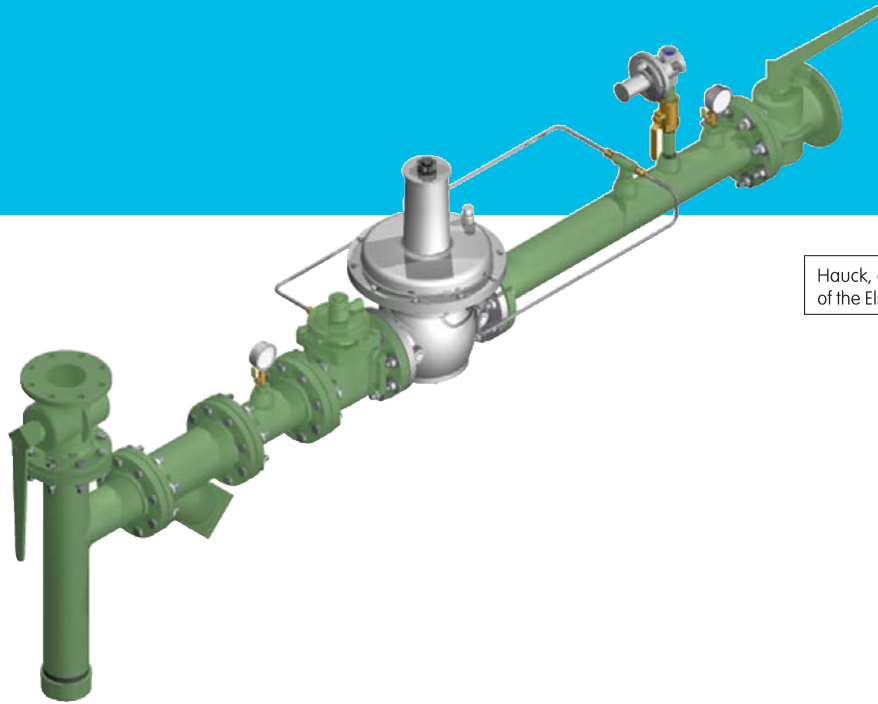


# RGM

## Regulator Gas Manifold

RGM-1  
Edition 09-08



Hauck, a product brand  
of the Elster Group



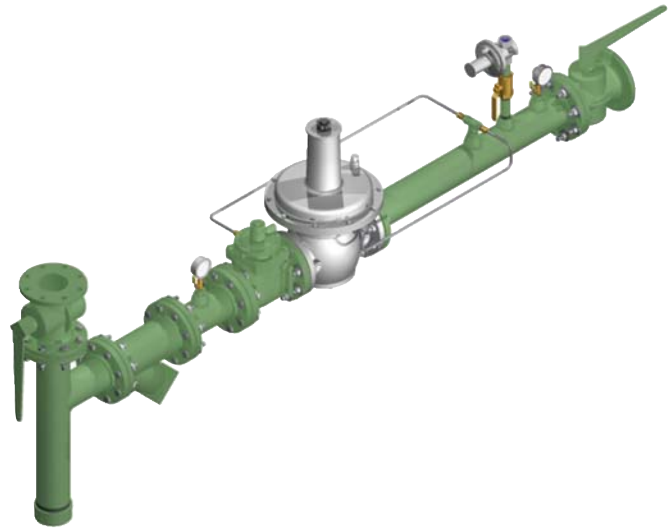
- Prepiped and assembled for easy installation
- Suitable for single and multiple burner applications
- Provides overpressure protection and precise outlet pressure control
- Combine with Hauck's PGM, safety shutoff valve manifolds, for compact regulator and safety functionality
- Meets NFPA requirements which simplifies insurance approval for most burner installations
- Integrated pressure gauges and shutoff valves simplify leak testing and system troubleshooting
- Components optimally sized and preset to facilitate fast, trouble free start-up

The Hauck Regulator Gas Manifold is a factory assembled and pre-piped gas train that permits easy, fast installation. Each component has been optimally sized to provide for accurate and consistent gas pressure supply throughout the combustion system operating range. The RGM also offers overpressure protection to guard against damage to downstream components in the event of a main gas pressure regulator failure.

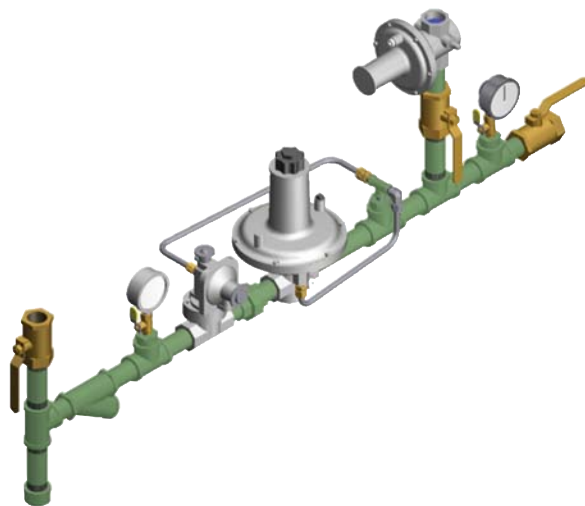
The Hauck RGM consists of isolation valves, sediment trap, strainer, pressure gauges, slam shut safety shutoff valve, main fuel gas regulator, a pressure relief valve and interconnecting piping.

The RGM is an integral part of a fuel gas supply system that meets NFPA requirements. In the event of regulator failure or system over-pressurization, the slam shut safety shutoff valve closes to prevent downstream component damage. Additional downstream components required per NFPA include Hauck's Pre-piped Gas Manifolds (PGMs) which are comprised of high and low gas pressure switches, a pressure gauge, automatic shutoff valves, an outlet manual shutoff valve, and leak test cocks.

Additional options include skid or rack mounted RGMs alone or in combination with pre-wired PGMs to facilitate insurance agency approvals, installation and startup.



**2440 Series RGM**



**2410 Series RGM**

For additional information on this product, visit our website at:

[www.hauckburner.com](http://www.hauckburner.com)

Hauck Manufacturing Company  
POB 90  
Lebanon, PA 17042

T +1 717-272-3051  
F +1 717-273-9882  
[info@hauckburner.com](mailto:info@hauckburner.com)

Hauck, a product brand  
of the Elster Group



Copyright © 2008 Elster Group