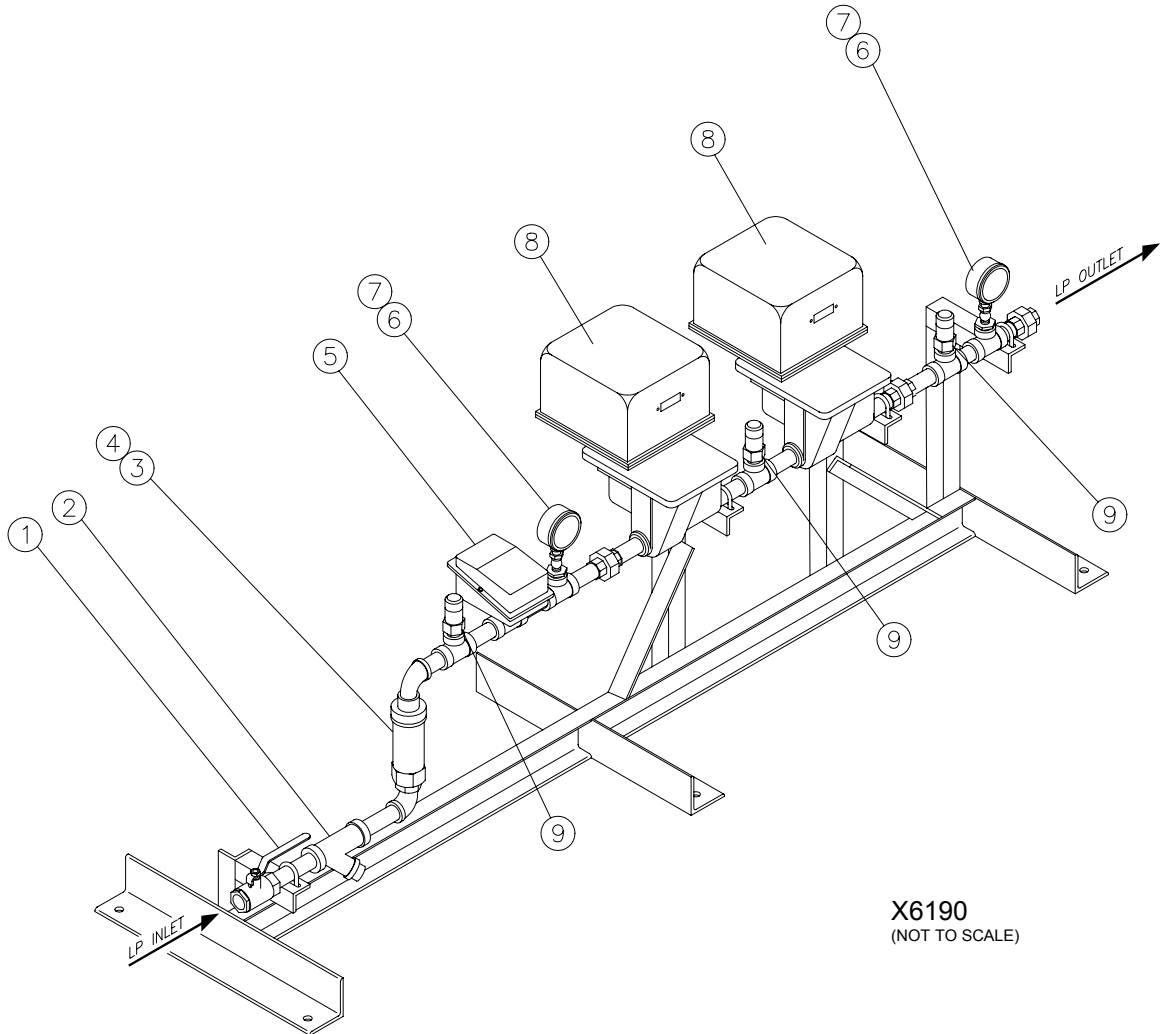




**PREPIPED LP MANIFOLD  
PLPM 207 - PLPM 212**



**X6190**  
(NOT TO SCALE)

**Key**

<u>No.</u>	<u>Description</u>	<u>PLPM 207-1</u>	<u>PLPM 207-2</u>	<u>PLPM 212-1</u>	<u>PLPM 212-2</u>
1	Valve, Manual Ball	41607	41607	41609	41609
2	Strainer	20607	20607	20608	20608
3	Flow Meter	43104x003	43104x002	43105	43105
4*	Flow Meter Replacement Glass	---	---	---	---
5	Switch, Low/High Pressure	301174	301174	301174	301174
6	Gauge, Liquid Filled 0-400 psig	37353	37353	37353	37353
7	Snubber, 1/4 NPT	37354	37354	37354	37354
8	Valve, Automatic Safety Shutoff	60351	60351	60655	60655
9	Relief Valve, External Overpressure	46956	46956	46956	46956

\* Consult Hauck