

## COMBUSTION CONTROL ACCESSORIES OIL PRESSURE RELIEF VALVES (OPRV)



Oil pressure relief valves are used to control oil supply pressure in combustion systems. The relief valve can be utilized for single-burner applications or in supply headers for multiple-burner applications.

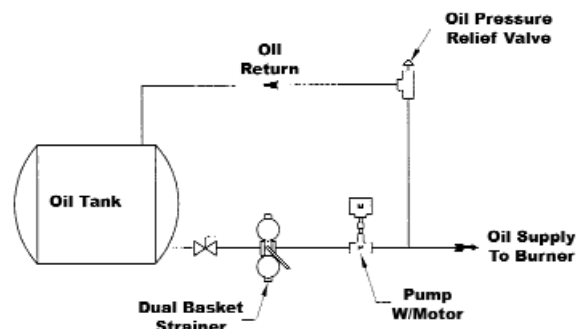
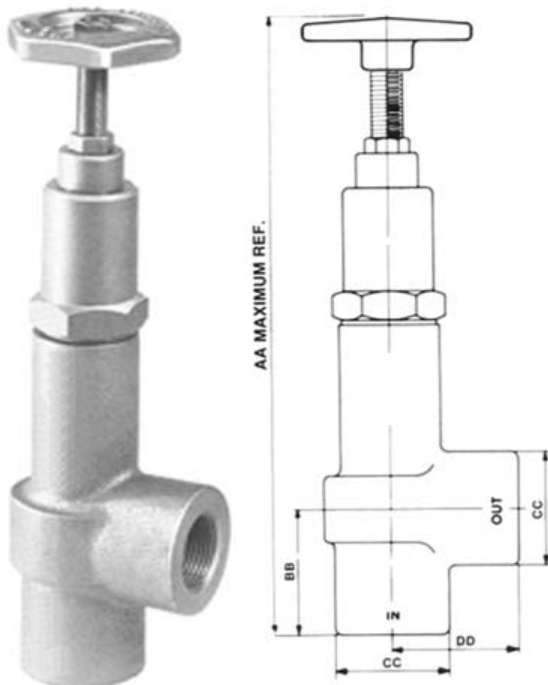
The valves in this series are suitable for most combustion applications. Maximum fluid temperature is 400°F (204°C) for all valves. The HVB models are suitable for light oil, No. 4, 5, & 6 fuels oils, Bunker C and waste oils. The valves in the HVB series use a hand wheel adjustment with locking nut. All valves feature NPT connections.

### Oil Pressure Relief Valves

Model No.	Hauck Part No.	Conn. Size NPT	Flow Capacity	Spring Pressure Range
HVB-03	61161	3/8	4 gpm @ 10 psi rise	30 - 100 psi
HVB-05	61162	1/2	4.4 gpm @ 10 psi rise	30 - 100 psi
HVB-07	61163	3/4	8 gpm @ 10 psi rise	30 - 100 psi
HVB-07	37350	3/4	7.2 gpm @ 5 psi rise	7 - 35 psi
HVB-10	61159	1	16 gpm @ 10 psi rise	30 - 100 psi
HVB-12	61164	1 1/4	20 gpm @ 10 psi rise	30 - 100 psi
HVB-12	37351	1 1/4	23 gpm @ 5 psi rise	7 - 35 psi

### Dimensions (Inches/mm)

Model No.	AA	BB	CC	DD	EE
HVB-03	8 1/8	1 11/32	1 3/16	1 3/8	7/8
HVB-05	9 5/8	1 11/16	1 7/16	1 7/16	1 1/8
HVB-07	9 3/16	1 11/16	1 11/16	1 3/16	1 3/8
HVB-10	12 7/16	2 9/32	2 1/16	2 9/32	1 3/8
HVB-12	13 7/16	2 9/16	2 1/2	2 9/16	1 5/8



X7025

OPRV-1