

Hauck Manufacturing Company

COMBUSTION CONTROL ACCESSORIES OIL PRESSURE REGULATOR (OPR)



Oil pressure reducing regulators are necessary to step down oil supply pressure to pressures suitable for various burner/combustion applications.

B and BBC oil pressure reducing regulators are single seated, spring loaded, direct acting regulators that will reduce a high inlet pressure down to lower operating pressures commonly found on industrial oil burners. B model outlet pressure ranges are listed below and are suitable for No. 1 and 2 fuel oil and kerosene. Maximum inlet operating pressure is 150 psig (1034 kPa). The regulators may also be used for air service. Fluid temperature must not exceed 200°F (93°C). BBC regulators are suitable for No. 4, 5 & 6 fuel oil, Bunker C and waste oils. The valve is suitable for fluid temperatures up to 400°F (204°C). Maximum inlet pressure is 250 psig (1724 kPa). The 1000HP-1+6 atomizing air differential pressure regulator is used to proportion compressed air flow to fuel (typically for heavy oil applications).

Direct Acting Oil Pressure Regulators

Model No.	Hauck Part No.	Conn. Size NPT	Outlet Pressure Range (psi)	Oil Flow @ 100 psi inlet pressure	Air Flow
B-01	62926	¼	20-100	102 gph @ 50 psid 96 gph @ 25 psid	900 scfh @ 50 psi 720 scfh @ 75 psi
B-03	62927		40-110	192 gph @ 50 psid 180 gph @ 25 psid	1,350 scfh @ 50 psi 1,080 scfh @ 75 psi
B-05	62928	½	30-125	480 gph @ 50 psid 444 gph @ 25 psid	3,130 scfh @ 50 psi 2,520 scfh @ 75 psi
B-10	62929	1	55-100	980 gph @ 50 psid 965 gph @ 25 psid	7,200 scfh @ 50 psi 5,760 scfh @ 75 psi
B-12	62930	1¼	45-100	2,470 gph @ 50 psid 1,590 gph @ 25 psid	10,800 scfh @ 50 psi 8,640 scfh @ 75 psi
BBC-05	62931	½	40-120	480 gph @ 50 psid 444 gph @ 25 psid	N/A
BBC-10	11327	1	50-100	980 gph @ 50 psid 965 gph @ 25 psid	N/A
BBC-12	62932	1¼	20-60	2,460 gph @ 50 psid 1,590 gph @ 40 psid	N/A
1000HP-1+6	62933	½	10-50 psid	N/A	C _v =2.15



B & BBC



1000HP-1+6

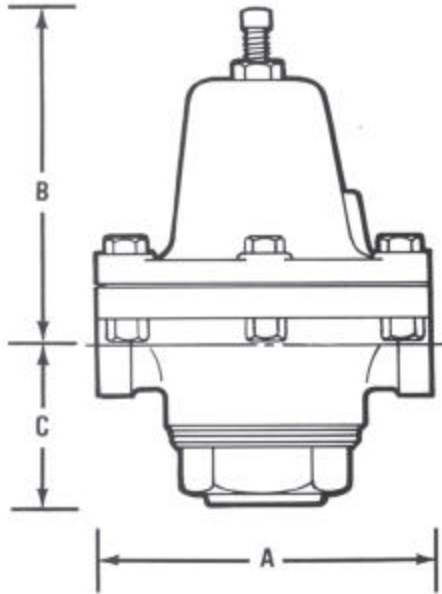
(OVER)

OPR-1

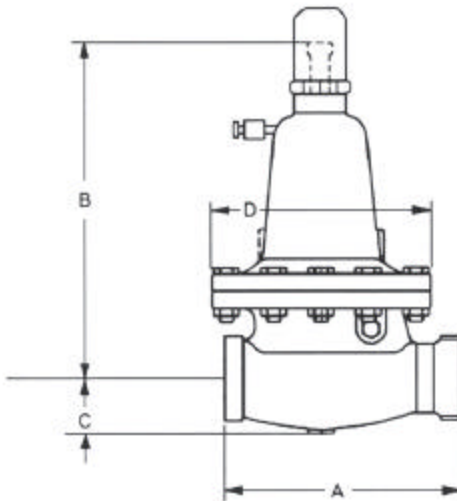
OIL PRESSURE REGULATOR (OPR)



Dimensions (Inches)



Model No.	A	B	C
B-01	3	2	1 ¾
B-03	3	4 ½	1 ¾
B-05	4 ½	4 ½	2
B-10	5	5	2
B-12	6 ¾	6	2
BBC-05	4 ½	4 ½	2
BBC-10	5	5	2
BBC-12	6 ¾	6	2



Model No.	A	B	C	D
1000HP-1+6	5.94	10.00	1.62	5.62

OPR-1