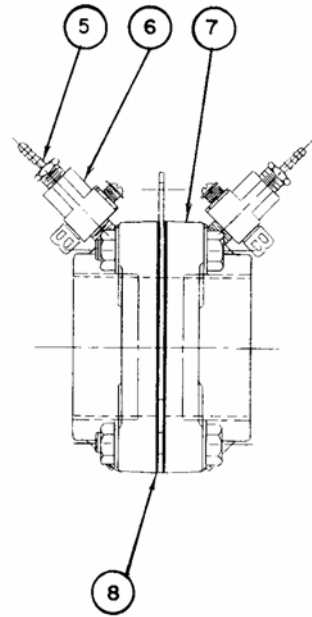
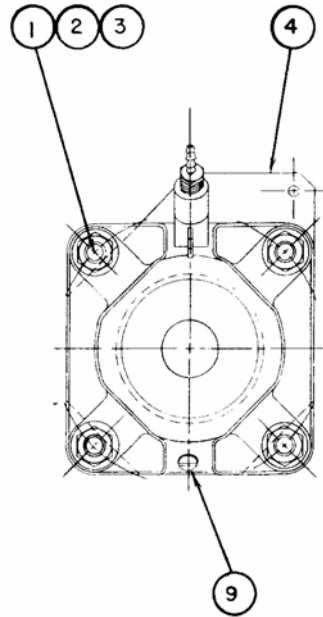


**ORIFICE METERS  
THREADED DESIGN**



X1502  
(NOT TO SCALE)

**Key**

No.	Description		OMG103	OMG105	OMG107	OMG110	OMG112	OMG115
1	Screw, Hex Hd Cap	(4 Req'd)	6939x014	6939x014	6939x014	6939x014	7236x016	7236x016
2	Washer	(8 Req'd)	7084	7084	7084	7084	7071	7071
3	Nut	(4 Req'd)	7021	7021	7021	7021	7237	7237
4	Plate, Orifice*		19752x	19752x	19752x	19752x	19753x	19753x
5	Coupling, Tubing 1/8 NPT Barbed	(2 Req'd)	18720	18720	18720	18720	18720	18720
6	Valve, Shutoff	(2 Req'd)	38976	38976	38976	38976	38976	38976
7	Flange, Orifice	(2 Req'd)	41576	41578	19650	19757	19636	19758
8	Gasket	(2 Req'd)	19779	19779	19779	19779	19781	19781
9	Plug	(2 Req'd)	7189	7189	7189	7189	7189	7189

\* Specify orifice plate number stamped on plate.

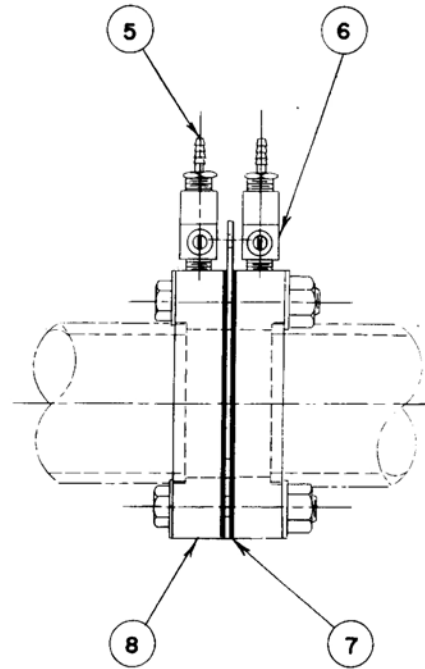
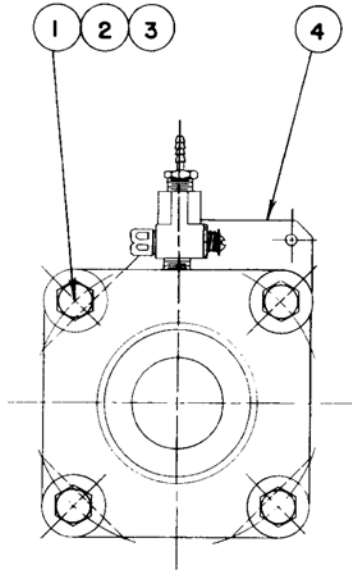
**Key**

No.	Description		OMG120	OMG125	OMG130	OMG140	OMA160
1	Screw, Hex Hd Cap	(4 Req'd)	7236x016	7236x016	7236x020	7236x020	6942x024
2	Washer	(8 Req'd)	7071	7071	7071	7071	7079
3	Nut	(4 Req'd)	7237	7237	7237	7237	7240
4	Plate, Orifice*		19754x	19754x	19755x	19755x	19756x
5	Coupling, Tubing 1/8 NPT Barbed	(2 Req'd)	18720	18720	18720	18720	18720
6	Valve, Shutoff	(2 Req'd)	38976	38976	38976	38976	38976
7	Flange, Orifice	(2 Req'd)	19649	19648	19657	19659	19660
8	Gasket	(2 Req'd)	19783	19783	19785	19786	19787
9	Plug	(2 Req'd)	7189	7189	7189	7189	7189

\* Specify orifice plate number stamped on plate.

This page left intentionally blank.

## ORIFICE METERS WELDED DESIGN



X1503  
(NOT TO SCALE)

**Key**

No.	Description		<u>OMG207</u>	<u>OMG210</u>	<u>OMG212</u>	<u>OMG215</u>	<u>OMG220</u>
1	Screw, Hex Hd Cap (4 Req'd)		7241x018	7241x018	7236x018	7236x018	7236x018
2	Washer (8 Req'd)		7084	7084	7071	7071	7071
3	Nut (4 Req'd)		7021	7021	7237	7237	7237
4	Plate, Orifice*		19752x	19752x	19753x	19753x	19754x
5	Coupling, Tubing 1/8 NPT Barbed (2 Req'd)		18720	18720	18720	18720	18720
6	Valve, Shutoff (2 Req'd)		38976	38976	38976	38976	38976
7	Gasket (2 Req'd)		19779	19779	19781	19781	19783
8	Flange, Orifice (2 Req'd)		19770	19771	19772	19773	19774

\* Specify orifice plate number stamped on plate.

**Key**

No.	Description		<u>OMG225</u>	<u>OMG230</u>	<u>OMG240</u>	<u>OMG260</u>
1	Screw, Hex Hd Cap (4 Req'd)		7236x018	7236x018	7236x018	7239x020
2	Washer (8 Req'd)		7071	7071	7071	7079
3	Nut (4 Req'd)		7237	7237	7237	7240
4	Plate, Orifice*		19754x	19755x	19755x	19756x
5	Coupling, Tubing 1/8 NPT Barbed (2 Req'd)		18720	18720	18720	18720
6	Valve, Shutoff (2 Req'd)		38976	38976	38976	38976
7	Gasket (2 Req'd)		19783	19785	19786	19787
8	Flange, Orifice (2 Req'd)		19775	19776	19777	19778

\* Specify orifice plate number stamped on plate.

This page left intentionally blank.