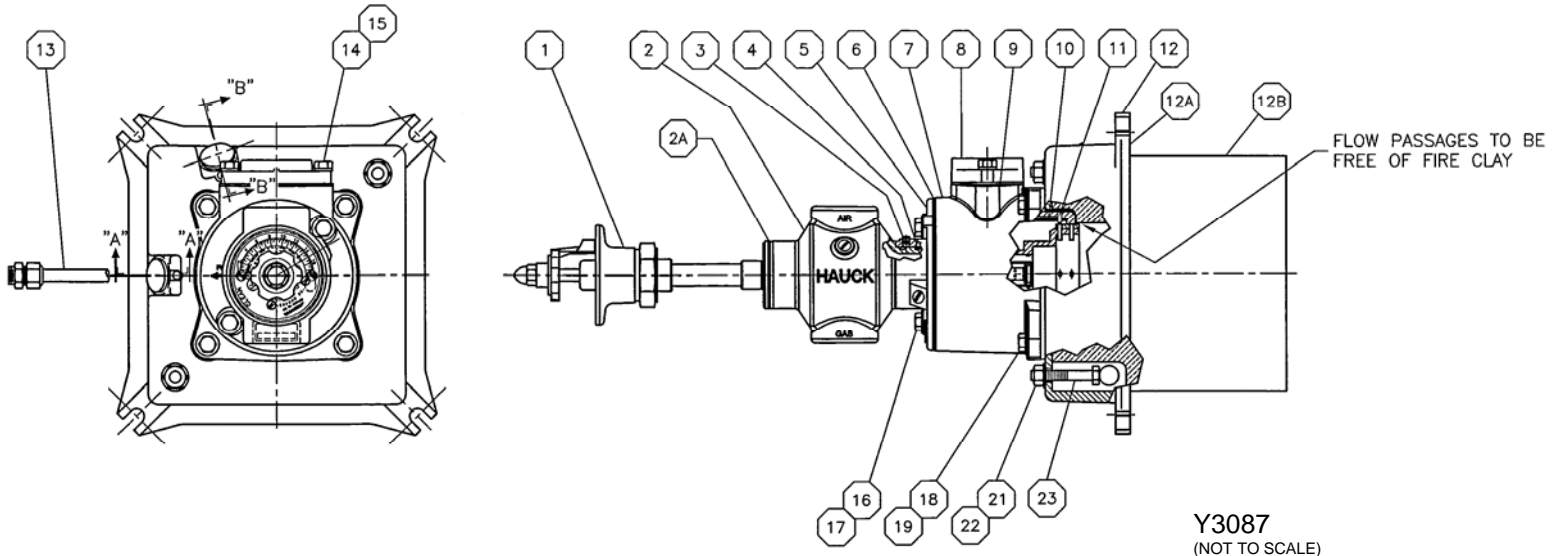
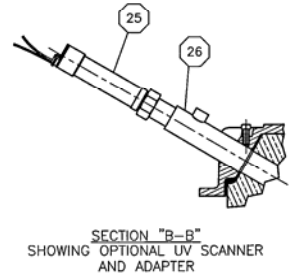
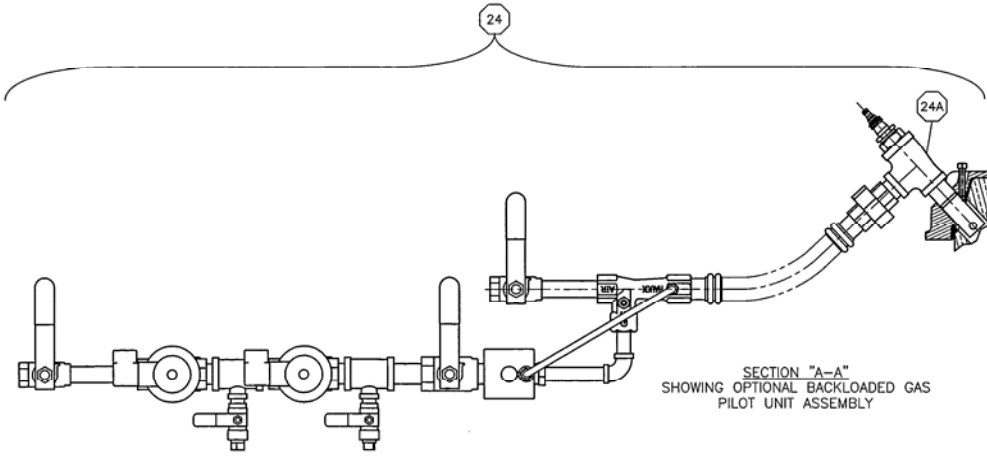


## NOZZLE MIX COMBINATION BURNER NMC 210B, NMC215B (Includes NMC-H Models)



Key No.	Description	<u>NMC210B</u>	<u>NMC215B</u>
1	Valve Assembly	45836	42571
2	Atomizer Assembly	S-3-2C	S-3-3C
2A	Gasket, Atomizer Assembly	14587	14588
3	Screw, Hex Soc. Hd. Cone Pt. Set	6849	6849
4	Packing O-Ring	(2 Req'd) 6958x003	6958x003
5	Internal Assembly	7043x129	7043x129
6	Gasket	14573	14574
7	Body, Burner	5212	5213
8	Flange, Pipe	7673	7623
9	Gasket, Pipe Flange	2505	2350
10	Sleeve	2798	2799
11	Pin, Groove	8332	8336
12	Plate & Tile Assembly	7193	7193
12A	Plate, Furnace Mounting	37629	37630
12B	Tile	36017	36020
13	Tube Assembly	36018	36019
14	Screw, Hex Hd. Cap	14135	14135
15	Washer, Plain	(4 Req'd) 15650	14801
16	Screw, Hex Hd. Cap	(2 Req'd) 7082	7082
17	Washer, Plain	(4 Req'd) 6939x007	6939x007
18	Screw, Hex Hd. Cap	(2 Req'd) 7091	7091
19	Washer, Plain	(4 Req'd) 6939x007	6939x007
21	Nut, Hex Heavy	(6 Req'd) 7091	7091
22	Washer, Plain	(2 Req'd) 7021	7021
23	Lock Assembly, Tile Mounting	(6 Req'd) 7091	7091
		(2 Req'd) 38103	13368



Y3087  
(NOT TO SCALE)

Key

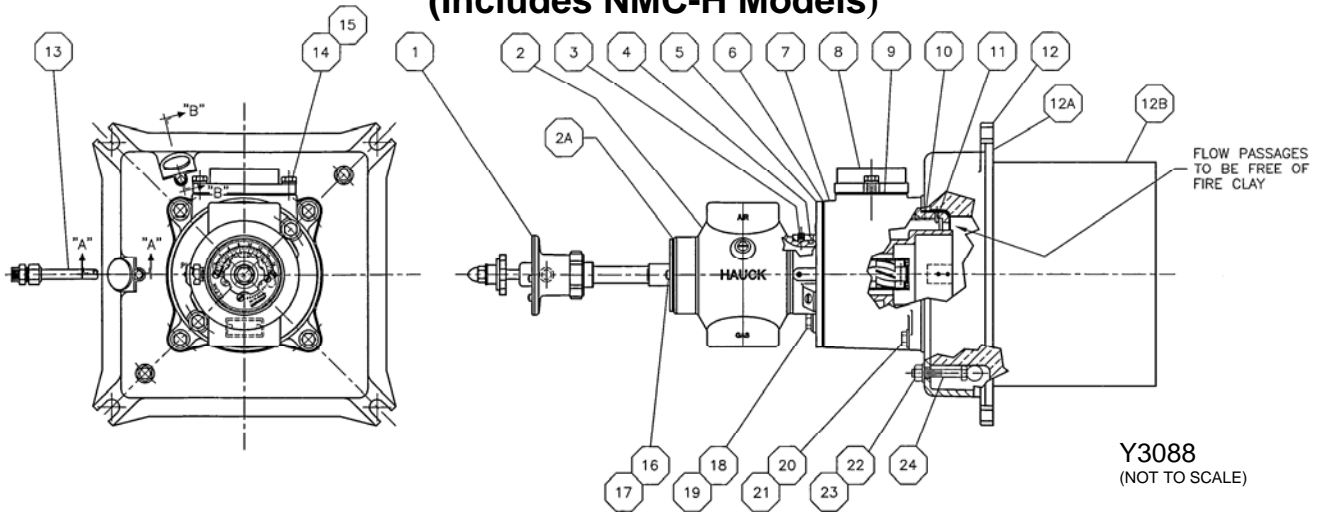
No.	Description	NMC210B	NMC215B
NMC-H Models			
5	Internal Assembly	41847	41935
10	Sleeve	42376	42375
OPTIONAL			
24	Pilot Unit Assembly, Backloaded Gas		
	Kromschroder	13740-003	13740-003
	Asco	13740-001	13740-001
24A	Pilot Assembly	12790	12790
25	UV Scanner	20579	20579
26	Adapter Assembly, UV Scanner	37811	37811

Note: For the NMC 210 and 215, if the air inlet is in line with the gas pilot connection, a special 45° gas pilot assembly is required; consult Hauck.



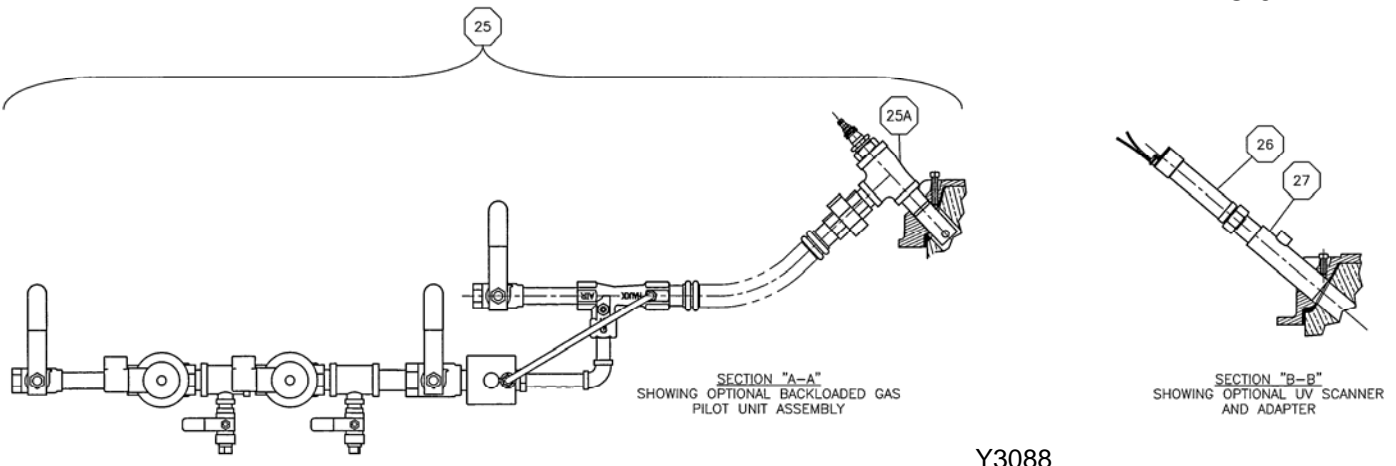
# PARTS LIST

## NOZZLE MIX COMBINATION BURNER NMC220B, NMC230B, NMC240C (Includes NMC-H Models)



### Key

No.	Description	NMC220B	NMC230B	NMC240C
1	Valve Assembly	42572	42573	42574
2	Atomizer Assembly	S-3-5C	S-3-7C	S-3-9C
2A	Gasket, Atomizer Assembly	74532	74542	74550
3	Screw, Hex Soc Hd Cone Pt Set (2 Req'd)	6898	6898	8125x001
4	Packing, O-Ring	6958x003	6958x003	6958x003
5	Backplate Assembly, Body	7045x230	7045x230	7045x241
6	Gasket, Burner Backplate	14619	14620	41987
7	Body, Burner	5214	5216	8118
8	Flange, Pipe	6935	6936	7507
9	Gasket, Pipe Flange	2506	2584	8150
10	Sleeve	2800	2801	8151
11	Pin, Groove	6950	6949	8117
12	Plate & Tile Assembly	7193	7193	7193
12A	Plate, Furnace Mounting	37631	37632	37633
12B	Tile	36025	36026	36027
13	Tube Assembly	36015	36016	36022
14	Screw, Hex Hd Cap (2 Req'd)	14135	14135	14135
15	Washer, Plain (2 Req'd)	6939x007	7236x008	6940x010
	(4 Req'd-240)	7082	7083	7076
16	Screw, Hex Hd Cap (4 Req'd)	---	---	6938x008
17	Washer, Plain (4 Req'd)	---	---	7087
18	Screw, Hex Hd. Cap (2 Req'd)	6939x007	7236x008	6940x010
19	Washer, Plain (2 Req'd)	7091	7083	7076
20	Screw, Hex Hd. Cap (4 Req'd)	6939x007	7236x008	6940x010
	(8 Req'd-240)			
21	Washer, Plain (4 Req'd)	7091	7083	7083
22	Nut, Hex Heavy (2 Req'd)	7021	7021	7026
	(4 Req'd-240)			
23	Washer, Plain (2 Req'd)	7091	7083	7083
	(4 Req'd-240)			
24	Lock Assembly, Tile Mounting (2 Req'd)	13368	13368	15310



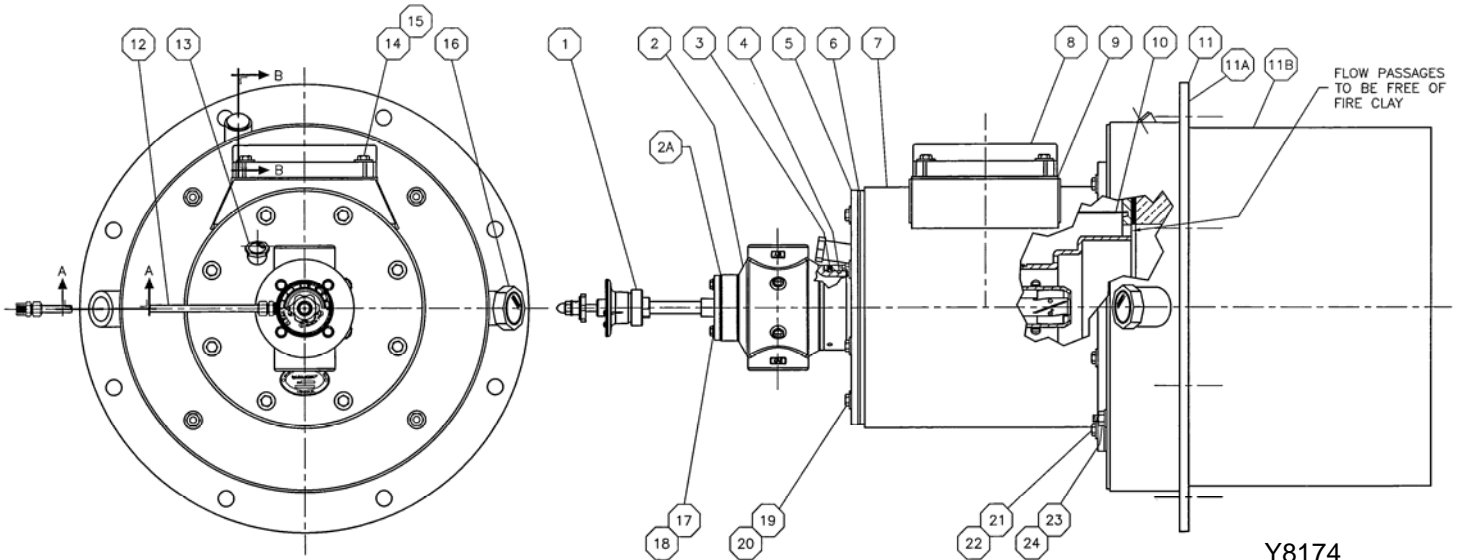
Y3088  
(NOT TO SCALE)

Key

No.	Description	<u>NMC220B</u>	<u>NMC230B</u>	<u>NMC240C</u>
<b>NMC-H Models</b>				
5	Internal Assembly	42032	42034	41943
10	Sleeve	42378	42379	18978
<b>OPTIONAL</b>				
25	Pilot Unit Assembly, Backloaded Gas			
	Kromschroder	13740-003	13740-003	13742-003
	Asco	13740-001	13740-001	13742-001
25A	Pilot Assembly	12790	12790	12792
26	UV Scanner	20579	20579	20579
27	Adapter Assembly, UV Scanner	37811	37811	37811

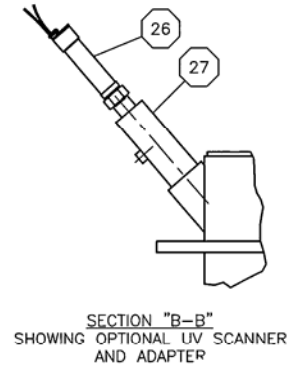
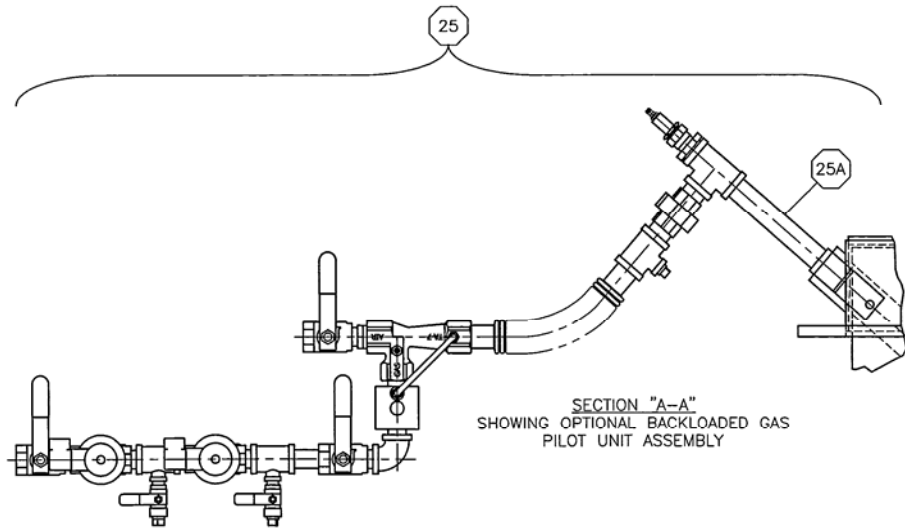
Note: For the NMC 220 and 230, if the air inlet is in line with the gas pilot connection, a special 45° gas pilot assembly is required; consult Hauck.

## NOZZLE MIX COMBINATION BURNER NMC260A (Includes NMC-H)



Y8174  
(NOT TO SCALE)

Key	Description	NMC260A
<u>No.</u>		
1+	Valve Assembly	42575
		S-3-11C
2	Atomizer Assembly	16332
2A	Gasket, Atomizer Assembly	8125x002
3	Screw, Soc. Hd., Cone Pt. Set 1/4-20x3/8	(3 Req'd) 6958x003
4	Packing O-Ring	7045x241
5	Backplate Nozzle Assembly (Includes 5A,B,C,D & E)	16557
6	Gasket, Backplate Nozzle Assembly	9211
7	Body	16328
8	Flange, Pipe	5010A
9	Gasket, Flange	5011
10	Sleeve	9212
11	Plate & Tile Assembly	37634
11A	Plate, Furnace Mounting	36023
11B	Tile Assembly, Ignition (W/ Studs Less Fasteners)	36024
12	Tube Assembly, Copper	14135
13	Port, Observation	12718
14	Washer, Plain	(4 Req'd) 7076
15	Screw, Hex Hd. Cap	(4 Req'd) 7236x012
16	Port, Observation	12268
17	Washer	(4 Req'd) 7088
18	Screw, Hex Hd. Cap	(4 Req'd) 6938x008
19	Screw, Hex Hd. Cap	(8 Req'd) 7236x008
20	Screw, Hex Hd. Cap	7236x012
21	Screw, Hex Hd. Cap	(8 Req'd) 7236x008
22	Washer	(8 Req'd) 7076
23	Nut, Hex Heavy	(4 Req'd) 7023
24	Washer, Plain	(4 Req'd) 7076



Y8174  
(NOT TO SCALE)

Key

No.    Description

NMC-H Models:

5        Backplate Nozzle Assembly (Includes 5A,B,C,D & E)  
10       Sleeve

NMC260A

41949  
42377

OPTIONAL

25       Pilot Unit Assembly, Backloaded Gas  
          Kromschroder  
          Asco  
25A      Pilot Assembly  
26       UV Scanner  
27       Adapter Assembly, UV Scanner

45730x001-002  
45730x001-001  
30939x001  
20579  
37811