



**ISER SINGLE ENDED RECUPERATIVE BURNER
FOR IMMERSION FIRING**

BURNER MODEL ISER 115C

	STATIC AIR PRESSURE (OSIG) AT BURNER INLET TAP				
	1 OSIG	2 OSIG	4 OSIG	8 OSIG	10 OSIG
Burner Input @ 10% Excess Air (Btu/hr)	77,690	110,000	154,400	237,400	270,200
Max. Air Flow (Not Firing) (scfh)					---
Max. Air Flow (scfh)	805	1,140	1,600	2,460	2,800
Burner Air Orifice ΔP ("wc)	---	---	---	---	---
Gas Inlet Pressure ("wc)	0.9	1.8	3.6	7.3	8.8
Max. Excess Air – Flame Rod (%)	---	---	---	---	---
Max. Excess Air – UV Scanner (%)	---	---	---	---	---
Min. Ignition Gas Flow (scfh)	20	20	20	20	20

NOTES:

1. Capacities based on natural gas with HHV of 1034 Btu/ft³, 0.59 S.G. and a stoichiometric air/gas ratio of 9.74:1 with burner firing into chamber under no pressure.
2. Air and gas flows based on 60°F @ sea level; capacities for preheated air will differ from those shown.
3. All data based on industry standard air and gas piping practices.
4. Flame detection available via flame rod or UV scanner.

(See Reverse Side for Metric Capacities)

In accordance with Hauck's commitment to Total Quality Improvement, Hauck reserves the right to change the specifications of products without prior notice.

METRIC CAPACITIES

ISER SINGLE ENDED RECUPERATIVE BURNER FOR IMMERSION FIRING

BURNER MODEL ISER 115C

	STATIC AIR PRESSURE (OSIG) AT BURNER INLET TAP				
	430 Pa	860 Pa	1725 Pa	3450 Pa	4310 Pa
Burner Input @ 10% Excess Air (kW)	20.6	29.1	40.8	62.8	71.4
Max. Air Flow (Not Firing) (nm ³ /hr)					---
Max. Air Flow (nm ³ /hr)	21.6	30.5	42.9	65.9	75.0
Burner Air Orifice ΔP (Pa)	---	---	---	---	---
Gas Inlet Pressure (Pa)	225	450	895	1,820	2,190
Max. Excess Air – Flame Rod (%)	---	---	---	---	---
Max. Excess Air – UV Scanner (%)	---	---	---	---	---
Min. Ignition Gas Flow (nm ³ /hr)	0.55	0.55	0.55	0.55	0.55

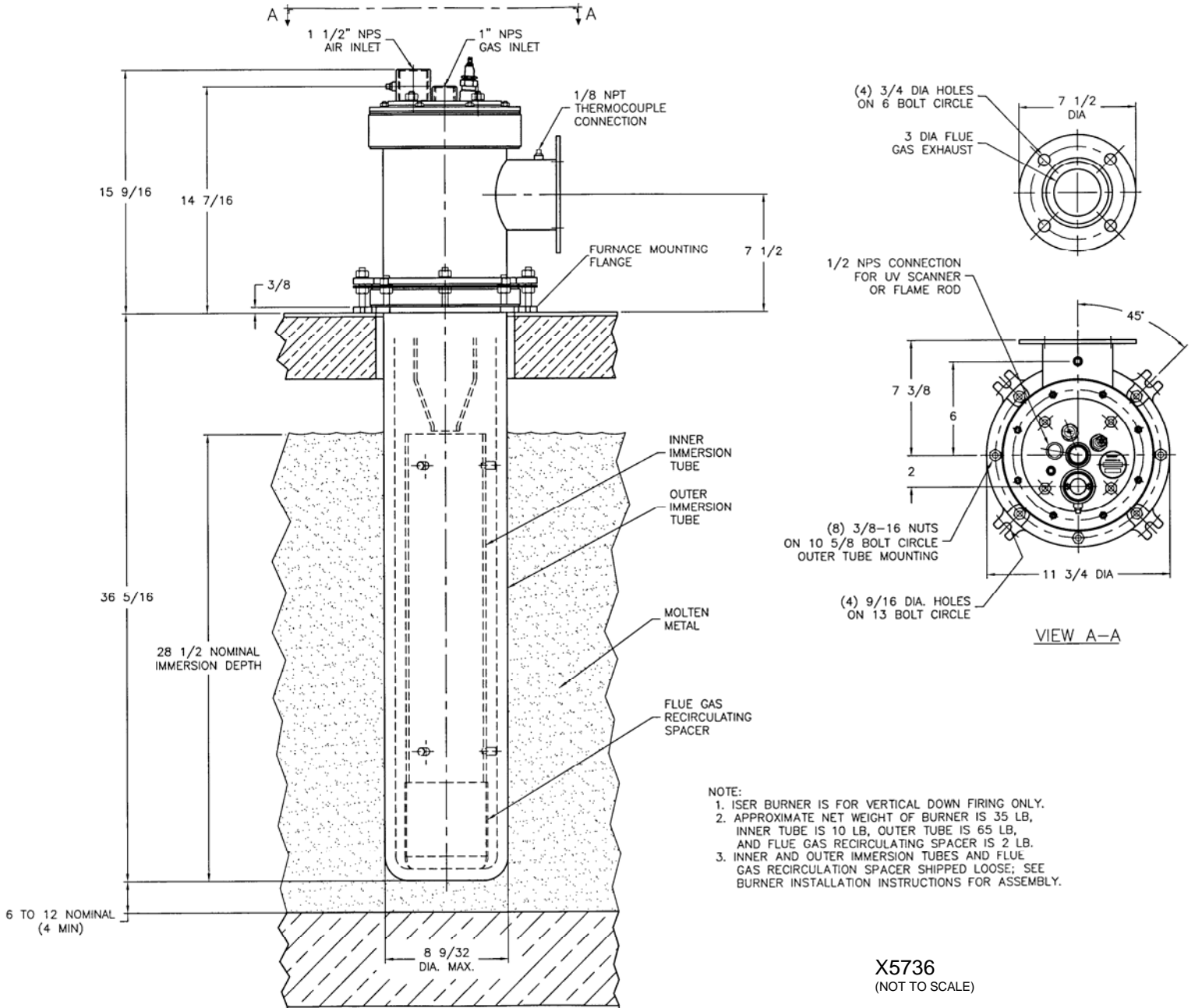
NOTES:

1. Capacities based on natural gas with LHV of 36.74 MJ/nm³, 0.59 S.G. and a stoichiometric air/gas ratio of 9.74:1 with burner firing into chamber under no pressure.
2. Air and gas flows based on 0°C @ sea level; capacities for preheated air will differ from those shown.
3. All data based on industry standard air and gas piping practices.
4. Flame detection available via flame rod or UV scanner.



DIMENSIONS

ISER SINGLE ENDED RECUPERATIVE BURNER FOR IMMERSION FIRING



(See Reverse Side For Metric Dimensions)

In accordance with Hauck's commitment to Total Quality Improvement, Hauck reserves the right to change the specifications of products without prior notice.

HAUCK MANUFACTURING CO., P.O. Box 90 Lebanon, PA 17042-0090 717-272-3051

7/06

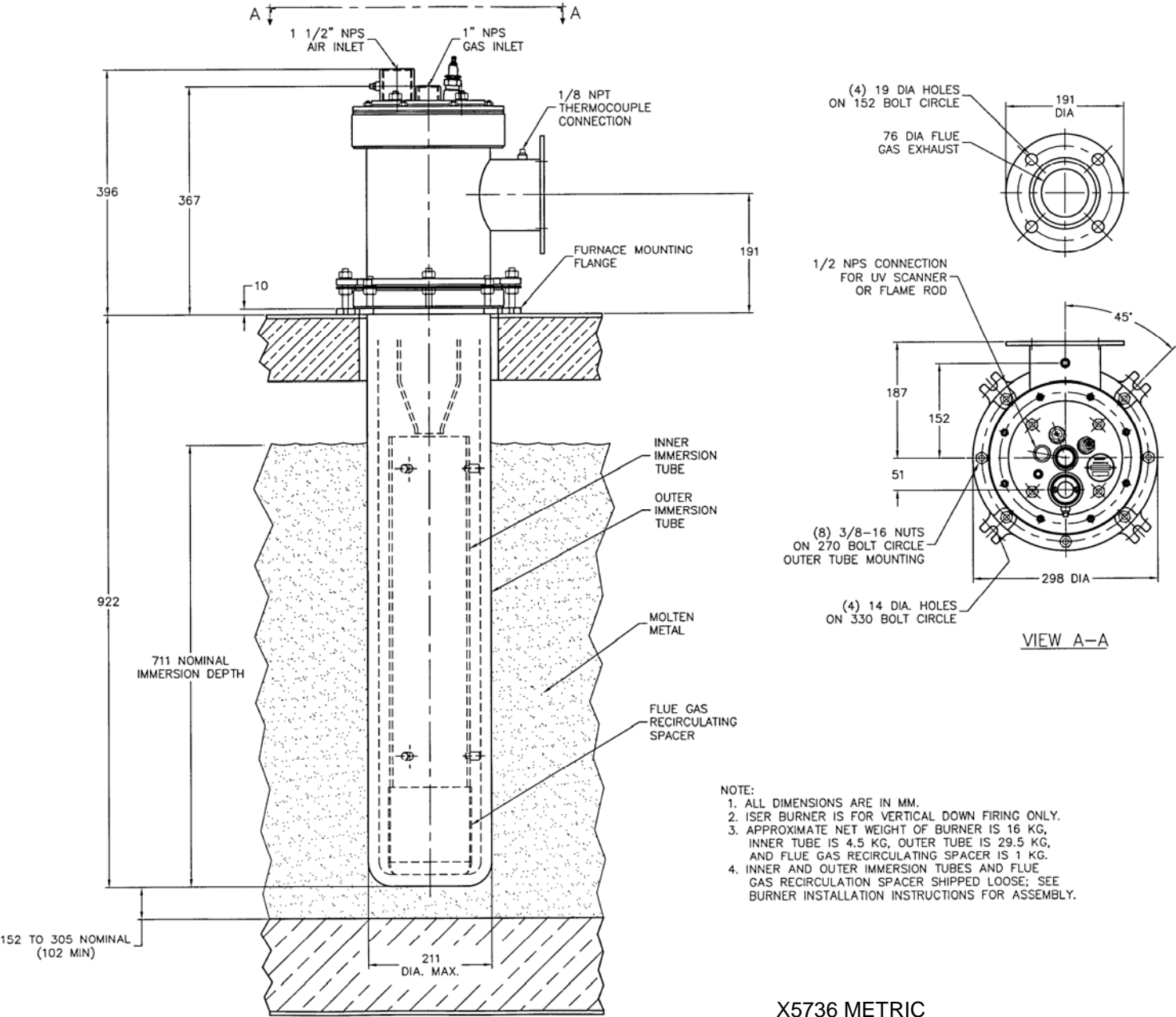
www.hauckburner.com

Fax: 717-273-9882

ISER-3

METRIC DIMENSIONS

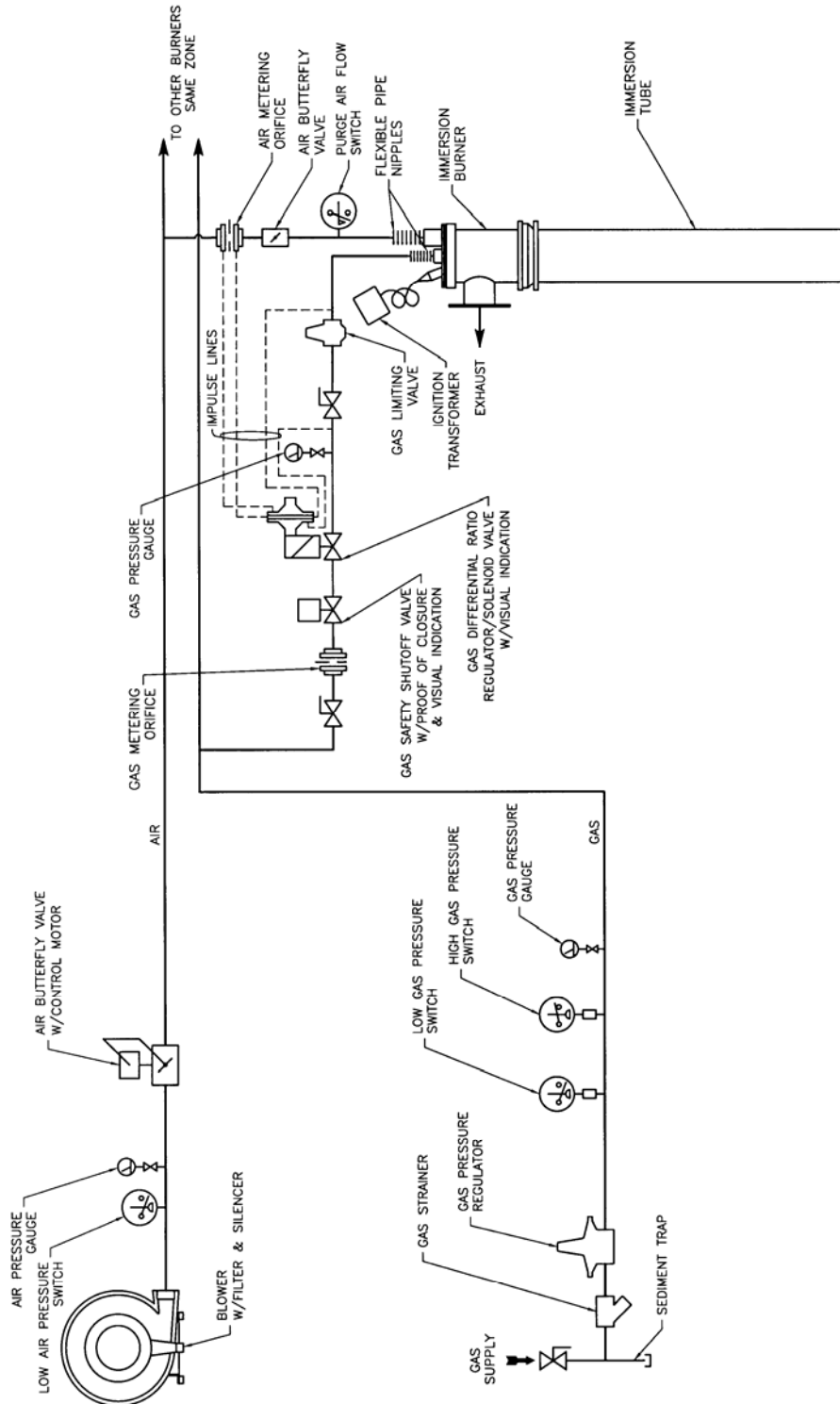
ISER SINGLE ENDED RECUPERATIVE BURNER FOR IMMERSION FIRING



X5736 METRIC
(NOT TO SCALE)

ISER SINGLE ENDED RECUPERATIVE BURNER FOR IMMERSION FIRING

TYPICAL MULTIPLE BURNER HIGH/LOW CONTROL



X5862
(NOT TO SCALE)

NOTES:
1. ISER BURNER SHOWN BUT CONTROL SCHEME IS ALSO APPLICABLE FOR FBG BURNER.

In accordance with Hauck's commitment to Total Quality Improvement, Hauck reserves the right to change the specifications of products without prior notice.

This page left intentionally blank.