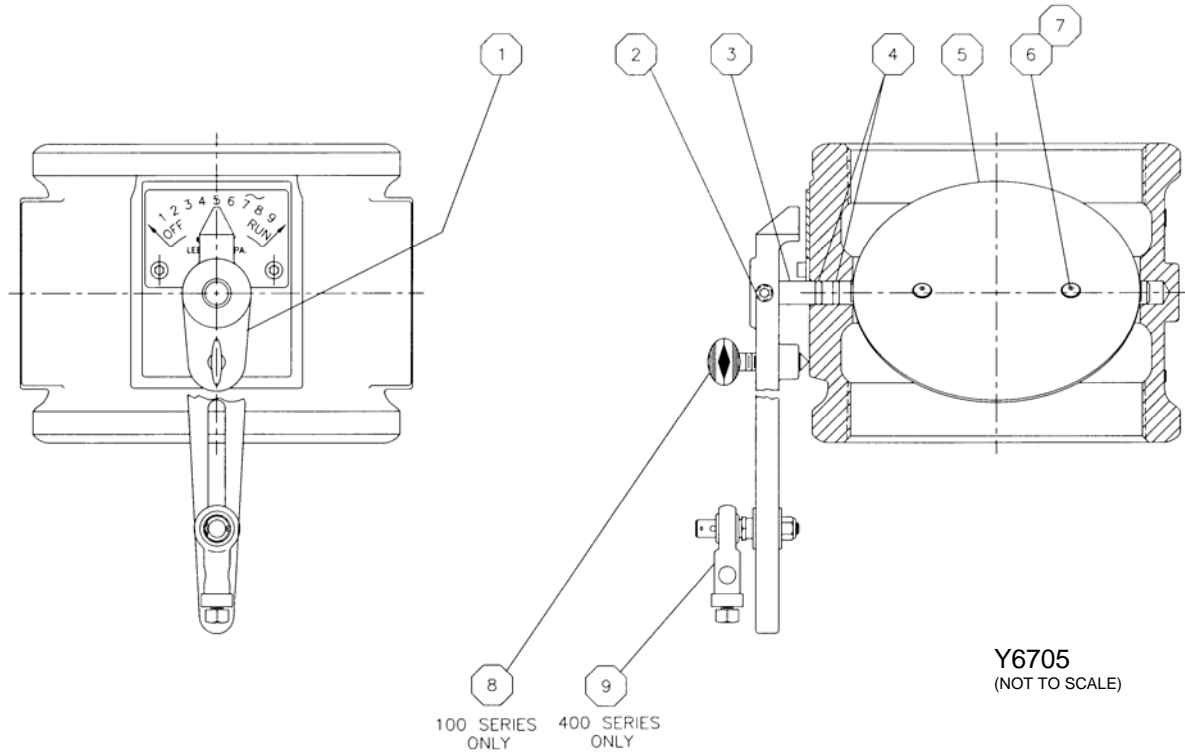




PARTS LIST

BVA BUTTERFLY AIR VALVES 100 & 400 SERIES



Key No.	Description	BVA110C	BVA112C	BVA115D BVA415D	BVA120C BVA420C	BVA125C BVA425C	BVA130C BVA430C	BVA140C BVA440C	BVA160C BVA460C
1	Lever	----	----						
1a	Lever (100 Series Only)	74100	74100	74100	74100	74100	74108	74108	74108
1b	Lever (400 Series Only)	44157	44157	44157	44157	44157	44188x001	44188x001	44188x001
2	Screw, Hex Socket Head Cone	7317x005	7317x005	7317x005	7317x005	7317x005	7317x006	7317x006	7317x006
3	Shaft	44341	44345	44349	44355	44361	44367	44373	44379
4	O-Ring	7324x010	7324x010	7324x010	7324x010	7324x010	7313x109	7313x109	7313x109
5	Disc	1318	1319	9016	1321	4442	1317	1323	1324
6	Screw, Round Head Machine	7432x003	7432x003	7432x003	7432x003	7432x003	7432x003	7432x003	7432x003
7	Washer, Std External Tooth	7112	7112	7112	7112	7112	7112	7112	7112
8	Screw, Locking (100 Series Only)	44162	44162	44162	44162	44162	44162	44162	44162
9	Connector Assembly, Single Bearing (400 Series Only)	---	---	14149	14149	14149	14149	14149	14149

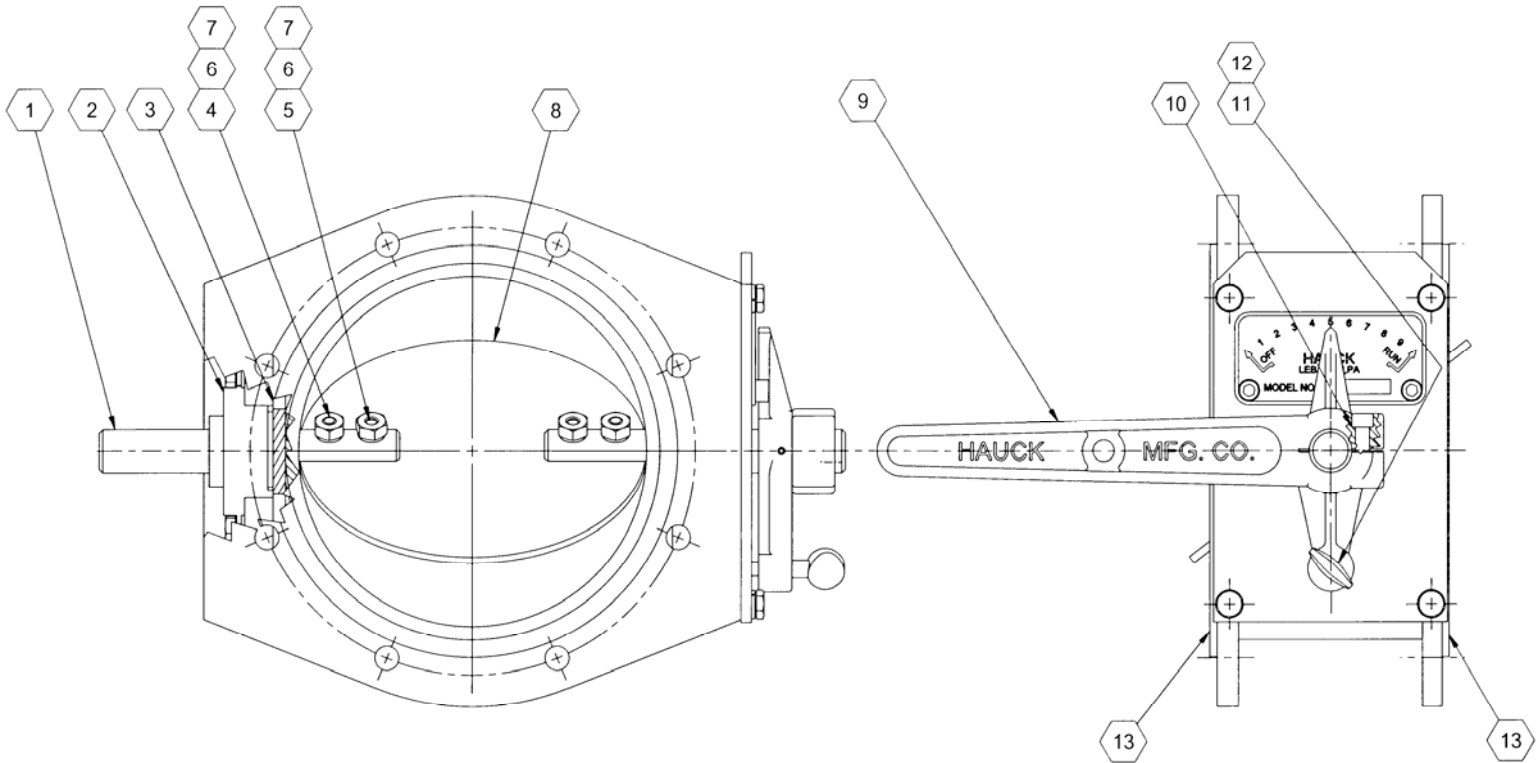
Y6705
(NOT TO SCALE)

(BVAH On Reverse Side)



PARTS LIST

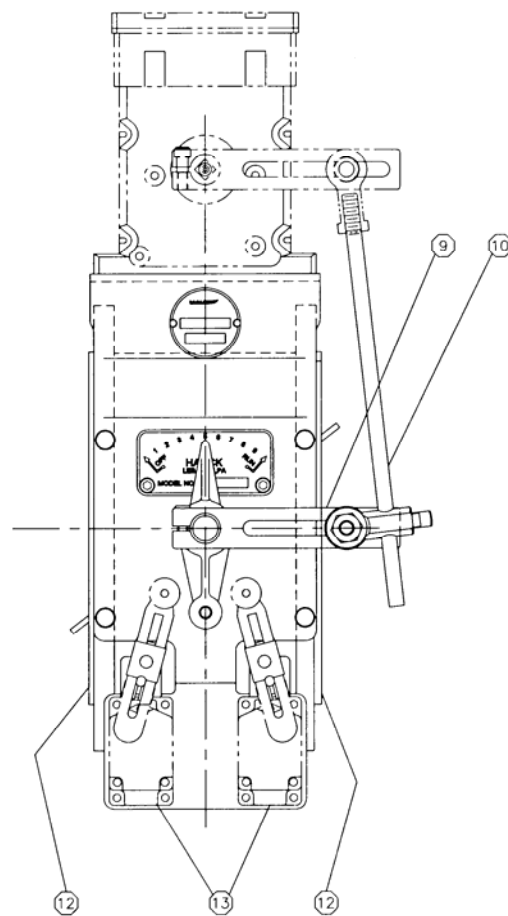
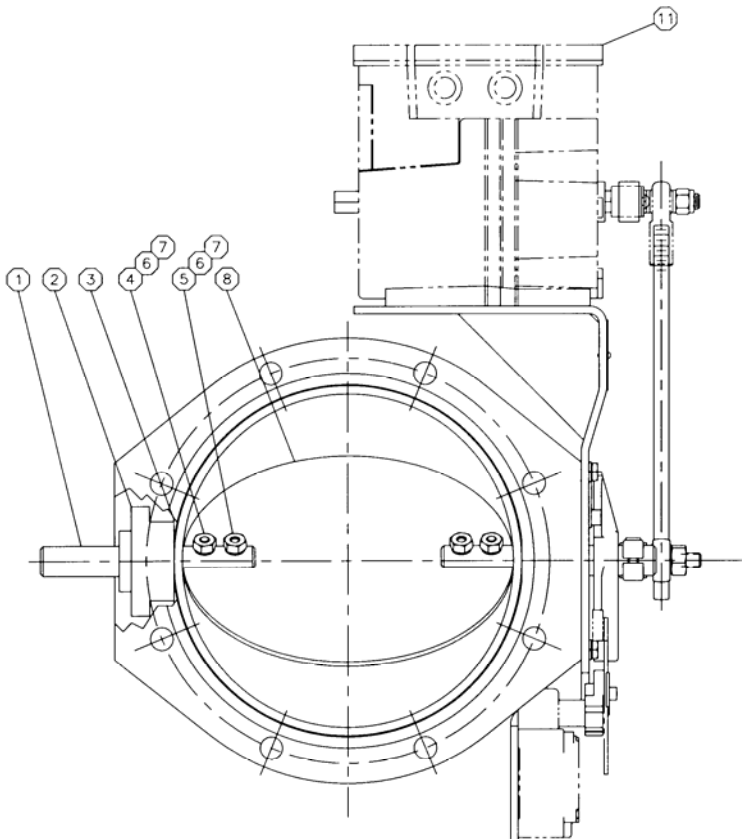
BUTTERFLY AIR VALVES 1000 & 4000 SERIES



Y8136
(NOT TO SCALE)

Key

No.	Description	BVA1060C	BVA1080C	BVA1100C
1	Shaft, Half	403158	403158	403158
2	Bearing, Flange Mounted Ball	301579	301579	301579
3	Gasket, Bearing	403375	403375	403375
4	Bolt, Shoulder	5368	5368	5368
5	Screw, Hex Head Cap	6938x008	6938x008	6938x008
6	Washer, Spring	7103	7103	7103
7	Nut, Hex Heavy	7018	7018	7018
8	Disc	5335	5336	5337
9	Lever	2741A	2741A	2741A
10	Screw, Hex Socket Head Cone	6966x008	6966x008	6966x008
11	Screw, Thumb	6990x004	6990x004	6990x004
12	Pin, Friction	301789	301789	301789
13	Gasket, Valve	8306	8307	8308



Y8139
(NOT TO SCALE)

Key

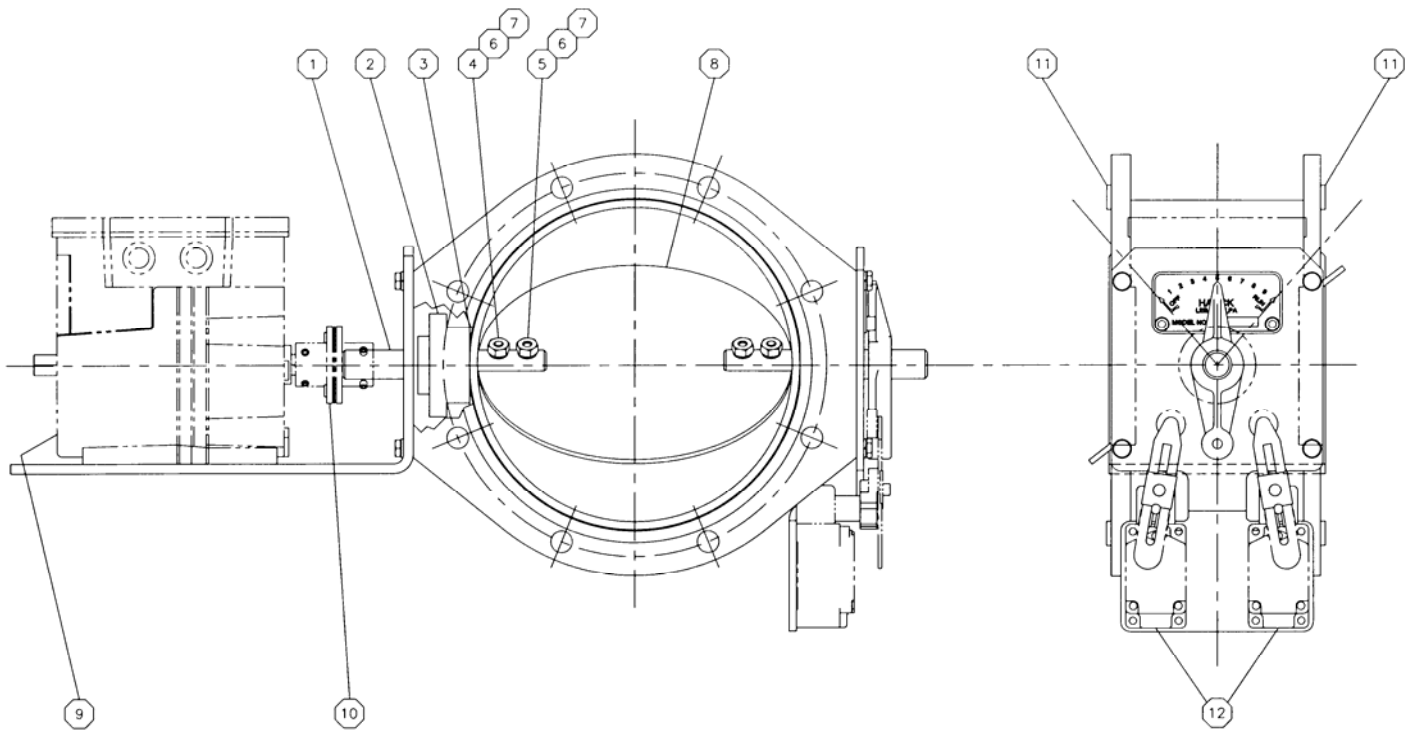
No.	Description
1	Shaft, Half
2	Bearing, Flange Mounted Ball
3	Gasket, Bearing
4	Bolt, Shoulder
5	Screw, Hex Head Cap
6	Washer, Spring
7	Nut, Hex Heavy
8	Disc
9	Lever Assembly
10	Linkage Rod
11	Control Motor
12	Gasket, Valve
13	Limit Switch

	<u>BVA4060C</u>	<u>BVA4080C</u>	<u>BVA4100C</u>
	403158	403158	403158
	301579	301579	301579
	403375	403375	403375
	5368	5368	5368
	6938x008	6938x008	6938x008
	7103	7103	7103
	7018	7018	7018
	5335	5336	5337
	11676	11676	11676
	9650x011	9650x011	9650x011
	Consult Hauck		
	8306	8307	8308
	20533	20533	20533



PARTS LIST

BUTTERFLY AIR VALVES 5000 SERIES



Y8140
(NOT TO SCALE)

Key

No.	Description	BVA5060	BVA5080	BVA5100
1	Shaft, Half	403158	403158	403158
2	Bearing, Flange Mounted Ball	301579	301579	301579
3	Gasket, Bearing	403375	403375	403375
4	Bolt, Shoulder	5368	5368	5368
5	Screw, Hex Head Cap	6938x008	6938x008	6938x008
6	Washer, Spring	7103	7103	7103
7	Nut, Hex Heavy	7018	7018	7018
8	Disc	5335	5336	5337
9	Control Motor	Consult Hauck		
10	Coupling, Flex	Consult Hauck		
11	Gasket, Valve	8306	8307	8308
12	Limit Switch	20533	20533	20533

This page left intentionally blank.