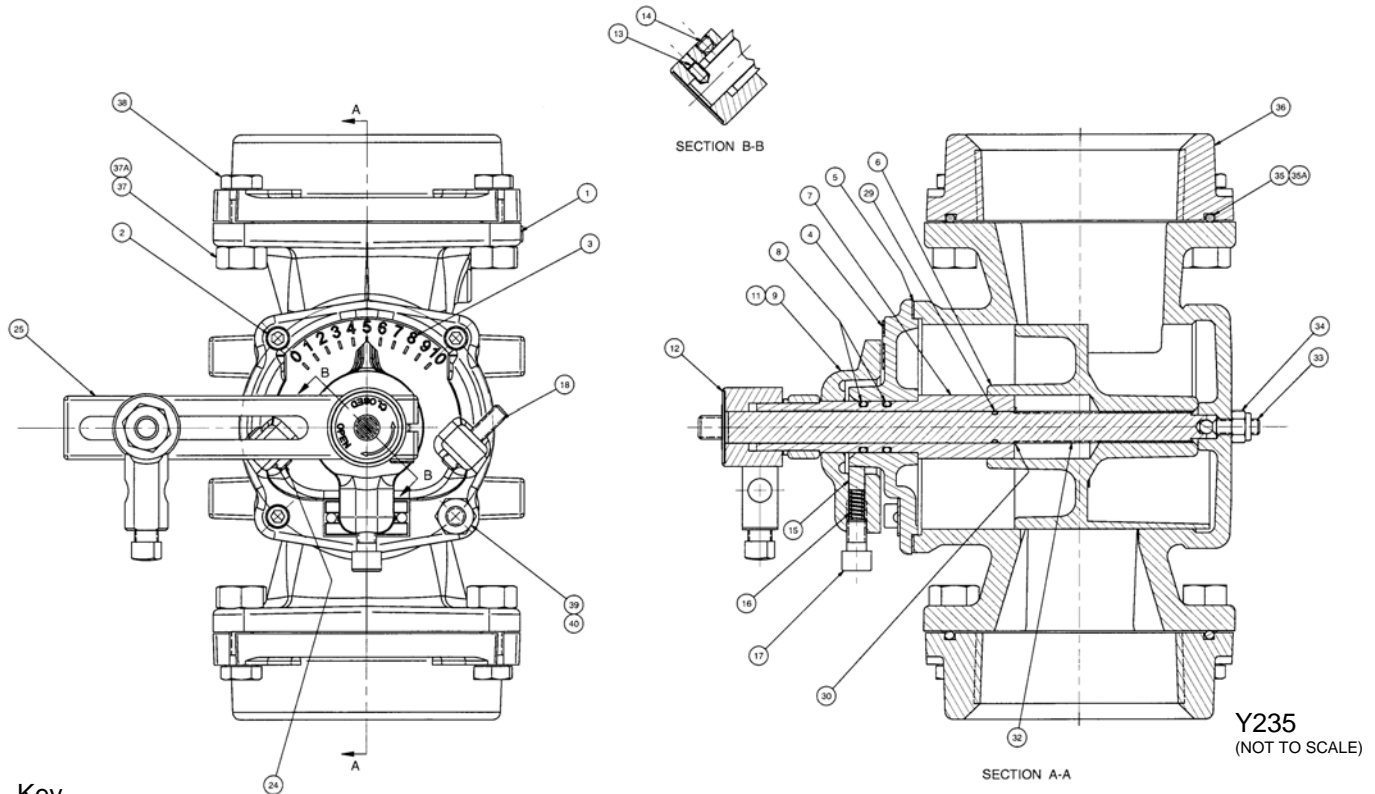




PARTS LIST

ADJUSTABLE PORT VALVES PVS2A10E – PVS2B40F



Key

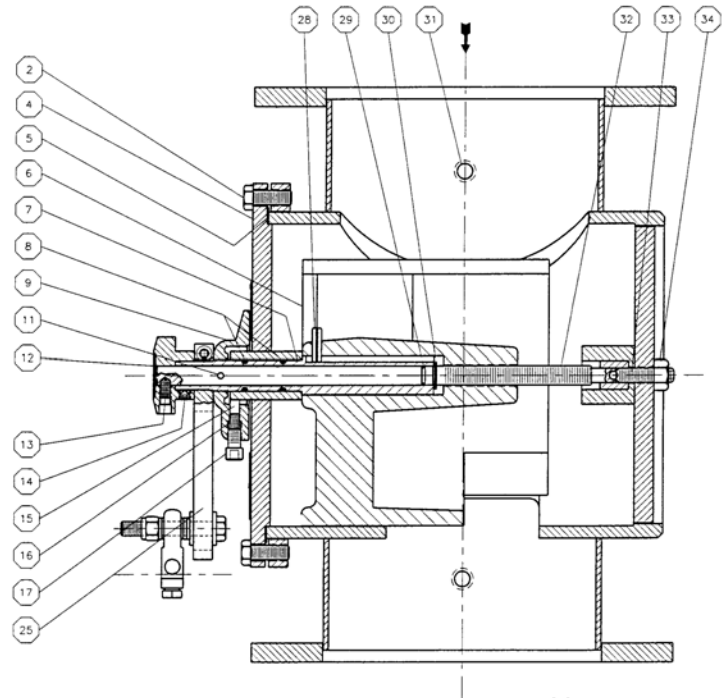
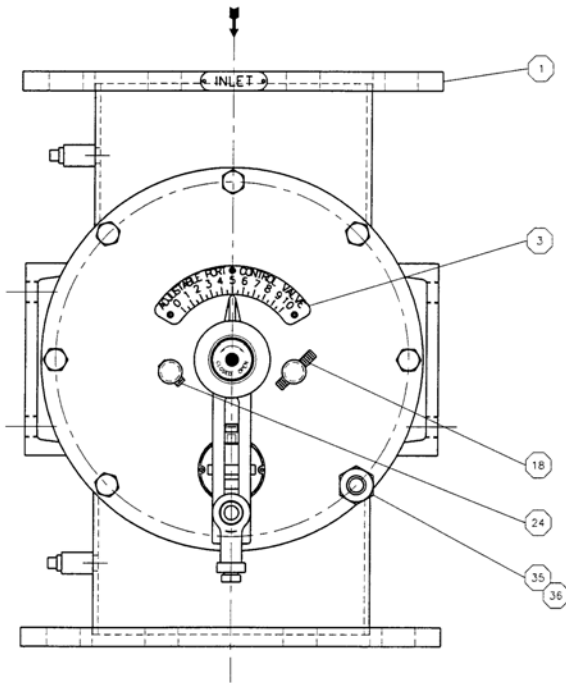
<u>No.</u>	<u>Description</u>	<u>PVS2A10E</u>	<u>PVS2A12E</u>	<u>PVS2A15E</u>	<u>PVS2A20E</u>	<u>PVS2A25F</u>
1	Body	17953	17954	18122	18123	17955
2	Screw, Soc Hd Cap	6966x005	6966x005	6966x005	6966x005	6966x005
3	Dial Plate	---	---	---	---	---
4	Cover	2997A	2997A	2997A	2997A	2997A
5	Gasket, Cover	1471	1471	1471	1471	1471
6	Piston Assembly	11683	11683	11674	11674	13766
7	Sleeve, Piston	2996	2996	2996	2996	2996
8	Sleeve, O-Ring	7041x114	7041x114	7041x114	7041x114	7041x114
9	Pointer	2979B	2979B	2979B	2979B	2979B
11	Setscrew, Soc Hd Cup Point	6952x003	6952x003	6952x003	6952x003	6952x003
12	Knob, Port Adjusting	11568	11568	11568	11568	11568
13	Setscrew, Soc Hd Cup Point	6952x003	6952x003	6952x003	6952x003	6952x003
14	Setscrew, Soc Hd Cone Point	6958x002	6958x002	6958x002	6958x002	6958x002
15	Pin, Friction	4987	4987	4987	4987	4987
16	Spring, Friction	2984	2984	2984	2984	2984
17	Screw, Soc Hd	6959x004	6959x004	6959x004	6959x004	7231x004
18	Screw, Nylock-2 Plug	4939	4939	4939	4939	4939
24	Screw, Nylock-1 Plug	4951	4951	4951	4951	4951
25	Lever Assembly	11676	11676	11676	11676	11676
29	O-Ring, Stem	7040x012	7040x012	7040x012	7040x012	7040x012
30	Ring, Retaining	6135	6135	6135	6135	6135

Key No.	Description	PVS2A10E	PVS2A12E	PVS2A15E	PVS2A20E	PVS2A25F
32	Stem	2995	2995	2995	2995	2995
33	Setscrew, Soc Hd Cup Point	6955x006	6955x006	6955x006	6955x006	6955x006
34	Nut, Hex W/Nylon Insert	5911	5911	5911	5911	5911
35	O-Ring, Flange	---	---	---	---	7208x242
35a	Gasket, Flange (Old Style)	---	---	---	---	4507
36	Flange, Pipe	---	---	---	---	5444A
37	Nut, Hex	---	---	---	---	---
37a	Nut, Square	---	---	---	---	7031
38	Screw, Hex Hd Cap	---	---	---	---	6940x010
39	Nut, Hex	7021	7021	7021	7021	7021
40	Stud	95254x010	95254x010	95254x010	95254x010	95254x010

Key No.	Description	PVS2X30F	PVS2A30F	PVS2B30F	PVS2A40F	PVS2B40F
1	Body	17955	17956	17956	17956	17956
2	Screw, Soc Hd Cap	6966x006	6966x006	6966x006	6966x006	6966x006
3	Dial Plate	---	2978	2978	2978	2978
4	Cover	2997A	4141A	4141A	4141A	4141A
5	Gasket, Cover	1471	2754	2754	2754	2754
6	Piston Assembly	13766	11696	11697	11696	11697
7	Sleeve, Piston	2996	4120	4120	4120	4120
8	O-Ring, Sleeve	7041x114	7041x114	7041x114	7041x114	7041x114
9	Pointer	2979B	2979A	2979A	2979A	2979A
11	Setscrew, Soc Hd Cup Point	6952x003	6952x004	6952x004	6952x004	6952x004
12	Knob, Port Adjusting	11568	11568	11568	11568	11568
13	Setscrew, Soc Hd Cup Point	6952x003	6952x004	6952x004	6952x004	6952x004
14	Setscrew, Soc Hd Cone Point	6958x002	6958x002	6958x002	6958x002	6958x002
15	Pin, Friction	4987	4987	4987	4987	4987
16	Spring, Friction	2984	2984	2984	2984	2984
17	Screw, Soc Hd Nylock	7231x004	7231x004	7231x004	7231x004	7231x004
18	Screw, Nylock-2 Plug	4939	4939	4939	4939	4939
24	Screw, Nylock-1 Plug	4951	4951	4951	4951	4951
25	Lever Assembly	11676	11676	11676	11676	11676
29	O-Ring, Stem	7040x012	7040x012	7040x012	7040x012	7040x012
30	Ring, Retaining	6135	6135	6135	6135	6135
32	Stem	5909	5016	5016	5016	5016
33	Setscrew, Soc Hd Cup Point	6955x006	7182x008	7182x008	7182x008	7182x008
34	Nut, Hex W/Nylon Insert	5911	5912	5912	5912	5912
35	O-Ring, Flange	7208x242	7208x248	7208x248	7208x248	7208x248
35a	Gasket, Flange (Old Style)	4507	4124	4124	4124	4124
36	Flange, Pipe	4514A	855A	855A	856A	856A
37	Nut, Hex	---	7023	7023	7023	7023
37a	Nut, Square	7031	---	---	---	---
38	Screw, Hex Hd Cap	6940x010	7236x012	7236x012	7236x012	7236x012
39	Nut, Hex	7021	7021	7021	7021	7021
40	Stud	95254x010	95254x010	95254x010	95254x010	95254x010



ADJUSTABLE PORT VALVES
PVS2A60F – PVS2B100F



Y234
(NOT TO SCALE)

Key No.	Description	PVS2A60F PVS2B60F	PVS2A80F PVS2B80F	PVS2A100F PVS2B100F
1	Body Assembly, Valve	17962	17963	17964
2	Screw, Hex Hd Cap	7236x008	7236x008	7236x008
3	Dial Plate, 90° Degrees	2978	2978	2978
4	Cover Assembly, Valve	11659	11689	11879
5	Gasket, Cover	4133	4199	4212
6	Piston Assembly (A Port)	13924	13926	13928
6a	Piston Assembly (B Port)	13925	13927	13929
7	Sleeve Assembly, Piston	4121	4198	4211
8	Packing, O-Ring	7041x114	7041x113	7041x113
9	Pointer	2979A	2979A	2979A
11	Setscrew, Soc Hd Cup Pt	6952x004	6952x004	6952x004
12	Knob Assembly, Port Adjustment	11753	11753	11753
13	Setscrew, Soc Hd Cup Pt	6955x004	6955x004	6955x004
14	Setscrew, Soc Hd Cone Pt.	6958x002	6958x002	6958x002
15	Pin, Friction	4987	4987	4987
16	Spring, Friction	2984	2984	2984
17	Screw, Soc Hd Cap	6969x004	6966x006	6969x004
18	Screw, Nyloc-2 Plug	4939	4939	4939
24	Screw, Nyloc-2 Plug	4951	4951	4951
25	Lever, Single Ball Adjustment	11676	11676	11676

<u>Key No.</u>	<u>Description</u>	<u>PVS2A60F</u> <u>PVS2B60F</u>	<u>PVS2A80F</u> <u>PVS2B80F</u>	<u>PVS2A100F</u> <u>PVS2B100F</u>
28	Pin	8388	8388	8388
29*	Packing, O-Ring	7040x012	7041x113	7041x113
30*	Ring, Retaining	6135	---	---
31	Pipe Plug, Sq Hd	7056	7189	7056
32	Stem Assembly	11666	11672	11673
33	Setscrew, Soc Hd Cup Pt	6960x012	6960x010	6960x010
34	Nut, Hex	7023	7022	7022
35	Nut, Hex	7026	7026	7026
36	Stud	7233x002	7233x002	7233x002
	Internal Replacement Assembly A Port:	43715	43731	43733
	B Port:	43716	43732	43734

* Part Of Item #32, Stem Assembly