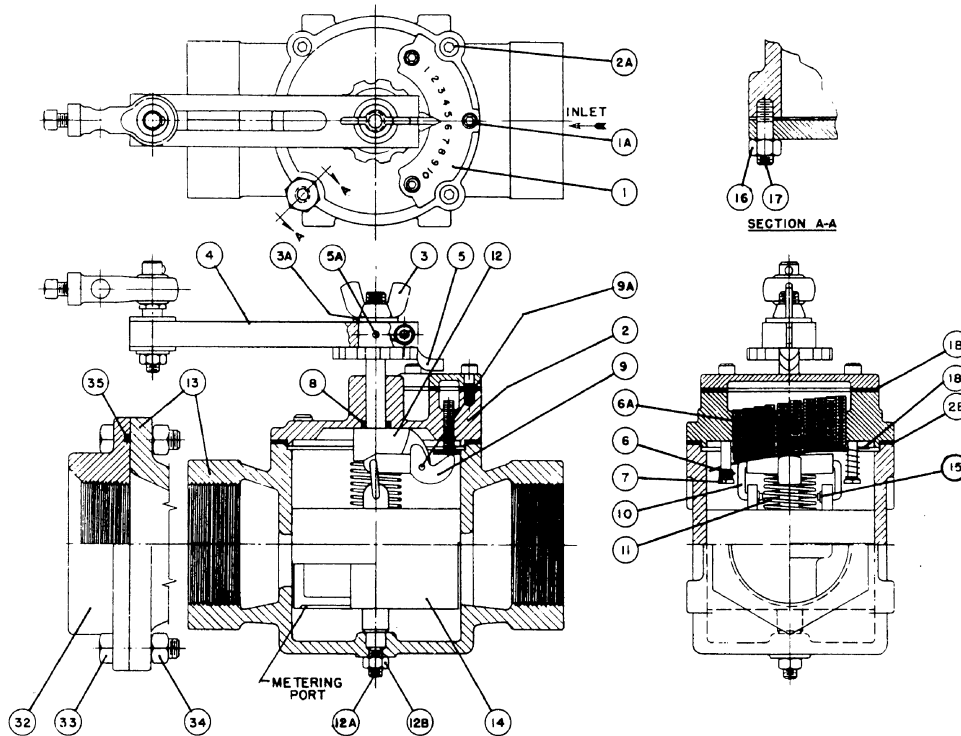




**ADJUSTABLE FLOW VALVES
FVS2A10 – FVS2X30
STRAIGHT**



GX160
(NOT TO SCALE)

Key No.	Description	FVS2A10 FVS2A12	FVS2A15 FVS2A20	FVS2A25 FVS2X30
--	Cover Assembly	12529	12529	12529
1*	Cover, Valve	838A	838A	838A
1a*	Screw, Hex Soc Hd Cap 10-32x1/2" Lg. (3 Req'd)	6968x004	6968x004	6968x004
1b*	Gasket, Cap	1470	1470	1470
2*	Cover, Valve	839A	839A	839A
2a	Screw, Hex Soc Hd Cap 1/4-20x3/4" Lg. (3 Req'd)	6966x006	6966x006	6966x006
2b	Gasket, Cover	1471	1471	1471
3	Nut, Wing	7038	7038	7038
3a	Washer	7071	7071	7071
4	Lever Assembly 3/4" Single Connector	11676	11676	11676
	3/4" Double Connector	11678	11678	11678
	3/4" Triple Connector	45825	45825	45825
5	Wheel, Pointer	1685A	1685A	1685A
5a	Pin, Roll	7148x011	7148x011	7148x011
6*	Spring, Push	1421B	1421B	1421B
6a*	Screw, Hex Soc Hd Set 1" (10 Req'd)	6953x008	6953x008	6953x008
7*	Pin (2 Req'd)	1353	1353	1353
8	Packing, O-Ring	7041x110	7041x110	7041x110
9**	Lever, Rocker Arm	1342	1342	1342
9a**	Pin, Roll	7148x010	7148x010	7148x010
10**	Link, Clevis (2 Req'd)	4911	4911	4911

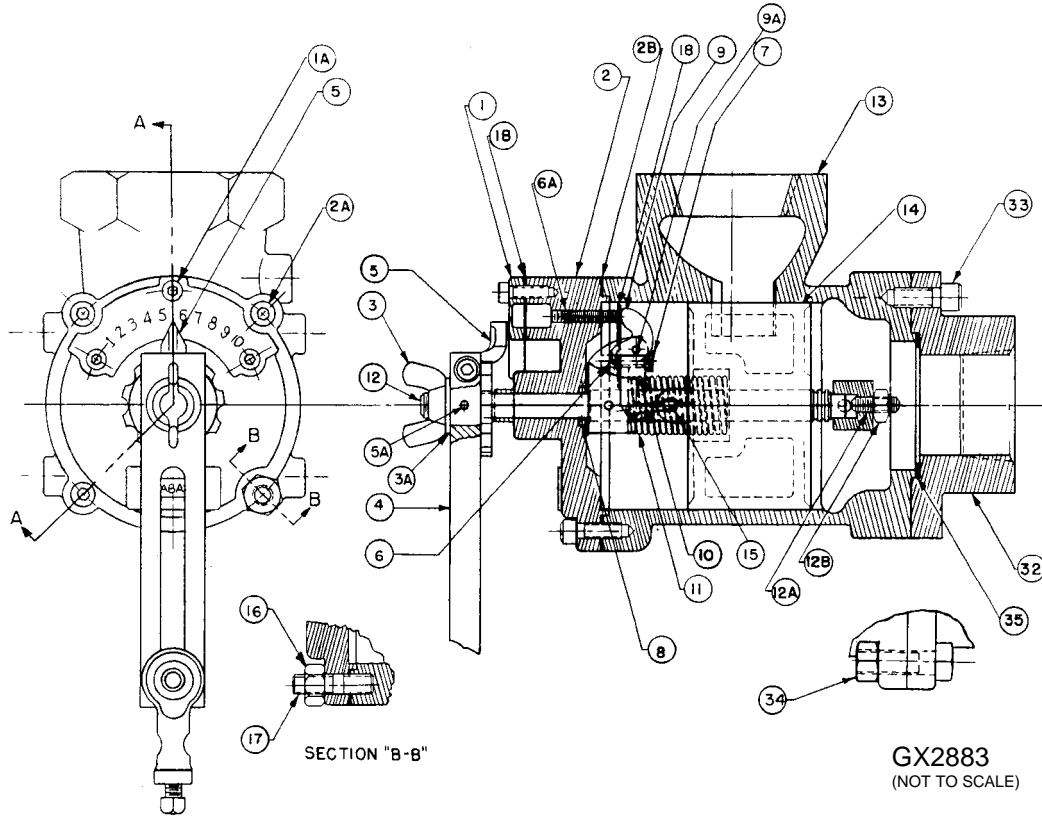
Key No.	Description		FVS2A10 FVS2A12	FVS2A15 FVS2A20	FVS2A25 FVS2X30
11**	Spring, Piston		1430	1430	1430
12**	Stem Assembly		12428	12428	13357
12a	Screw, Hex Soc Hd Set	3/4" Lg. 5/8" Lg.	6956x006 ---	6956x006 ---	--- 6956x005
13	Body, Valve 1"		17953	---	---
	1-1/4"		17954	---	---
	1-1/2"		---	18122	---
	2"		---	18123	---
	2-1/2"		---	---	17955
	3"		---	---	17955
--	Piston Assembly		13064	13065	13361
14**	Piston		806A	808A	5441A
15**	Ring, Retaining	(4 Req'd)	2778	2778	2778
16	Nut, Hex 5/16-18		7021	7021	7021
17	Stud 5/16-18 1-1/4" Lg.		7232x002	7232x002	7232x002
18*	Spring, Cam	(2 Req'd)	1993	1993	1993
32	Flange 2-1/2" Valve	(2 Req'd)	---	---	5444A
	3"		---	---	4514A
33	Screw, Hex Hd Cap 3/8-16 1-1/4" Lg.	(8 Req'd)	---	---	6940x010
34	Nut, Hex 3/8-16	(8 Req'd)	---	---	7023
35	Packing, O-Ring		---	---	7208x242

* These parts are included in Cover Assembly

** These parts are included in Piston Assembly



**ADJUSTABLE FLOW VALVES
FVA2A10 – FVA2X30
ANGLE**



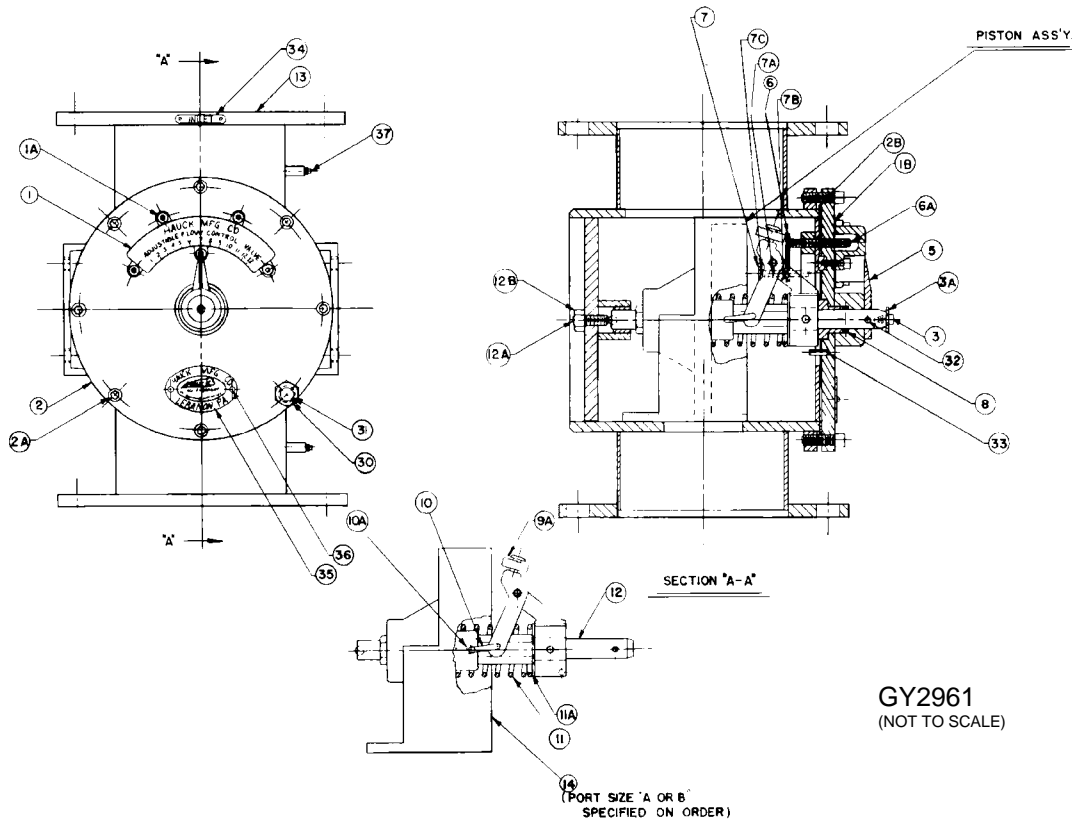
Key No.	Description	FVA2A10 FVA2A12	FVA2A15 FVA2A20	FVA2A25 FVA2X30
--	Cover Assembly	12529	12529	12529
1*	Cap, Valve	838A	838A	838A
1a*	Screw, Hex Soc Hd Cap 10-32x1/2" Lg.	3 Req'd 6968x004	6968x004	6968x004
1b*	Gasket, Cap	1470	1470	1470
2*	Cover, Valve	839A	839A	839A
2a	Screw, Hex Soc Cap 1/4-20x3/4" Lg.	3 Req'd 6966x006	6966x006	6966x006
2b	Gasket, Cover	1471	1471	1471
3	Nut, Wing	7038	7038	7038
3a	Washer	7071	7071	7071
4	Lever Assembly	3/4" Single Connector 11676 3/4" Double Connector 11678 3/4" Triple Connector 45825	11676 11678 45825	11676 11678 45825
5	Wheel Pointer	1685A	1685A	1685A
5a	Pin, Roll	7148x011	7148x011	7148x011
6*	Spring, Push	2 Req'd 1421B	1421B	1421B
6a*	Screw, Hex Soc Hd	10 Req'd 6953x008	6953x008	6953x008
7*	Pin, Stop	2 Req'd 1353	1353	1353
8	Packing, O-Ring	7041x110	7041x110	7041x110

Key No.	Description		FVA2A10 FVA2A12	FVA2A15 FVA2A20	FVA2A25 FVA2X30
9**	Lever, Rocker Arm		1342	1342	1342
9a**	Pin, Roll		7148x011	7148x011	7148x010
10**	Clevis Link	2 Req'd	4795	4911	4911
11**	Spring		1429	1430	1430
12**	Stem Assembly		12427	12428	13357
12a	Screw		6956x005	6956x006	6956x006
12b	Nut		7016	7016	7016
13	Body 1" Valve		17959	---	---
	1-1/4" Valve		17960	---	---
	1-1/2" Valve		---	18126	---
	2" Valve		---	18127	---
	2-1/2" Valve		---	---	18128
	3" Valve		---	---	18128
--	Piston Assembly		12657	12658	13358
14**	Piston		807A	808A	5441A
15	Ring, Retaining	4 Req'd	2778	2778	2778
16	Nut, Hex		7021	7021	7021
17	Stud		7232x002	7232x002	7232x002
18*	Spring, Lever	2 Req'd	1993	1993	1993
32	Flange 1" Valve	2 Req'd	853C	---	---
	1-1/4" Valve		853D	---	---
	1-1/2" Valve		---	854F	---
	2" Valve		---	854G	---
	2-1/2" Valve		---	---	5444A
	3" Valve		---	---	4514A
33	Screw	3 Req'd	6966x006	6966x006	6940x010
34	Nut, Hex 2-1/2" & 3" Valve	4 Req'd	N/A	N/A	7023
35	Packing, O-Ring		---	---	7208x242

* These parts are included in Cover Assembly

** These parts are included in Piston Assembly

ADJUSTABLE FLOW VALVES FVS2A60 – FVS2B60 STRAIGHT



Key		FVS2A60
No.	Description	FVS2B60
--	Cover Assembly	18157
*1	Cap, Dial	2290A
*1a	Screw, Hex Soc. Hd. 1/4-20x5/8"Lg.	5 Req'd 6966x005
*1b	Gasket, Dial Cap	8992
*2	Cover	15940
2a	Screw, Hex Soc. Hd. 3/8-16x1" Lg.	7 Req'd 7201x008
2b	Gasket, Cover	4133
3	Screw, Hex Soc. Hd. 10-32x3/8" Lg.	6968x003
3a	Retainer	8994
5	Wheel, Pointer	2292A
*6	Spring, Cam	3 Req'd 8990
*6a	Screw, Hex Soc. Hd. Set	12 Req'd 7065x016
*7	Pin, Stop	2 Req'd 8995
*7a	Spring	2 Req'd 2740
*7b	Washer	2 Req'd 7075
*7c	Washer	2 Req'd 95142
8	Packing O-Ring	7042x210
**9a	Lever, Rocker Arm	15942
**10	Link, Clevis	8986
**10a	Ring, Retaining	3 Req'd 2779

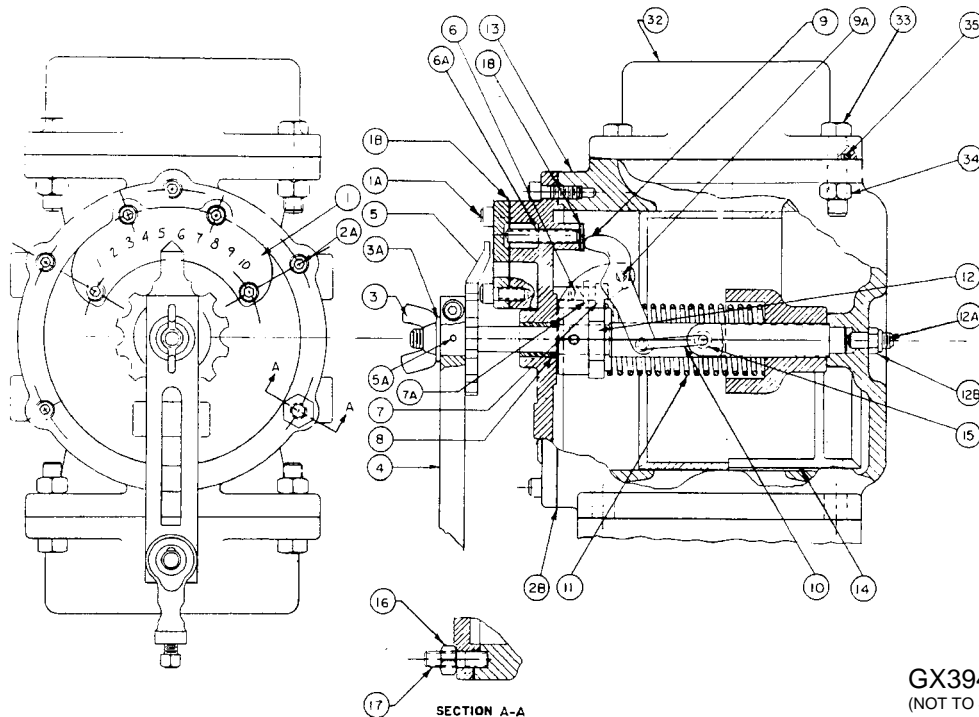
Key		FVS2A60
<u>No.</u>	<u>Description</u>	<u>FVS2B60</u>
**11	Spring, Piston	8993
**11a	Collar, Spring	8991
**12	Shaft Assembly	15941
12a	Screw, Hex Soc. Hd. 3/8-16x1-1/4" Lg.	7204x012
12b	Nut, Hex 3/8-16	7023
13	Body	17961
**14	Piston Assembly	15938
	A Port	15937A
	B Port	15937B
30	Nut, Hex 1/2-13	7026
31	Stud, 1/2-13x1-1/2" Lg.	7233x002
32	Pin, Roll	7148x013
*33	Pin, Roll	7150x012
34	Nameplate (Inlet)	95936
35	Nameplate, Identification	1102
36	Screw, Rd. Hd. U Drive #2 3/16" Lg.	2 Req'd 7008x003
37	Plug	2 Req'd 7056

* These parts are included in Cover Assembly

** These parts are included in Piston Assembly



**ADJUSTABLE FLOW VALVES
FVS2A30 – FVS2C40
STRAIGHT**



GX3949
(NOT TO SCALE)

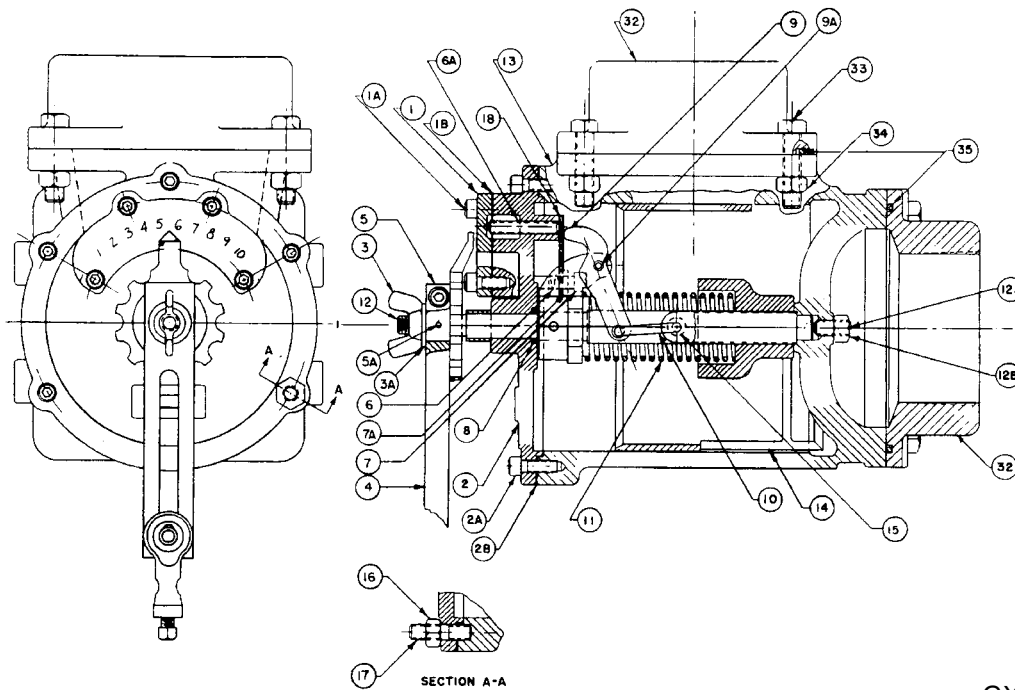
Key No.	Description		FVS2A30 FVS2A40	FVS2B30 FVS2B40	FVS2C30 FVS2C40
--	Cover Assembly		12986	12986	12986
*1	Cap, Valve		733A	733A	733A
*1a	Screw, Hex Soc. Hd. Cap 1/4-20x5/8" Lg.	4 Req'd	6966x005	6966x005	6966x005
*1b	Gasket, Cap		2753	2753	2753
*2	Cover, Valve		840A	840A	840A
2a	Screw, Hex Soc. Hd. Cap 1/4-20x3/4" Lg.	5 Req'd	6966x006	6966x006	6966x006
2b	Gasket, Cover		2754	2754	2754
*3	Nut, Wing		7038	7038	7038
*3a	Washer	3 Req'd	7071	7071	7071
4	Lever Assembly 3/4" Single Connector 3/4" Double Connector 3/4" Triple Connector		11676 11678 45825	11676 11678 45825	11676 11678 45825
5	Wheel, Pointer		1394A	1394A	1394A
5a	Pin, Roll		7148x011	7148x011	7148x011
*6	Spring, Push	4 Req'd	1421B	1421B	1421B
6a	Screw, Hex Soc. Hd. Set 1/4-20x1-1/2" Lg.	11 Req'd	6956x012	6956x012	6956x012
7	Pin	2 Req'd	1222B	1222B	1222B
7a	Washer	3 Req'd	7071	7071	7071
8	Packing O-Ring		7041x112	7041x112	7041x112
**9	Lever, Rocker Arm		1344	1344	1344
**9a	Pin, Roll		7150x010	7150x010	7150x010
**10	Link, Clevis	2 Req'd	5234	5234	5234

Key		FVS2A30	FVS2B30	FVS2C30
<u>No.</u>	<u>Description</u>	<u>FVS2A40</u>	<u>FVS2B40</u>	<u>FVS2C40</u>
**11	Spring, Piston	1940	1940	1940
**12	Stem Assembly	12429	12429	12429
12a	Screw, Hex Soc. Hd. Set	7182x008	7182x008	7182x008
12b	Nut, Hex	5912	5912	5912
13	Body, Valve	17956	17956	17956
--	Piston Assembly	13066	13067	13068
**14	Piston	809A	809B	5441A
**15	Ring, Retaining	4 Req'd 2779	2779	2779
16	Nut, Hex	7021	7021	7021
17	Stud	7232x002	7232x002	7236x012
18	Spring, Lever	3 Req'd 1426	1426	1426
32	Flange 3" Valve	2 Req'd 855A	---	---
	4" Valve	856A	---	---
	3" Valve	---	855A	---
	4" Valve	---	856A	---
	3" Valve	---	---	855A
	4" Valve	---	---	856A
33	Screw, Hex Hd. Cap 3/8-16x1-1/2" Lg.	8 Req'd 7236x012	7236x012	7236x012
34	Nut, Hex 3/8-16	8 Req'd 7023	7023	7023
35	Packing O-Ring	7208x248	7208x248	7208x248

* These parts are included in Cover Assembly

** These parts are included in Piston Assembly

ADJUSTABLE FLOW VALVES FVA2A30 – FVA2C40 ANGLE



GX2896
(NOT TO SCALE)

Key No.	Description	FVA2A30 FVA2A40	FVA2B30 FVA2B40	FVA2C30 FVA2C40
--	Cover Assembly	12986	12986	12986
*1	Cap, Valve	733A	733A	733A
*1a	Screw, Hex Soc. Hd. Cap 1/4-20	4 Req'd 6966x005	6966x005	6966x005
*1b	Gasket, Cap	2753	2753	2753
*2	Cover, Valve	840A	840A	840A
2a	Screw, Hex Soc. Hd. Cap 1/4-20	5 Req'd 6966x006	6966x006	6966x006
2b	Gasket, Cover	2754	2754	2754
3	Nut, Wing	7038	7038	7038
3a	Washer	7071	7071	7071
4	Lever Assembly	3/4" Single Connector 3/4" Double Connector 3/4" Trouble Connector 11676 11678 45825	11676 11678 45825	11676 11678 45825
5	Wheel, Pointer	1394A	1394A	1394A
5a	Pin, Roll 1/8"	7148x011	7148x011	7148x011
*6	Spring, Push	4 Req'd 1421B	1421B	1421B
*6a	Screw, Hex Soc. Hd.	11 Req'd 6956x012	6956x012	6956x012
*7	Pin, Stop	2 Req'd 1222B	1222B	1222B
*7a	Washer	3 Req'd 7074	7074	7074
8	Packing O-Ring	7041x112	7041x112	7041x112
**9	Lever	1344	1344	1344
9a	Pin, Roll 3/16"	7150x012	7150x012	7150x012
**10	Clevis Link	2 Req'd 5234	5234	5234

Key		FVA2A30	FVA2B30	FVA2C30
<u>No.</u>	<u>Description</u>	<u>FVA2A40</u>	<u>FVA2B40</u>	<u>FVA2C40</u>
**11	Spring, Piston	1940	1940	1940
**12	Stem Assembly	12429	12429	12429
12a	Screw, Hex Soc. Hd. Set	7182x006	7182x006	7182x006
12b	Nut	7019	7019	7019
13	Body	18130	18130	18130
--	Piston Assembly	12983	12984	12985
**14	Piston	809A	809B	809C
15	Ring, Retaining	4 Req'd 2779	2779	2779
16	Nut	7021	7021	7021
17	Stud 1-1/4" Lg.	7232x002	7232x002	7232x002
*18	Spring, Lever	3 Req'd 1426	1426	1426
32	Flange 3" Valve	2 Req'd 855A	855A	855A
	4" Valve	2 Req'd 856A	856A	856A
33	Screw, Hex Hd. Cap 1-1/2" Lg.	8 Req'd 7236x012	7236x012	7236x012
34	Nut	8 Req'd 7023	7023	7023
35	Packing O-Ring	2 Req'd 7208x248	7208x248	7208x248

* These parts are included in Cover Assembly

** These parts are included in Piston Assembly