



**PGM PREPIPED GAS MANIFOLD
2000 & 6000 SERIES (INDUSTRIAL)**

CONNECTION SIZE	2000 SERIES			
	2100 (MAXON)		2400 (KROMSCHRODER)	
	(scfh)	C _v	(scfh)	C _v
3/4 NPT	2,100	9.7	1,480	6.8
1 NPT	2,540	11.7	2,810	13.0
1-1/4 NPT	4,990	23.0	3,690	17.0
1-1/2 NPT	6,570	30.2	5,930	27.3
2 NPT	10,420	48.0	7,110	32.7
2-1/2 NPT	16,440	75.6	13,840	63.6
3 NPT	22,860	105	19,760	90.9
4" FLG	51,710	238	30,090	138
6" FLG	66,300	305	47,030	216

CONNECTION SIZE	6000 SERIES			
	6100 (MAXON)		6400 (KROMSCHRODER)	
	(scfh)	C _v	(scfh)	C _v
3/4 NPT	2,490	11.5	1,910	8.8
1 NPT	3,270	15.0	3,500	16.1
1-1/4 NPT	5,960	27.4	4,710	21.7
1-1/2 NPT	8,190	37.7	7,530	34.6
2 NPT	12,730	58.6	9,350	43.0
2-1/2 NPT	22,280	102	15,280	70.3
3 NPT	30,610	141	24,170	111
4" FLG	63,480	292	37,370	172
6" FLG	100,600	462	60,280	277

Metric Capacities
On Reverse Side

Notes:

1. 2000 Series PGMs meet NFPA requirements for single burner or unison light-off multiple burner industrial applications and have dual safety shutoff valves.
2. 6000 Series PGMs meet NFPA requirements for multiple burner industrial applications and have a single safety shutoff valve. In addition, a single safety shutoff valve with proof of closure and visual indication is required at each burner in a multiple burner application, and special features are required in the associated control system (see Hauck Application Sheet GJ76).
3. Flange connections are ANSI 125 lb rated flanges.
4. Electrical enclosure rating of the safety shutoff valve actuator is NEMA 4 for 2100 and 6100 Series PGMs, and IP 65 for 2400 and 6400 Series PGMs.
5. Maximum inlet pressure to the 2100 and 6100 Series PGMs is **8.5 psig**, and for the 2400 and 6400 Series PGMs is **7.25 psig**.
6. Flow based on natural gas with 0.59 s.g., 60°F, **2 psig** inlet pressure and **0.5 psig** pressure drop through the PGM; consult Hauck for different application conditions.
7. To calculate Btu/hr throughput, multiply natural gas flow in scfh by actual higher heating value (HHV) in Btu/ft³.

In accordance with Hauck's commitment to Total Quality Improvement, Hauck reserves the right to change the specifications of products without prior notice.

METRIC CAPACITIES

PGM PREPIPED GAS MANIFOLD 2000 & 6000 SERIES (INDUSTRIAL)

CONNECTION SIZE	2000 SERIES			
	2100 (MAXON)		2400 (KROMSCHRODER)	
	(nm ³ /hr)	C _v	(nm ³ /hr)	C _v
3/4 NPT	56.3	9.7	39.6	6.8
1 NPT	68	11.7	75.3	13.0
1-1/4 NPT	134	23.0	98.8	17.0
1-1/2 NPT	176	30.2	159	27.3
2 NPT	279	48.0	190	32.7
2-1/2 NPT	440	75.6	371	63.6
3 NPT	612	105	529	90.9
4" FLG	1,390	238	806	138
6" FLG	1,780	305	1,260	216

CONNECTION SIZE	6000 SERIES			
	6100 (MAXON)		6400 (KROMSCHRODER)	
	(nm ³ /hr)	C _v	(nm ³ /hr)	C _v
3/4 NPT	66.7	11.5	51.2	8.8
1 NPT	87.6	15.0	93.8	16.1
1-1/4 NPT	160	27.4	126	21.7
1-1/2 NPT	219	37.7	202	34.6
2 NPT	341	58.6	250	43.0
2-1/2 NPT	597	102	409	70.3
3 NPT	820	141	647	111
4" FLG	1,700	292	1,000	172
6" FLG	2,690	462	1,610	277

Notes:

- 2000 Series PGMs meet NFPA requirements for single burner or unison light-off multiple burner industrial applications and have dual safety shutoff valves.
- 6000 Series PGMs meet NFPA requirements for multiple burner industrial applications and have a single safety shutoff valve. In addition, a single safety shutoff valve with proof of closure and visual indication is required at each burner in a multiple burner application, and special features are required in the associated control system (see Hauck Application Sheet GJ76).
- Flange connections are ANSI 125 lb rated flanges.
- Electrical enclosure rating of the safety shutoff valve actuator is NEMA 4 for 2100 and 6100 Series PGMs, and IP 65 for 2400 and 6400 Series PGMs.
- Maximum inlet pressure to the 2100 and 6100 Series PGM's is **58.6 kPa**, and for the 2400 and 6400 Series PGMs is **50 kPa**.
- Flow based on natural gas with 0.59 s.g., 0°C, **13.8 kPa** inlet pressure and **3.4 kPa** pressure drop through the PGM; consult Hauck for different application conditions.
- To calculate kW throughput, multiply natural gas flow in nm³/hr by actual lower heating value (LHV) in MJ/nm³, then multiply by 0.278 kW•hr/MJ.



PGM PREPIPED GAS MANIFOLD 3100 SERIES (ASPHALT)

CONNECTION SIZE	3100 (MAXON)	
	(scfh)	C _v
2 NPT	20,000	47.7
2-1/2 NPT	31,880	76.1
3 NPT	43,810	105
4" FLG	101,100	241
6" FLG	134,200	320
6" X FLG	224,100	535

Notes:

1. 3100 Series PGMs meet NFPA requirements for single burner asphalt applications and have dual automatic safety shutoff valves.
2. Flange connections are ANSI 125 lb rated flanges.
3. Electrical enclosure rating of the safety shutoff valve actuator is NEMA 4 for all 3100 Series PGMs.
4. Maximum inlet pressure to 3100 Series PGM is **15 psig**.
5. Flow based on natural gas with 0.59 s.g., 60°F, **5 psig** inlet pressure and **1.5 psig** pressure drop through the PGM; consult Hauck for different application conditions.
6. To calculate Btu/hr throughput, multiply natural gas flow in scfh by actual higher heating value (HHV) in Btu/ft³.

(Metric Capacities On Reverse Side)

In accordance with Hauck's commitment to Total Quality Improvement, Hauck reserves the right to change the specifications of products without prior notice.

METRIC CAPACITIES

PGM PREPIPED GAS MANIFOLD 3100 SERIES (ASPHALT)

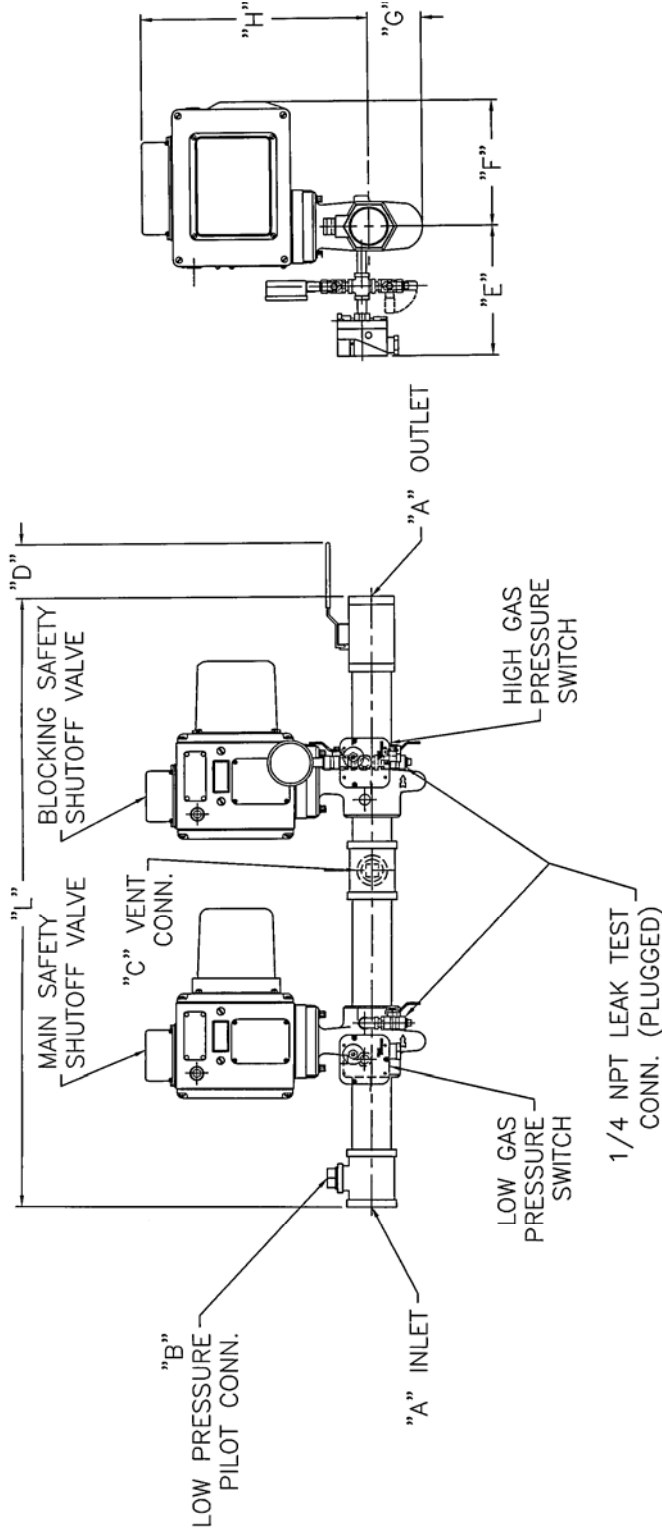
CONNECTION SIZE	3100 (MAXON)	
	(nm ³ /hr)	C _v
2 NPT	536	47.7
2-1/2 NPT	854	76.1
3 NPT	1,170	105
4" FLG	2,710	241
6" FLG	3,590	320
6" X FLG	6,000	535

Notes:

1. 3100 Series PGMs meet NFPA requirements for single burner asphalt applications and have dual automatic safety shutoff valves.
2. Flange connections are ANSI 125 lb rated flanges.
3. Electrical enclosure rating of the safety shutoff valve actuator is NEMA 4 for all 3100 Series PGMs.
4. Maximum inlet pressure to 3100 Series PGM is **103 kPa**.
5. Flow based on natural gas with 0.59 s.g., 0°C, **34.5 kPa** inlet pressure and **10.3 kPa** pressure drop through the PGM; consult Hauck for different application conditions.
6. To calculate kW throughput, multiply natural gas flow in nm³/hr by actual lower heating value (LHV) in MJ/nm³, then multiply by 0.278 kW•hr/MJ.

**PGM PREPIPED GAS MANIFOLD
INDUSTRIAL - MAXON**

PGM 2100 SERIES



MODEL NO.	"A"	"B"	"C"	"D"	"E"	"F"	"G"	"H"	"L"
PGM 2107B	3/4 NPT		3/4 NPT	3 3/8		5 1/2	2 9/16	11 3/16	33 7/8
PGM 2110B	1 NPT			3 1/8	9 1/16	5 7/16		11 3/4	43
PGM 2112B	1 1/4 NPT	3/4 NPT	1 NPT	3 3/16				12 1/4	39 3/4
PGM 2115B	1 1/2 NPT			3 5/16				13 11/16	41 5/8
PGM 2120B	2 NPT	1 NPT		7 1/4	10 7/16			13 9/16	37 3/8
PGM 2125B	2 1/2 NPT	1 1/4 NPT	1 1/4 NPT	6 13/16	8 3/4	7 5/8	4 5/16	13 9/16	54 11/16
PGM 2130B	3 NPT			10	9			13 13/16	53 5/8
PGM 2140B	4" FLG	2 NPT	2 NPT	12 1/4	8 15/16	10 5/8	5 9/16	15 5/16	60 5/8
PGM 2160B	6" FLG	2 1/2 NPT	2 1/2 NPT				6 7/8		74 3/4

NOTES: 1. FLANGE CONNECTIONS ARE ANSI 125 LB RATED FLANGES.

X3298
(NOT TO SCALE)

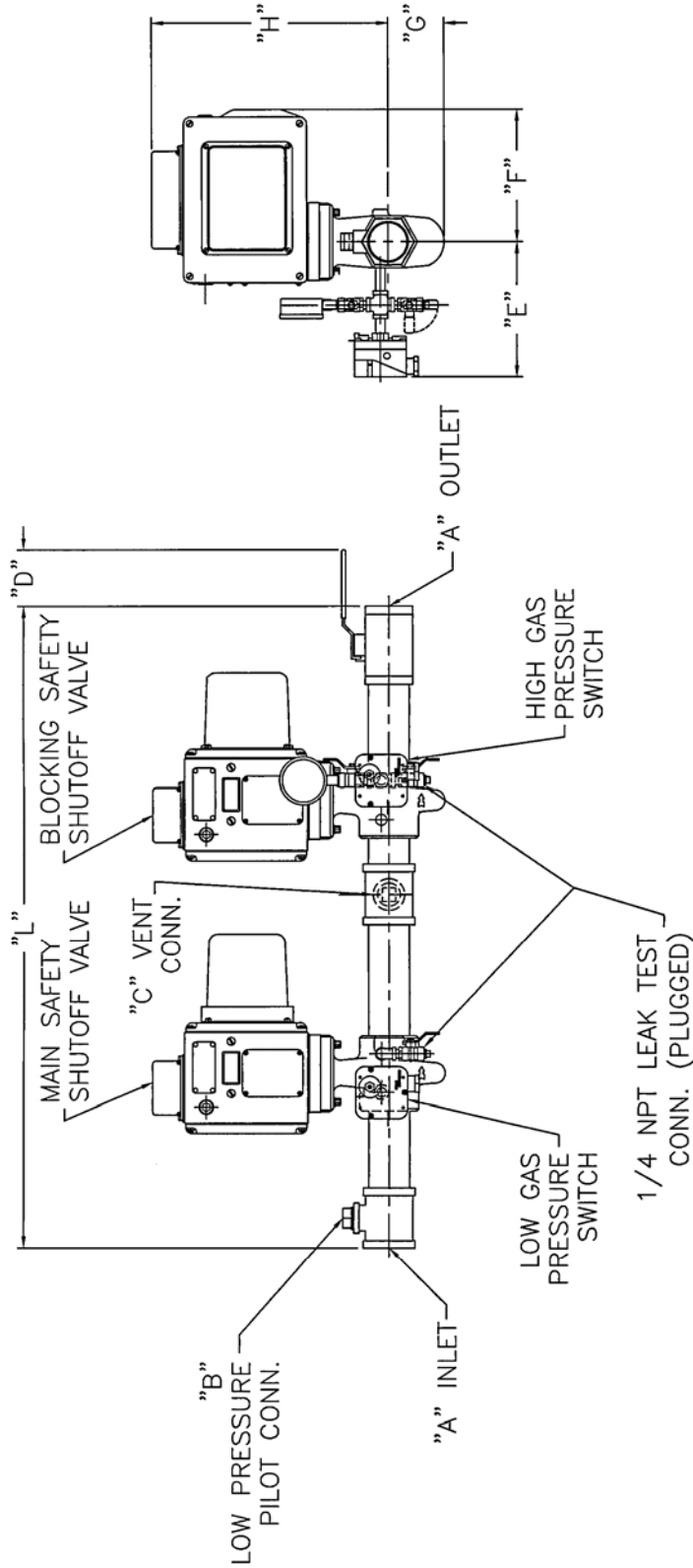
(See Reverse Side For Metric Dimensions)

In accordance with Hauck's commitment to Total Quality Improvement, Hauck reserves the right to change the specifications of products without prior notice.

METRIC DIMENSIONS

PGM PREPIPED GAS MANIFOLD INDUSTRIAL - MAXON

PGM 2100 SERIES



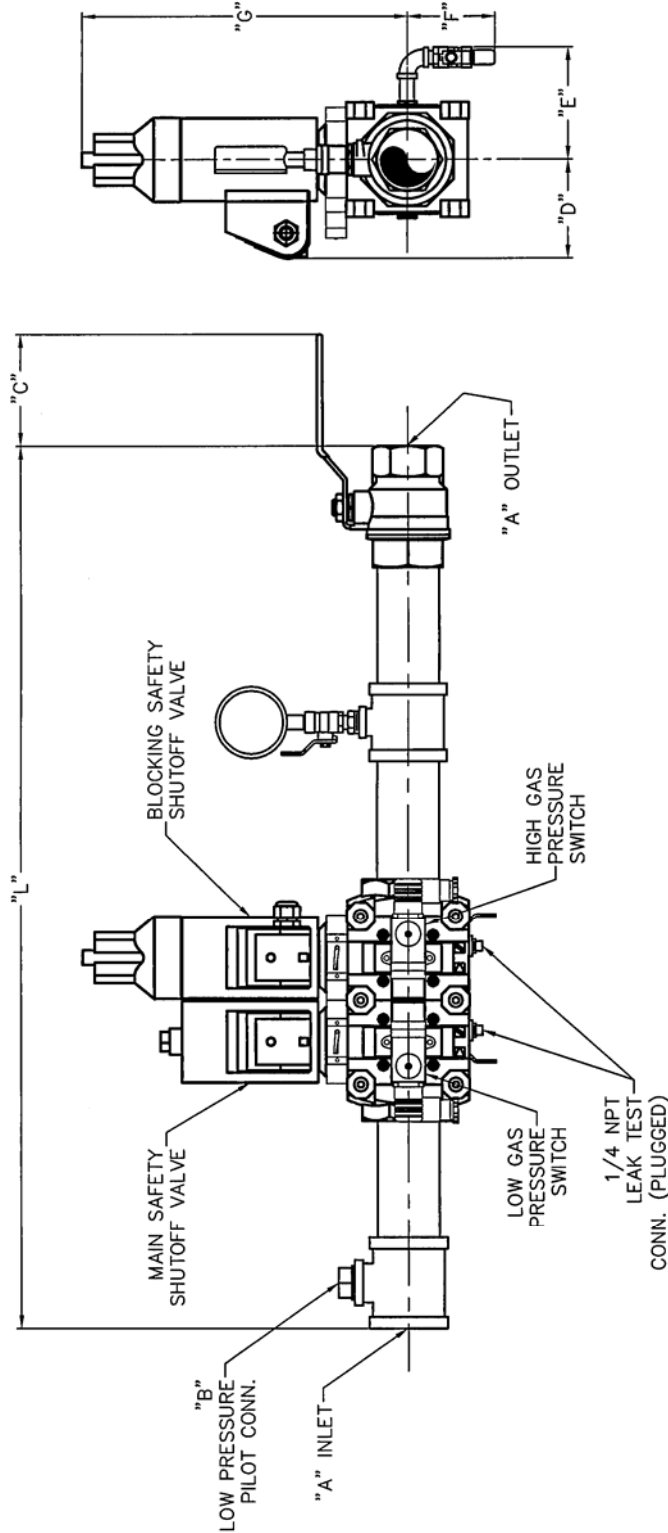
MODEL NO.	"A"	"B"	"C"	"D"	"E"	"F"	"G"	"H"	"L"
PGM 2107B	3/4 NPT		3/4 NPT	86		140	65	284	860
PGM 2110B	1 NPT			79	230				1092
PGM 2112B	1 1/4 NPT	3/4 NPT	1 NPT	81		138	73	298	1010
PGM 2115B	1 1/2 NPT			84				311	1057
PGM 2120B	2 NPT	1 NPT			265		83	348	949
PGM 2125B	2 1/2 NPT	1 1/4 NPT	1 1/4 NPT	184	222	194	110	345	1389
PGM 2130B	3 NPT			173	229		117	351	1362
PGM 2140B	4" FLG	2 NPT	2 NPT	254		270	141	389	1540
PGM 2160B	6" FLG	2 1/2 NPT	2 1/2 NPT	311	227		175		1899

X3298 METRIC
(NOT TO SCALE)

NOTES: 1. FLANGE CONNECTIONS ARE ANSI 125 LB RATED FLANGES.

**PGM PREPIPED GAS MANIFOLD
INDUSTRIAL - KROMSCHRODER**

PGM 2400 SERIES



MODEL NO.	"A"	"B"	"C"	"D"	"E"	"F"	"G"	"L"
PGM 2407	3/4 NPT	3 3/8	2 17/32	3 11/32	3 11/32	9 1/16	22 23/32	22 23/32
PGM 2410	1 NPT	3 1/8	3 11/32	4	3 11/32	10 1/32	22 27/32	22 27/32
PGM 2412	1 1/4 NPT	3 3/16	3 11/32	4 1/4	3 11/32	12 1/2	29 7/32	29 7/32
PGM 2415	1 1/2 NPT	3 5/16	3 25/32	4 5/16	3 11/32	14 3/4	34 23/32	34 23/32
PGM 2420	2 NPT	7 1/4	4 1/8	5 1/16	3 1/2	15 1/8	33 31/32	33 31/32
PGM 2425	2 1/2 NPT	6 13/16	4 5/32	5 3/8	3 23/32	17 17/32	38 11/32	38 11/32
PGM 2430	3 NPT	10	4 7/8	6 1/16	4 29/32	17 17/32	42 3/32	42 3/32
PGM 2440	4" FLG	2 1/2 NPT	12 1/4	5 1/2	6 23/32	15 1/2	46 31/32	46 31/32
PGM 2460	6" FLG	2 1/2 NPT	12 1/4	5 1/2	6 23/32	15 1/2	62 1/2	62 1/2

Y8195
(NOT TO SCALE)

NOTES: 1. FLANGE CONNECTIONS ARE ANSI 125 LB RATED FLANGES.

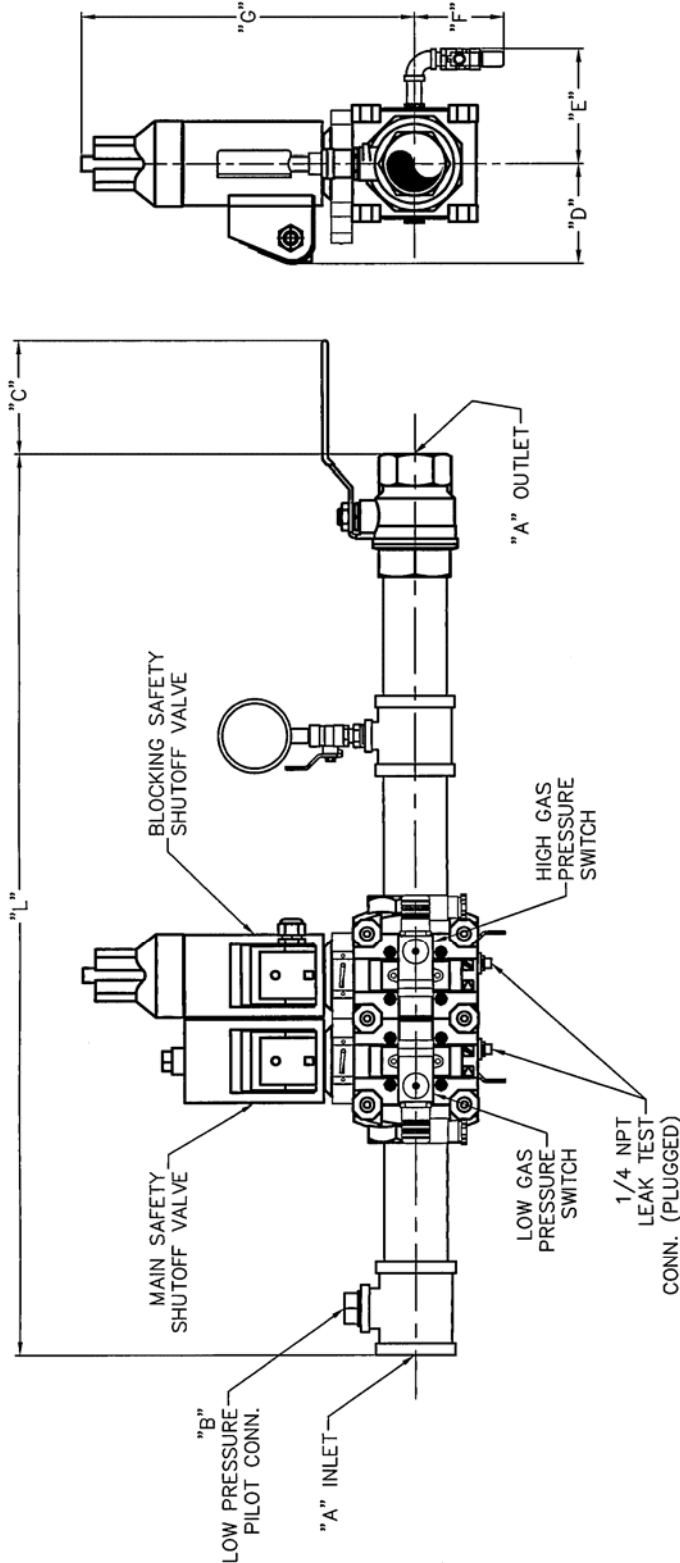
(See Reverse Side For Metric Dimensions)

In accordance with Hauck's commitment to Total Quality Improvement, Hauck reserves the right to change the specifications of products without prior notice.

METRIC DIMENSIONS

PGM PREPIPED GAS MANIFOLD INDUSTRIAL - KROMSCHRODER

PGM 2400 SERIES



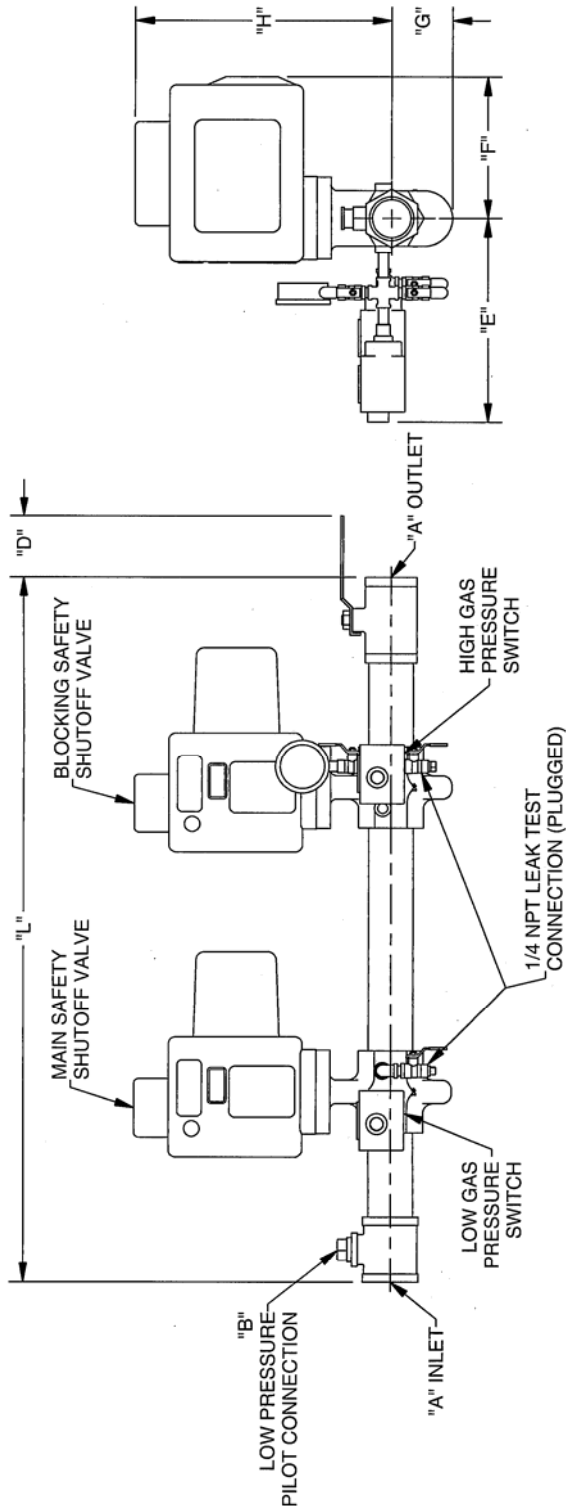
MODEL NO.	"A"	"B"	"C"	"D"	"E"	"F"	"G"	"L"
PGM 2407	3/4 NPT		86	64	85		230	577
PGM 2410	1 NPT	3/4 NPT	79					580
PGM 2412	1 1/4 NPT		81	85	102	85	255	742
PGM 2415	1 1/2 NPT				108			882
PGM 2420	2 NPT	1 NPT	84	96	110		318	863
PGM 2425	2 1/2 NPT		184	105	129	89	375	974
PGM 2430	3 NPT	1 1/4 NPT	173	106	137	94	384	1069
PGM 2440	4" FLG	2 NPT	254	124	154	125	445	1193
PGM 2460	6" FLG	2 1/2 NPT	311	140	171	167	394	1588

Y8195 METRIC
(NOT TO SCALE)

NOTES: 1. FLANGE CONNECTIONS ARE ANSI 125 LB RATED FLANGES.

**PGM PREPIPED GAS MANIFOLD
ASPHALT - MAXON**

PGM 3100 SERIES



MODEL NO.	"A"	"B"	"D"	"E"	"F"	"G"	"H"	"L"
PGM 3120B	2 NPT	1 NPT	3 5/16	10 15/16	7 5/8	3 1/4	13 11/16	37 7/8
PGM 3125B	2 1/2 NPT	1 1/4 NPT	7 1/4	11 5/16	7 5/8	4 5/16	13 9/16	50 7/16
PBM 3130B	3 NPT	1 1/4 NPT	6 13/16	11 1/2	7 5/8	4 5/8	13 13/16	51 5/8
PGM 3140B	4 FLG	2 NPT	10	11 5/8	10 5/8	5 9/16	15 5/16	57 3/4
PGM 3160B	6 FLG	2 1/2 NPT	12 1/4	11 5/8	10 5/8	6 7/8	15 5/16	70
PGM 3160BX	6 FLG	2 1/2 NPT	12 1/4	12 5/16	8 5/8	7 5/16	23 7/8	70

NOTE: 1. FLANGE CONNECTIONS ARE ANSI 125 LB RATED FLANGES.

X3914
(NOT TO SCALE)

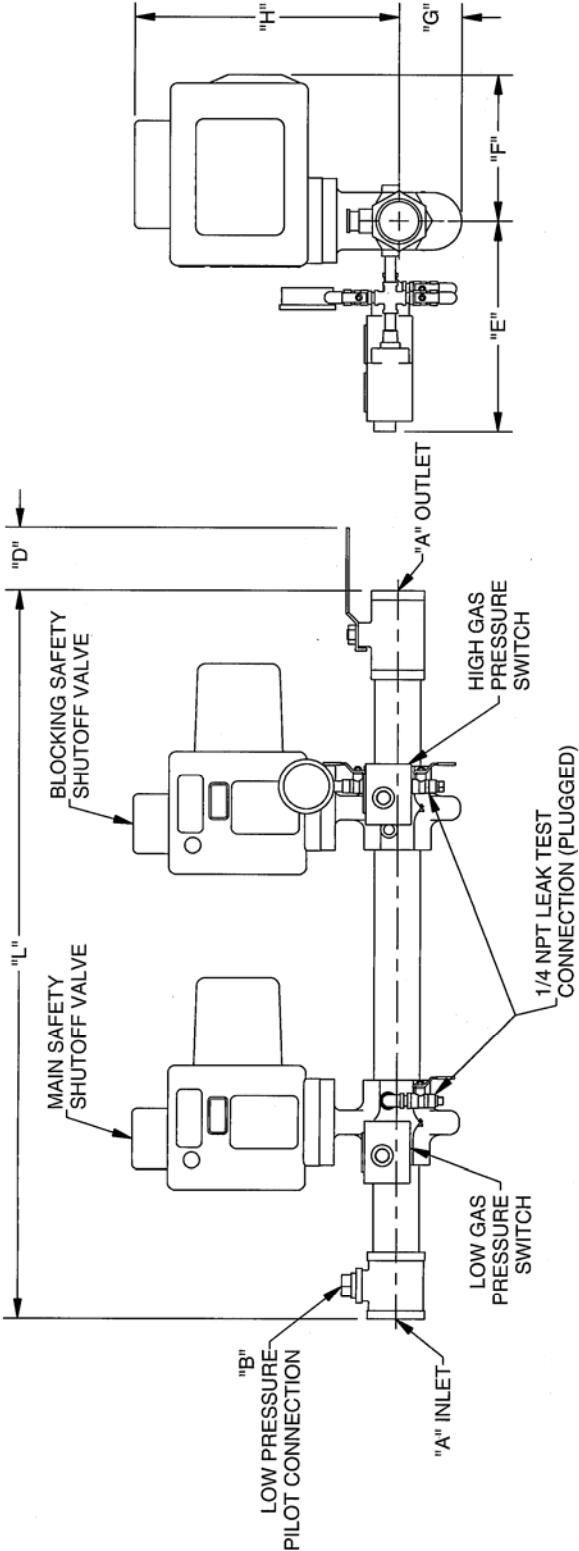
(See Reverse Side For Metric Dimensions)

In accordance with Hauck's commitment to Total Quality Improvement, Hauck reserves the right to change the specifications of products without prior notice.

METRIC DIMENSIONS

PGM PREPIPED GAS MANIFOLD ASPHALT - MAXON

PGM 3100 SERIES



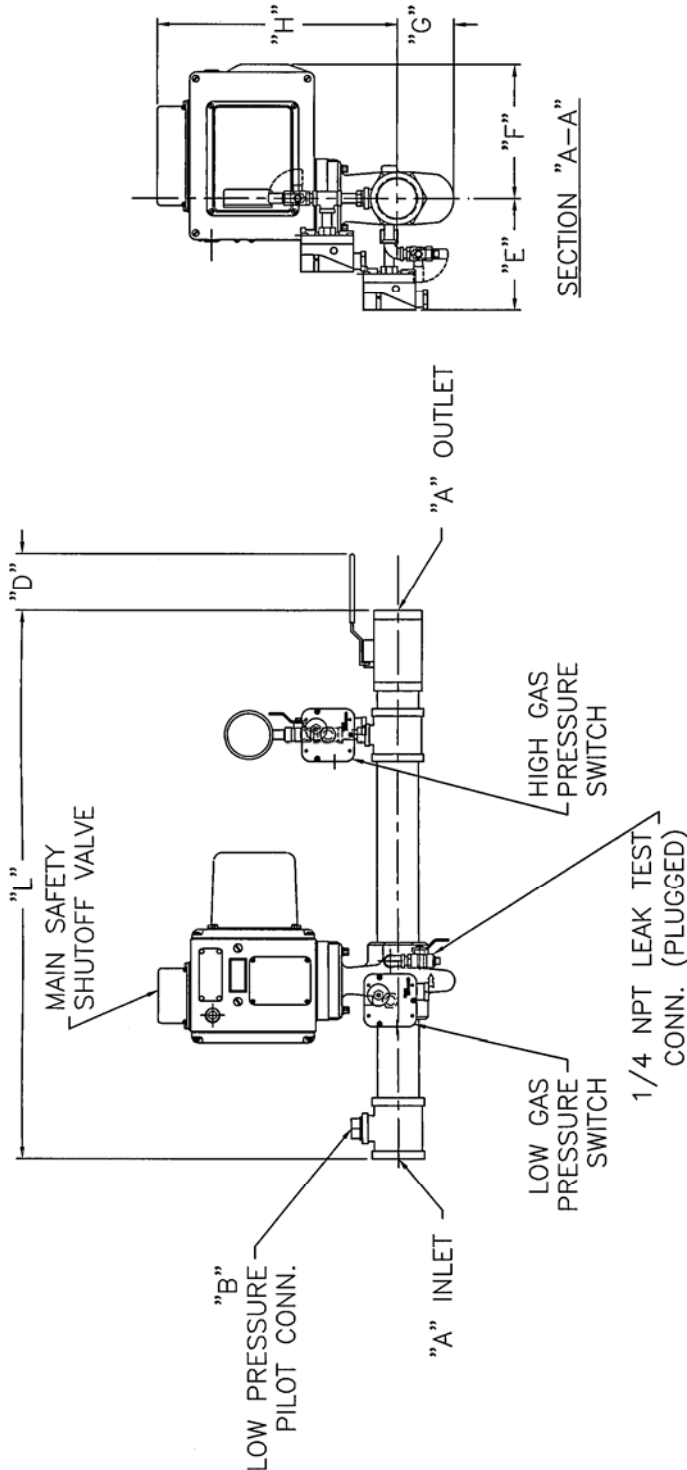
MODEL NO.	"A"	"B"	"D"	"E"	"F"	"G"	"H"	"L"
PGM 3120B	2 NPT	1 NPT	84	278	194	83	348	962
PGM 3125B	2 1/2 NPT	1 1/4 NPT	184	287	194	110	345	1281
PBM 3130B	3 NPT	1 1/4 NPT	173	292	194	117	351	1311
PGM 3140B	4 FLG	2 NPT	254	295	270	141	389	1467
PGM 3160B	6 FLG	2 1/2 NPT	311	295	270	175	389	1778
PGM 3160BX	6 FLG	2 1/2 NPT	311	313	219	186	606	1778

NOTE: 1. FLANGE CONNECTIONS ARE ANSI 125 LB RATED FLANGES.

X3914 METRIC
(NOT TO SCALE)

**PGM PREPIPED GAS MANIFOLD
INDUSTRIAL - MAXON**

PGM 6100 SERIES



MODEL NO.	"A"	"B"	"D"	"E"	"F"	"G"	"H"	"L"
PGM 6107	3/4 NPT		3 3/8		5 1/2	2 9/16	11 3/16	26 1/16
PGM 6110	1 NPT	3/4 NPT	3 1/8	9 1/16	5 7/16	2 7/8	11 3/4	26 7/16
PGM 6112	1 1/4 NPT		3 3/16				12 1/4	28 7/8
PGM 6115	1 1/2 NPT		3 5/16	10 7/16			13 11/16	31 3/8
PGM 6120	2 NPT	1 NPT	7 1/4	8 3/4	7 5/8	3 1/4	13 9/16	31 1/2
PGM 6125	2 1/2 NPT	1 1/4 NPT	6 13/16	9		4 5/8	13 13/16	38 5/16
PGM 6130	3 NPT		10	8 15/16	10 5/8	5 9/16	15 5/16	44 1/2
PGM 6140	4" FLG	2 NPT	12 1/4			6 7/8		51 15/16
PGM 6160	6" FLG	2 1/2 NPT						

X6921
(NOT TO SCALE)

NOTES: 1. FLANGE CONNECTIONS ARE ANSI 125 LB RATED FLANGES.

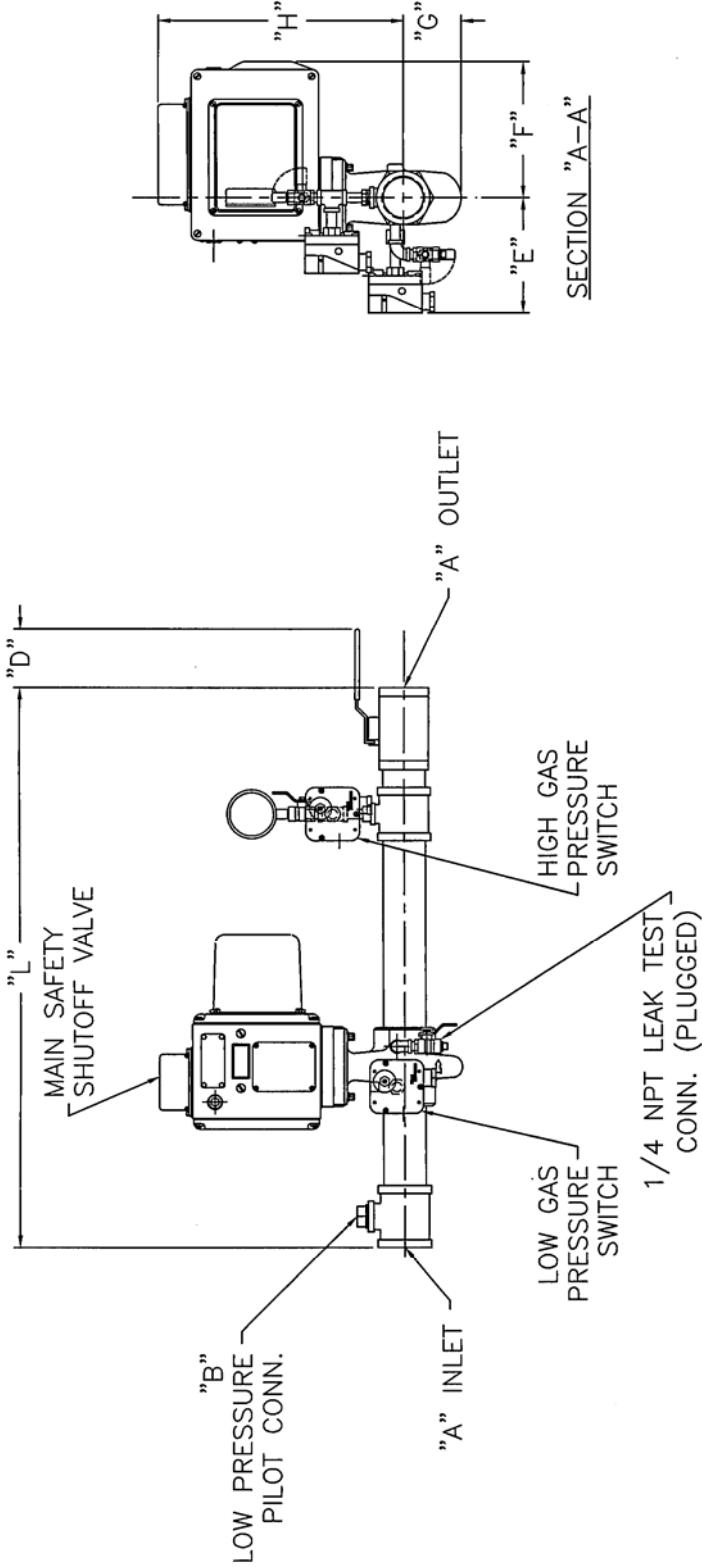
(See Reverse Side For Metric Dimensions)

In accordance with Hauck's commitment to Total Quality Improvement, Hauck reserves the right to change the specifications of products without prior notice.

METRIC DIMENSIONS

PGM PREPIPED GAS MANIFOLD INDUSTRIAL - MAXON

PGM 6100 SERIES



SECTION "A-A"

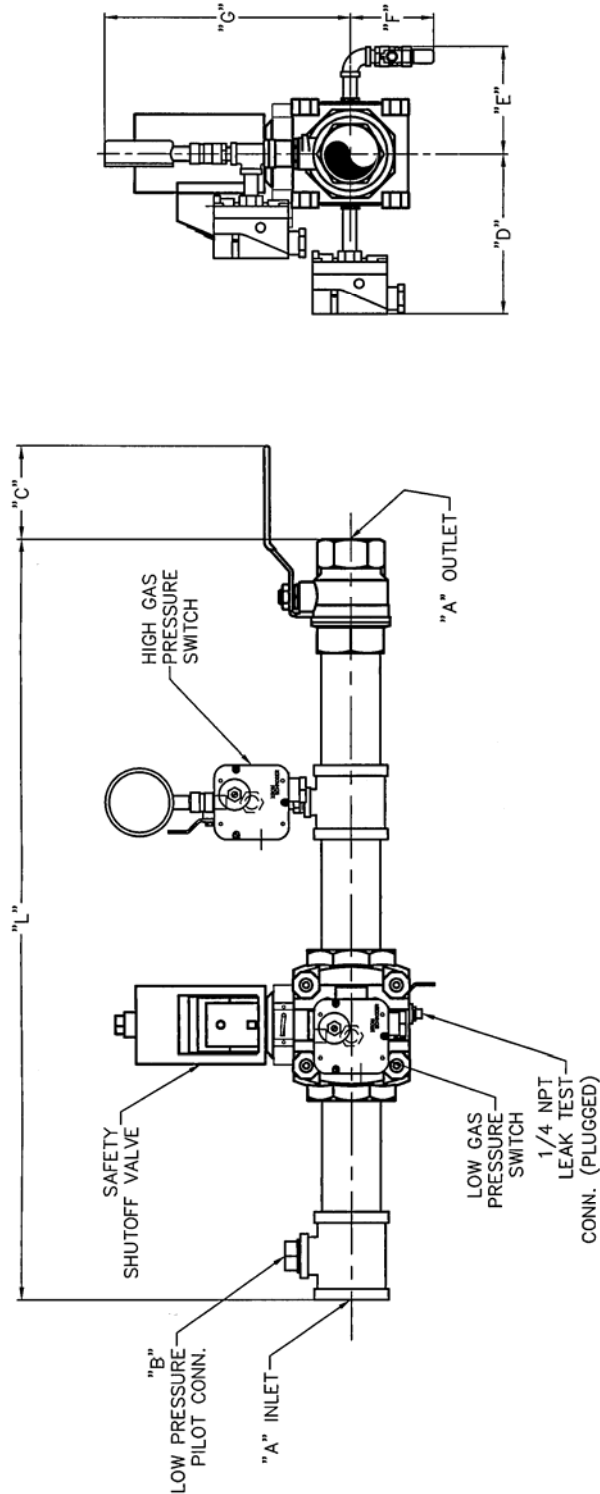
MODEL NO.	"A"	"B"	"D"	"E"	"F"	"G"	"H"	"L"
PGM 6107	3/4 NPT		86		140		284	662
PGM 6110	1 NPT	3/4 NPT	79	230		65		672
PGM 6112	1 1/4 NPT		81		138		298	733
PGM 6115	1 1/2 NPT					73	311	797
PGM 6120	2 NPT	1 NPT	84	265		83	348	800
PGM 6125	2 1/2 NPT	1 1/4 NPT	184	222	194	110	345	973
PGM 6130	3 NPT		173	229		117	351	1027
PGM 6140	4" FLG	2 NPT	254			141		1130
PGM 6160	6" FLG	2 1/2 NPT	311	227	270	175	389	1319

X6921 METRIC
(NOT TO SCALE)

NOTES: 1. FLANGE CONNECTIONS ARE ANSI 125 LB RATED FLANGES.

PGM PREPIPED GAS MANIFOLD INDUSTRIAL - KROMSCHRODER

PGM 6400 SERIES



MODEL NO.	"A"	"B"	"C"	"D"	"E"	"F"	"G"	"L"
PGM 6407	3/4 NPT		3 3/8	5 21/32	3 11/32		8 23/32	20 11/32
PGM 6410	1 NPT		3 1/8	6 1/4	4	3 11/32	9 19/32	21 3/32
PGM 6412	1 1/4 NPT		3 3/16	6 17/32	4 1/4		9 23/32	26 1/2
PGM 6415	1 1/2 NPT		3 5/16	7 1/4	4 5/16		9 29/32	31 15/32
PGM 6420	2 NPT		7 1/4	4 1/16	4 1/8	3 1/2	12 5/32	30 23/32
PGM 6425	2 1/2 NPT		6 13/16	4 11/16	5 3/4	3 23/32	12 1/2	34 13/32
PGM 6430	3 NPT	1 1/4 NPT	10	4 7/8	6 1/8	4 29/32	14 3/4	37 7/8
PGM 6440	4" FLG	2 NPT	12 1/4	5 1/2	7 1/8	6 9/16	15 1/2	42 7/32
PGM 6460	6" FLG	2 1/2 NPT						56 3/4

NOTES: 1. FLANGE CONNECTIONS ARE ANSI 125 LB RATED FLANGES.

Y8206
(NOT TO SCALE)

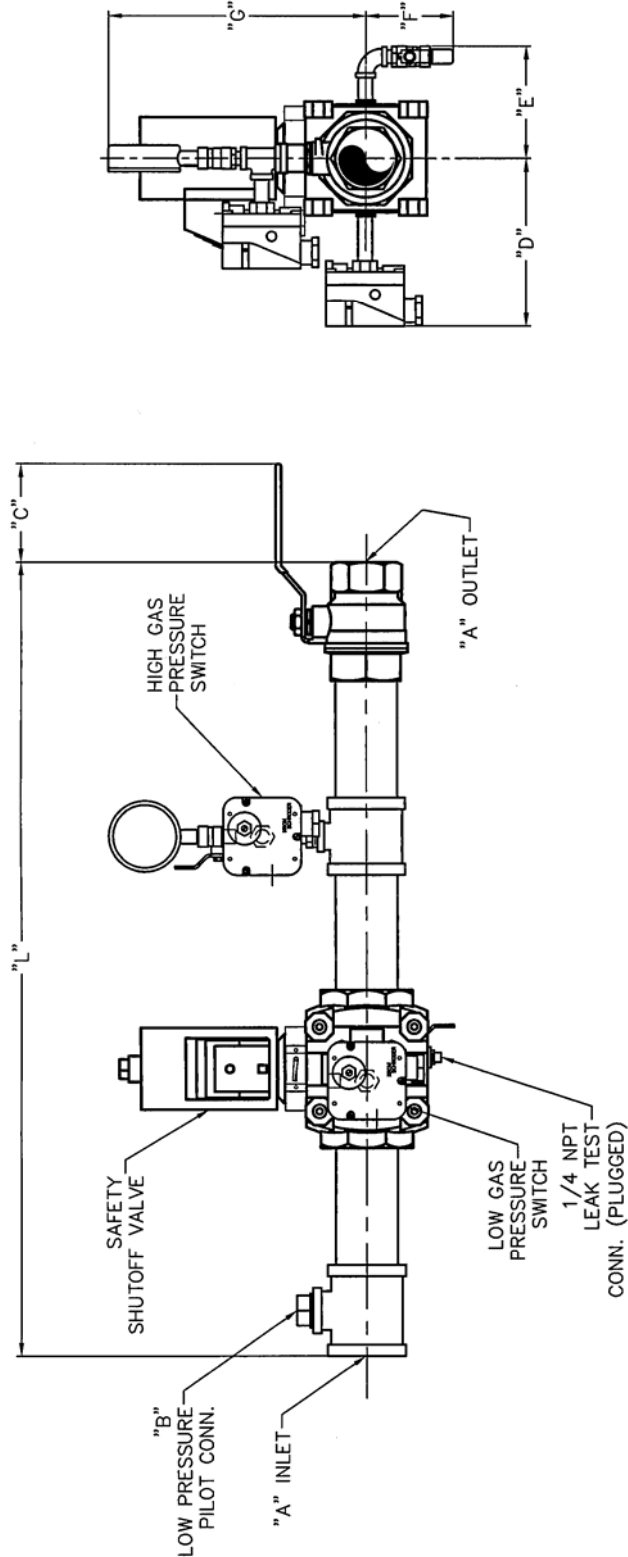
(See Reverse Side For Metric Dimensions)

In accordance with Hauck's commitment to Total Quality Improvement, Hauck reserves the right to change the specifications of products without prior notice.

METRIC DIMENSIONS

PGM PREPIPED GAS MANIFOLD INDUSTRIAL - KROMSCHRODER

PGM 6400 SERIES



MODEL NO.	"A"	"B"	"C"	"D"	"E"	"F"	"G"	"L"
PGM 6407	3/4 NPT		86	144	85		221	517
PGM 6410	1 NPT		79	159	102	85	144	536
PGM 6412	1 1/4 NPT		81	166	108		247	673
PGM 6415	1 1/2 NPT		84		110		252	799
PGM 6420	2 NPT	1 NPT					309	780
PGM 6425	2 1/2 NPT	1 1/4 NPT	184	103	105	89	318	874
PGM 6430	3 NPT		173	119	146	94	375	962
PGM 6440	4" FLG	2 NPT	254	124	156	125	394	1072
PGM 6460	6" FLG	2 1/2 NPT	311	140	180	167		1441

NOTES: 1. FLANGE CONNECTIONS ARE ANSI 125 LB RATED FLANGES.

Y8206 METRIC
(NOT TO SCALE)



PGM PREPIPED GAS MANIFOLD 3100 SERIES PGM SELECTION FOR STARJET BURNERS

STARJET BURNER			3100 SERIES PGM	
MODEL NO.	CAPACITY (MMBtu/hr)	NATURAL GAS FLOW (scfh)	MODEL NO.	NATURAL GAS FLOW (scfh)
SJ 075	15.3	14,620	3120	20,000
150	28.0	26,830	3125	31,880
200	40.6	38,940	3125*	31,880
260	49.5	47,400	3130*	43,810
360	75.9	72,690	3140	101,100
520	97.2	93,080	3140	101,100
580	120	115,400	3160	134,200
750	151	144,200	3160*	134,200
980	201	192,300	3160X	224,100

NOTES:

1. Burner capacities based on natural gas with HHV of 1034 Btu/ft³, 0.59 s.g., and 60°F.
2. PGM natural gas flows based on natural gas with 0.59 s.g., 60°F, **5 psig** inlet pressure and **1.5 psig** pressure drop through PGM.
3. To achieve the capacity for a given burner, PGMs identified with an asterisk (*) require a gas inlet pressure greater than **5 psig**.

METRIC DATA

STARJET BURNER			3100 SERIES PGM	
MODEL NO.	CAPACITY (MW)	NATURAL GAS FLOW (nm ³ /hr)	MODEL NO.	NATURAL GAS FLOW (nm ³ /hr)
SJ 075	4	392	3120	536
150	7.4	719	3125	854
200	10.7	1,040	3125*	854
260	13.1	1,270	3130*	1,170
360	20.1	1,950	3140	2,710
520	25.7	2,490	3140	2,710
580	31.7	3,090	3160	3,590
750	39.9	3,860	3160*	3,590
980	53.2	5,150	3160X	6,000

NOTES:

1. Burner capacities based on natural gas with LHV of 36.74MJ/nm³, 0.59 s.g., and 0°C.
2. PGM natural gas flows based on natural gas with 0.59 s.g., 0°C, **34.5 kPa** inlet pressure and **10.3 kPa** pressure drop through PGM.
3. To achieve the capacity for a given burner, PGMs identified with an asterisk (*) require a gas inlet pressure greater than **34.5 kPa**.

In accordance with Hauck's commitment to Total Quality Improvement, Hauck reserves the right to change the specifications of products without prior notice.



PGM PREPIPED GAS MANIFOLD 3100 SERIES PGM SELECTION FOR ECO-STAR BURNERS

ECO-STAR BURNER			3100 SERIES PGM	
MODEL NO.	CAPACITY (MMBtu/hr)	NATURAL GAS FLOW (scfh)	MODEL NO.	NATURAL GAS FLOW (scfh)
ES 25	25	24,180	3125	31,880
50	50	48,360	3130*	43,810
ESII 75	75	72,530	3140	101,100
100	100	96,710	3140	101,100
125	125	120,900	3160	134,200
150	150	145,100	3160*	134,200
175	175	169,200	3160X	224,100
200	200	193,400	3160X	224,100

NOTES:

1. Burner capacities based on natural gas with HHV of 1034 Btu/ft³, 0.59 s.g., and 60°F.
2. PGM natural gas flows based on natural gas with 0.59 s.g., 60°F, **5 psig** inlet pressure and **1.5 psig** pressure drop through PGM.
3. To achieve the capacity for a given burner, PGMs identified with an asterisk (*) require a gas inlet pressure greater than **5 psig**.

METRIC DATA

ECO-STAR BURNER			3100 SERIES PGM	
MODEL NO.	CAPACITY (MW)	NATURAL GAS FLOW (nm ³ /hr)	MODEL NO.	NATURAL GAS FLOW (nm ³ /hr)
ES 25	6.6	648	3125	854
50	13.2	1,300	3130*	1,170
ESII 75	19.8	1,940	3140	2,710
100	26.5	2,590	3140	2,710
125	33.1	3,240	3160	3,590
150	39.7	3,890	3160*	3,590
175	46.3	4,530	3160X	6,000
200	52.9	5,180	3160X	6,000

NOTES:

1. Burner capacities based on natural gas with LHV of 36.74MJ/nm³, 0.59 s.g., and 0°C.
2. PGM natural gas flows based on natural gas with 0.59 s.g., 0°C, **34.5 kPa** inlet pressure and **10.3 kPa** pressure drop through PGM.
3. To achieve the capacity for a given burner, PGMs identified with an asterisk (*) require a gas inlet pressure greater than **34.5 kPa**.

In accordance with Hauck's commitment to Total Quality Improvement, Hauck reserves the right to change the specifications of products without prior notice.



**PGM PREPIPED GAS MANIFOLD
3100 SERIES PGM SELECTION
FOR NOVASTAR BURNERS**

NOVASTAR BURNER			3100 SERIES PGM	
MODEL NO.	CAPACITY (MMBtu/hr)	NATURAL GAS FLOW (scfh)	MODEL NO.	NATURAL GAS FLOW (scfh)
NS 75	70	67,400	3130	44,600
100	100	97,000	3140	102,400
125	129	125,000	3160	136,000
150	150	145,500	3160	136,000

NOTES:

1. Burner capacities based on natural gas with HHV of 1034 Btu/ft³, 0.59 s.g., and 60°F.
2. PGM natural gas flows based on natural gas with 0.59 s.g., 60°F, **8 psig** inlet pressure and **1.5 psig** pressure drop through PGM.

METRIC DATA

NOVASTAR BURNER			3100 SERIES PGM	
MODEL NO.	CAPACITY (MW)	NATURAL GAS FLOW (nm ³ /hr)	MODEL NO.	NATURAL GAS FLOW (nm ³ /hr)
NS 75	20.5	1,810	3130	1,200
100	29.3	2,600	3140	2,750
125	37.8	3,350	3160	3,650
150	44.0	3,900	3160	3,650

NOTES:

1. Burner capacities based on natural gas with LHV of 36.74MJ/nm³, 0.59 s.g., and 0°C.
2. PGM natural gas flows based on natural gas with 0.59 s.g., 0°C, **55 kPa** inlet pressure and **10.3 kPa** pressure drop through PGM.

In accordance with Hauck's commitment to Total Quality Improvement, Hauck reserves the right to change the specifications of products without prior notice.