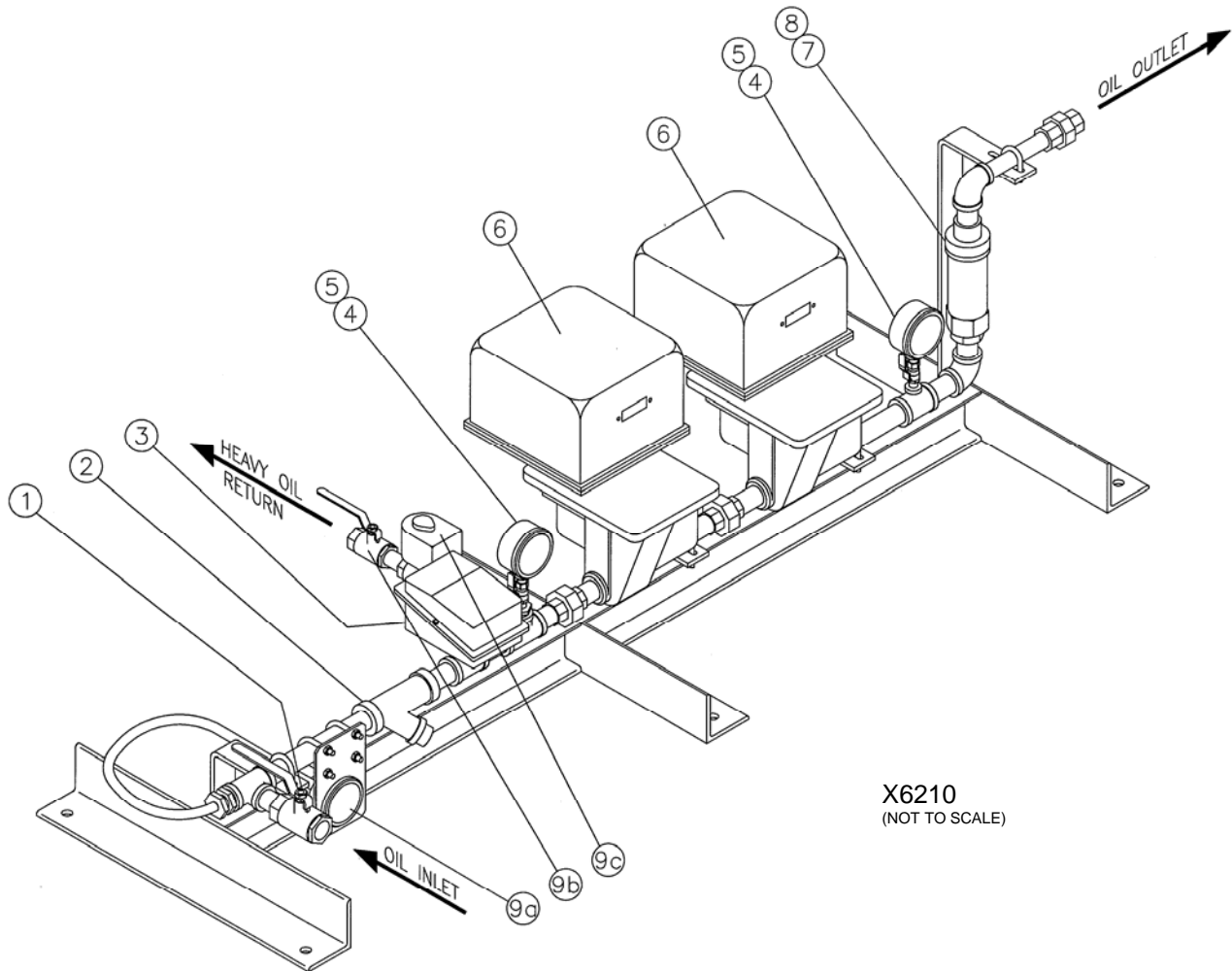


**PREPIPED HEAVY OIL MANIFOLD
POM-H 207 - POM-H 210**

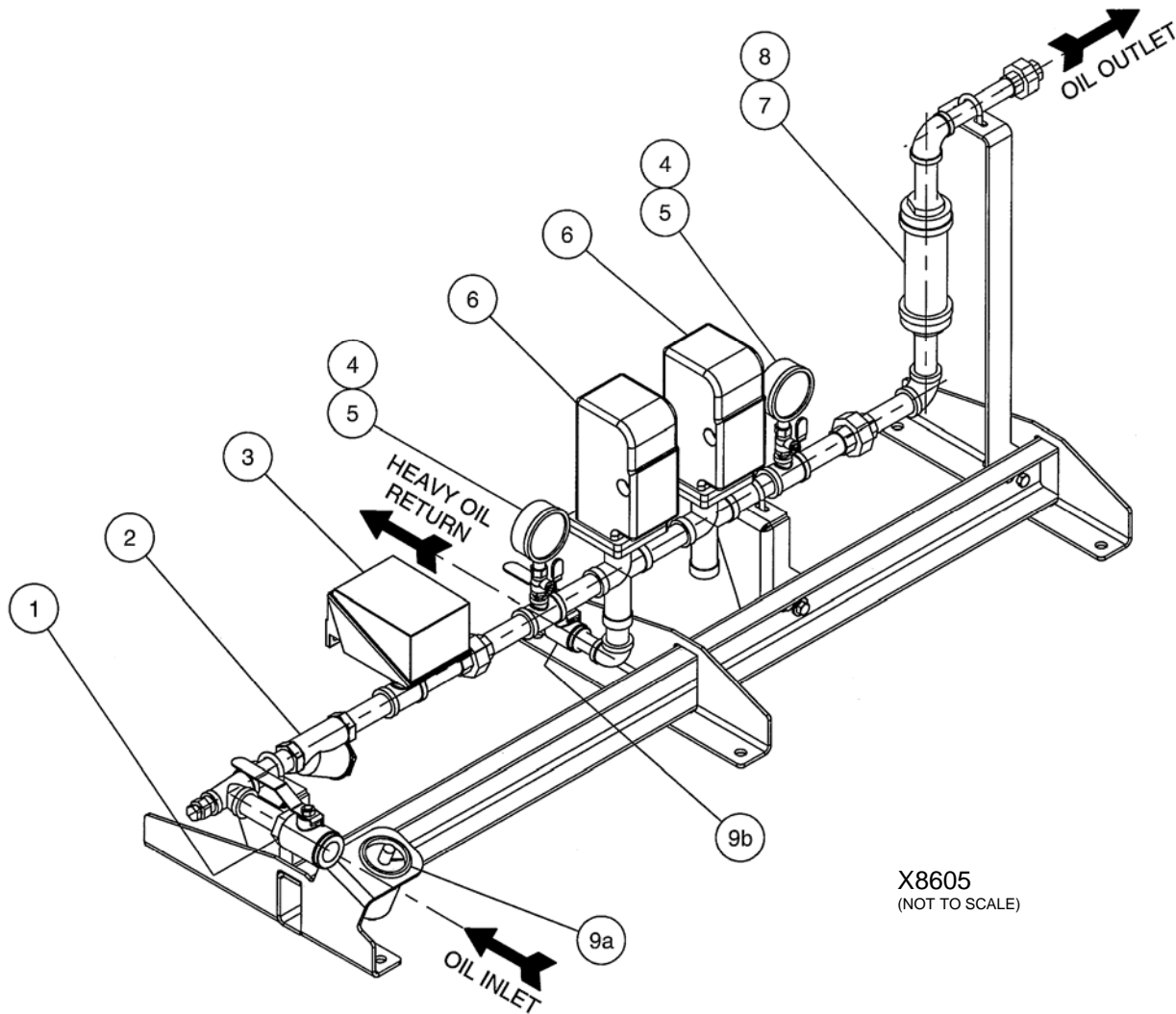


X6210
(NOT TO SCALE)

Key No.	Description	POM-H 207-1	POM-H 207-2	POM-H 207-3	POM-H 210
1	Valve, Manual Ball	41607	41607	41607	41608
2	Strainer	16344	16344	16344	20515
3	Switch, Low/High Pressure	303133	303133	303133	303133
4	Valve, Mini-Ball 1/4 NPT	15796	15796	15796	15796
5	Gauge, Liquid Filled 0-100 psig	35971	35971	35971	35971
6	Valve, Automatic Safety Shutoff	60023	60023	60023	52285
7	Flow Meter	41419x004	41419x005	41419x001	41419x001
8	Replacement Glass, Flow Meter	61948	61947	61950	61950
9	Heavy Oil Conversion Kit	71191x001	71191x001	71191x001	71191x002
9a	Controller, Low/High Temperature	301199	301199	301199	301199
9b	Valve, Manual Ball 1/2 NPT	41694	41694	41694	41694
9c	Solenoid Valve, 1/2 NPT	301680	301680	301680	301680

This page left intentionally blank.

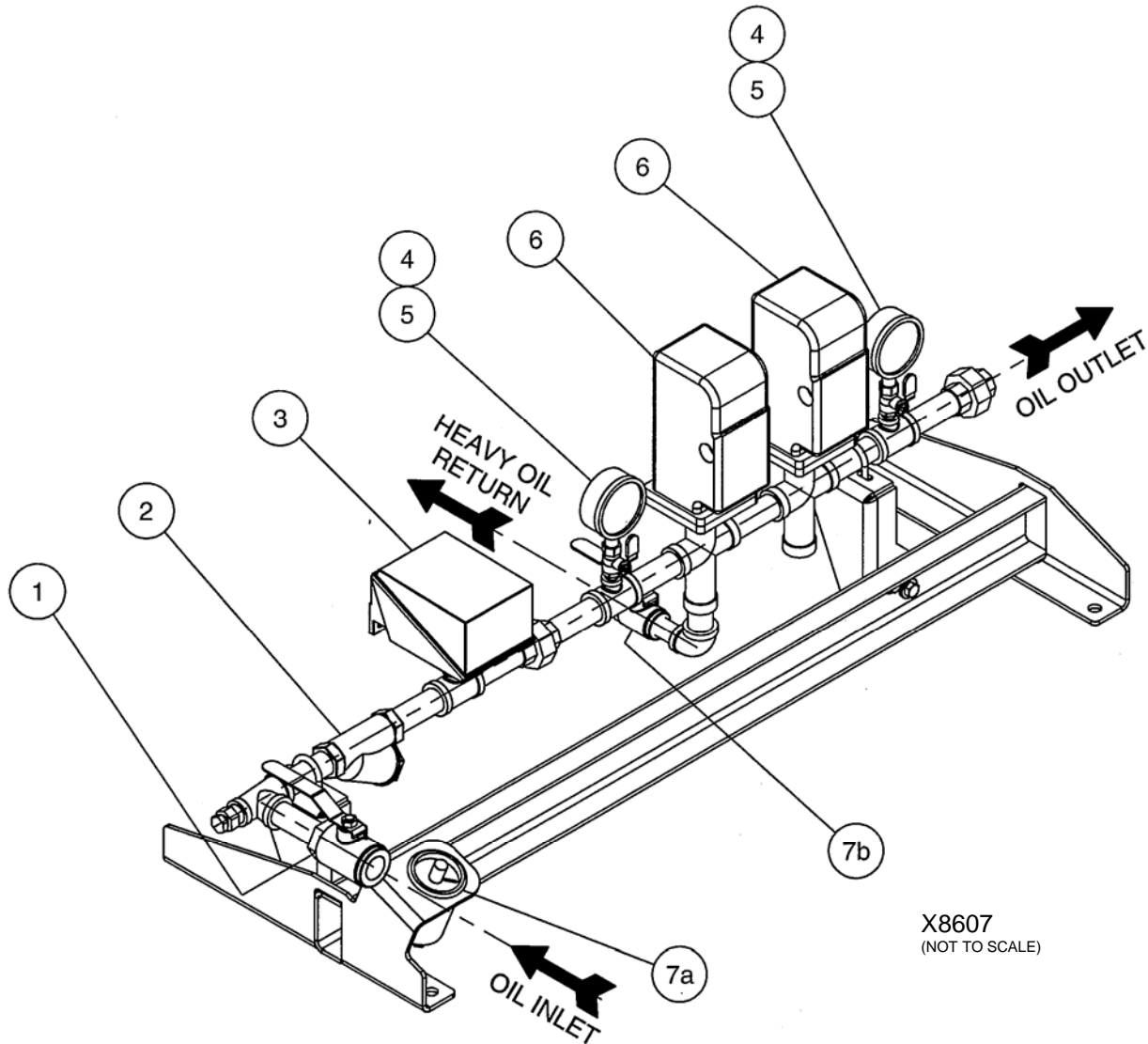
PREPIPED HEAVY OIL MANIFOLD POM-H 407



Key No.	Description	POM-H 407-1	POM-H 407-2	POM-H 407-3
1	Valve, Manual Ball	41607	41607	41607
2	Strainer	16344	16344	16344
3	Switch, Low/High Pressure	303133	303133	303133
4	Valve, Mini-Ball 1/4 NPT	15796	15796	15796
5	Gauge, Liquid Filled 0-100 psig	35971	35971	35971
6	Valve, Automatic Safety Shutoff	302883	302883	302883
7	Flow Meter	41419x004	41419x005	41419x001
8	Replacement Glass, Flow Meter	61948	61947	61950
9	Heavy Oil Conversion Kit	406390	406390	406390
9a	Controller, Low/High Temperature	301199	301199	301199
9b	Valve, Manual Ball 1/2 NPT	41694	41694	41694

This page left intentionally blank.

PREPIPED HEAVY OIL MANIFOLD POM-H 507

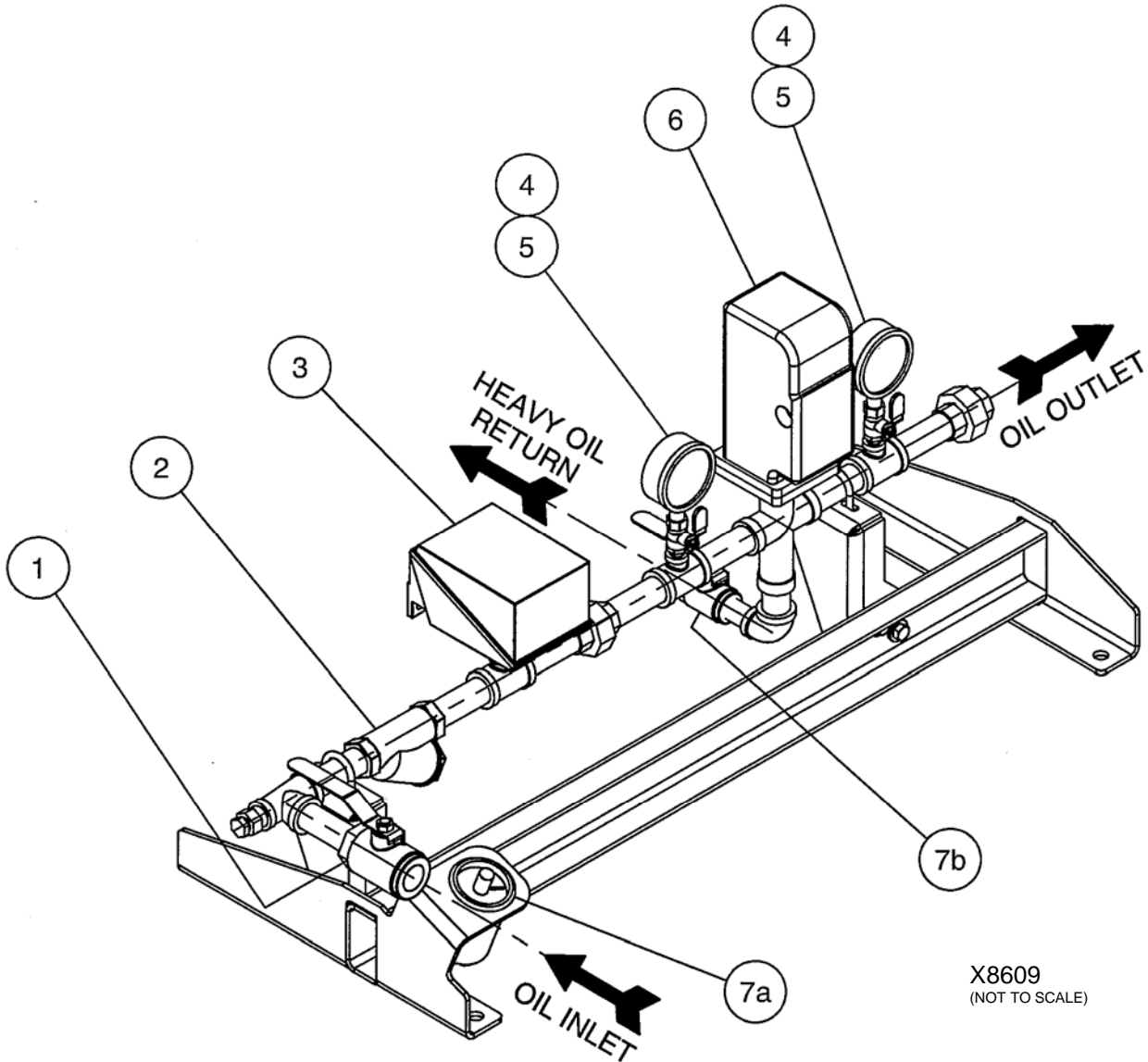


X8607
(NOT TO SCALE)

Key No.	Description	POM-H 507
1	Valve, Manual Ball	41607
2	Strainer	16344
3	Switch, Low/High Pressure	303133
4	Valve, Mini-Ball 1/4 NPT	15796
5	Gauge, Liquid Filled 0-100 psig	35971
6	Valve, Automatic Safety Shutoff	60023
7	Heavy Oil Conversion Kit	406390
7a	Controller, Low/High Temperature	301199
7b	Valve, Manual Ball 1/2 NPT	41694

This page left intentionally blank.

PREPIPED HEAVY OIL MANIFOLD POM-H 607



Key No.	Description	POM-H 607
1	Valve, Manual Ball	41607
2	Strainer	16344
3	Switch, Low/High Pressure	303133
4	Valve, Mini-Ball 1/4 NPT	15796
5	Gauge, Liquid Filled 0-100 psig	35971
6	Valve, Automatic Safety Shutoff	302883
7	Heavy Oil Conversion Kit	406390
7a	Controller, Low/High Temperature	301199
7b	Valve, Manual Ball 1/2 NPT	41694

This page left intentionally blank.