



**STARJET BURNER  
SJ075 – SJ980**

<b>36 osig 60 Hz Direct Drive Blowers</b>						
<b>Burner Model</b>	<b>Air Flow (scfm)</b>	<b>Pressure (osig)</b>	<b>TBA Blower Model</b>	<b>Motor HP</b>	<b>Fan Rating (acfm @ 350°F)</b>	<b>Max. Capacity (MMBtu/hr)</b>
SJ075	1,200	36	TBA - 36 - 20	20	8,600	15.2
SJ150	1,832	36	TBA - 36 - 25	25	16,000	27.9
SJ200	2,800	37	TBA - 36 - 40	40	23,000	40.5
SJ260	3,500	36	TBA - 36 - 50	50	28,000	49.3
SJ360	5,400	37	TBA - 36 - 75	75	43,000	75.6
SJ520	7,300	36	TBA - 36 - 100	100	55,000	96.8
SJ580	7,900	33	TBA - 36 - 100	100	68,000	120
SJ750	9,940	38	TBA - 36 - 125	125	85,000	150
SJ980	12,220	36	TBA - 36 - 150	150	128,000	200

**Capacity Table Notes:**

1. Oil capacities based on Higher Heating Value (HHV) of 138,000 Btu/gal and viscosity of oil delivered at the burner of 90 SSU or lower.
2. Gas capacities based on HHV of 1,040 Btu/ft<sup>3</sup> and 5 psig manifold inlet pressure with a 3 psig drop across manifold.
3. Liquid propane capacities based on HHV of 91,044 Btu/gal and 50 psig above vapor pressure at inlet of LP burner control valve (butane and 50/50 propane/butane mixture capacities available upon request).
4. Burner capacities based on standard air density: sea level (29.92" Hg) at 70°F. Correction factors must be applied for altitude/temperature variations; consult Hauck.
5. Only 40% of air for combustion is passed through the burner. The remaining 60% of air for combustion plus a minimum of 20% excess air must be induced by the dryer exhaust system at a negative 0.25" wc at the burner/breeching ring.
6. Horsepower rating is based on Hauck blower performance. Blowers of other manufacturers may be used, however, higher horsepower motors may be required as a result of lower efficiencies.
7. "E", "F" & "G" Model burners can be accurately monitored for air flow by using the body pressure P1 test point with an accurate osig pressure gauge. Burners equipped with a blower inlet orifice can be monitored for air flow using a draft gauge capable of reading negative 3" wc. Readings can be related to scfm on corresponding burner charts.
8. Burners equipped with a gas orifice meter can be accurately checked for gas flow by measuring the differential pressure across the orifice meter with a U-tube device capable of reading 0-20"wc. Readings can be related to gas flow using corresponding Burner Performance Tables under gas orifice  $\Delta P$  ("wc) and gas flow (scfh).

(See Reverse Side for Metric Capacities)

In accordance with Hauck's commitment to Total Quality Improvement, Hauck reserves the right to change the specifications of products without prior notice.

## METRIC CAPACITIES

<b>36 osig 60 Hz Direct Drive Blowers</b>						
<b>Burner Model</b>	<b>Air Flow (nm<sup>3</sup>/min)</b>	<b>Pressure (kPa)</b>	<b>TBA Blower Model</b>	<b>Motor HP</b>	<b>Fan Rating (am<sup>3</sup>/min @ 177°C)</b>	<b>Max. Capacity (kW)</b>
SJ075	32.1	15.5	TBA - 36 - 20	20	230	4,020
SJ150	49.1	15.5	TBA - 36 - 25	25	429	7,380
SJ200	75.0	15.9	TBA - 36 - 40	40	616	10,700
SJ260	93.8	15.5	TBA - 36 - 50	50	750	13,000
SJ360	145	15.9	TBA - 36 - 75	75	1,150	20,000
SJ520	196	15.5	TBA - 36 - 100	100	1,470	25,600
SJ580	212	14.2	TBA - 36 - 100	100	1,820	31,700
SJ750	266	16.4	TBA - 36 - 125	125	2,280	39,700
SJ980	327	15.5	TBA - 36 - 150	150	3,430	52,900

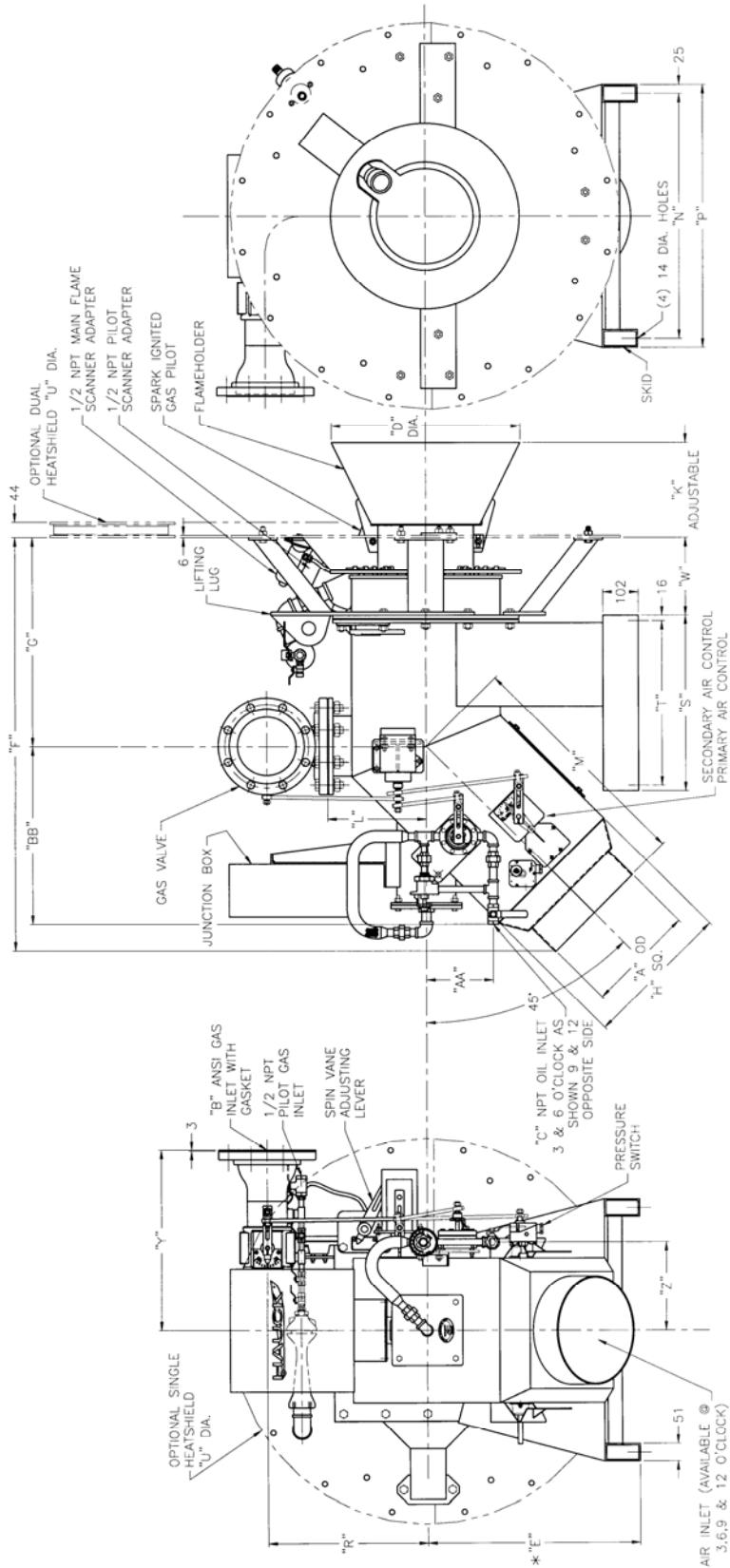
**Metric Capacity Table Notes:**

1. Oil capacities based on Lower Heating Value (LHV) of 36.17 MJ/l and viscosity of oil delivered at the burner of  $1.8 \times 10^{-5}$  m<sup>2</sup>/sec or lower.
2. Gas capacities based on LHV of 36.96 MJ/nm<sup>3</sup> and 34.5 kPa manifold inlet pressure with a 20.7 kPa drop across manifold.
3. Liquid propane capacities based on LHV of 23.83 MJ/l and 345 kPa above vapor pressure at inlet of LP burner control valve (butane and 50/50 propane/butane mixture capacities available upon request).
4. Burner capacities based on standard air density: sea level (760mm Hg) at 21°C. Correction factors must be applied for altitude/temperature variations; consult Hauck.
5. Only 40% of air for combustion is passed through the burner. The remaining 60% of air for combustion plus a minimum of 20% excess air must be induced by the dryer exhaust system at a negative 6.3mm wc at the burner/breeching ring.
6. Horsepower rating is based on Hauck blower performance. Blowers of other manufacturers may be used, however, higher horsepower motors may be required as a result of lower efficiencies.
7. "E", "F" & "G" Model burners can be accurately monitored for air flow by using the body pressure P1 test point with an accurate kPa pressure gauge. Burners equipped with a blower inlet orifice can be monitored for air flow using a draft gauge capable of reading negative 76mm wc. Readings can be related to nm<sup>3</sup>/hr on corresponding burner charts.
8. Burners equipped with a gas orifice meter can be accurately checked for gas flow by measuring the differential pressure across the orifice meter with a U-tube device capable of reading 0-500mm wc. Readings can be related to gas flow using corresponding Burner Performance Tables under gas orifice  $\Delta P$  (mm wc) and gas flow (m<sup>3</sup>/hr).



# METRIC DIMENSIONS

## Y4060 METRIC (NOT TO SCALE)



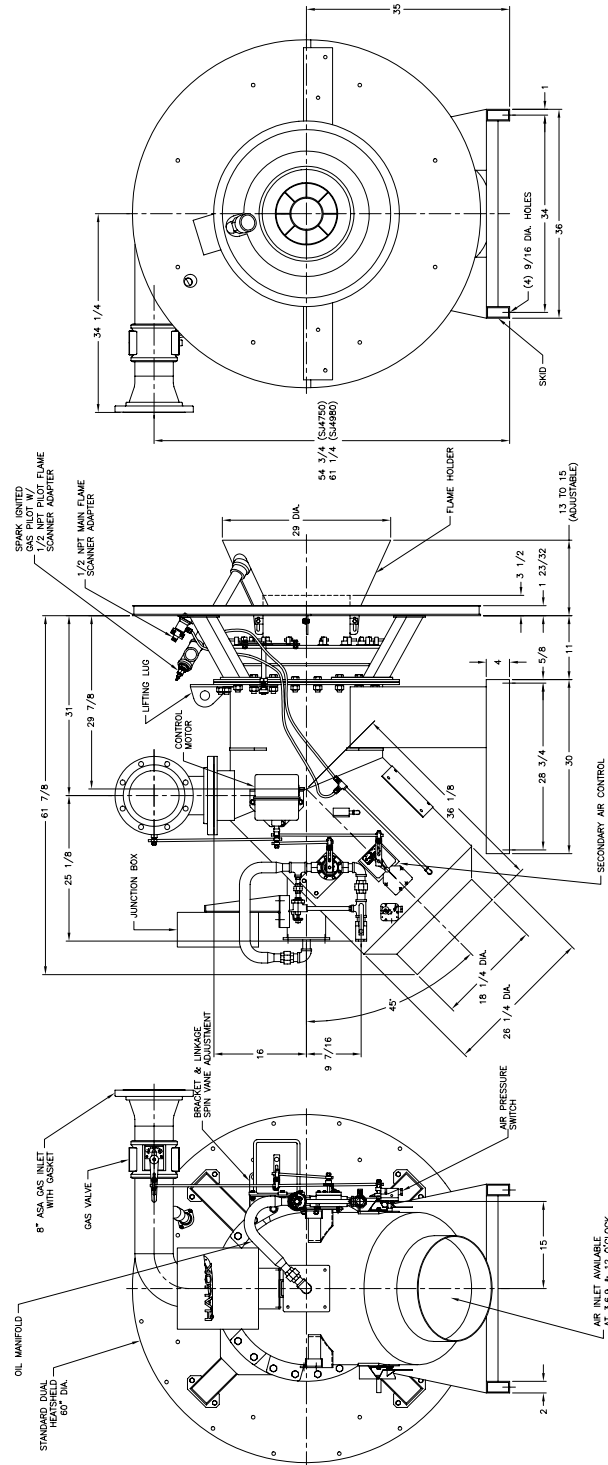
NOTES:  
DIMENSIONS ARE IN MM  
\* E = 762 ON SJ460 THRU SJ460 WITH GAS VALVE METERING KIT  
FOR 12 O'CLOCK AIR INLET.

MODEL NO.	"A"	"B"	"C"	"D"	"E"	"F"	"G"	"H"	"K"	"L"	"M"	"N"	"P"	"R"	"S"	"U"	"W"	"X"	"Y"	"Z"	"AA"	"BB"
SJ4075	210	2 1/2		438	610	991	578	311	152 TO 178 248 TO 273	206	508	559	610	383	381	864	149	321	200	167	465	
SJ4150			1/2																			
SJ4200	260	4		495		1092	581	362	165 TO 241 216 TO 241	251	629	660	711	427	508			384	225	257	473	
SJ4260				533																		
SJ4360	311	6	1	552	610*	1197	606	425	260 TO 286	283	679	711	762	459				524	260	187	519	
SJ4520																				225	225	
SJ4580																						



# DIMENSIONS

## STARJET BURNER SJ750 – SJ980



Y3351  
(NOT TO SCALE)

(See Reverse Side for Metric Dimensions)

In accordance with Hauck's commitment to Total Quality Improvement, Hauck reserves the right to change the specifications of products without prior notice.

HAUCK MANUFACTURING CO., P.O. Box 90, Lebanon, PA 17042-0090 717-272-3051

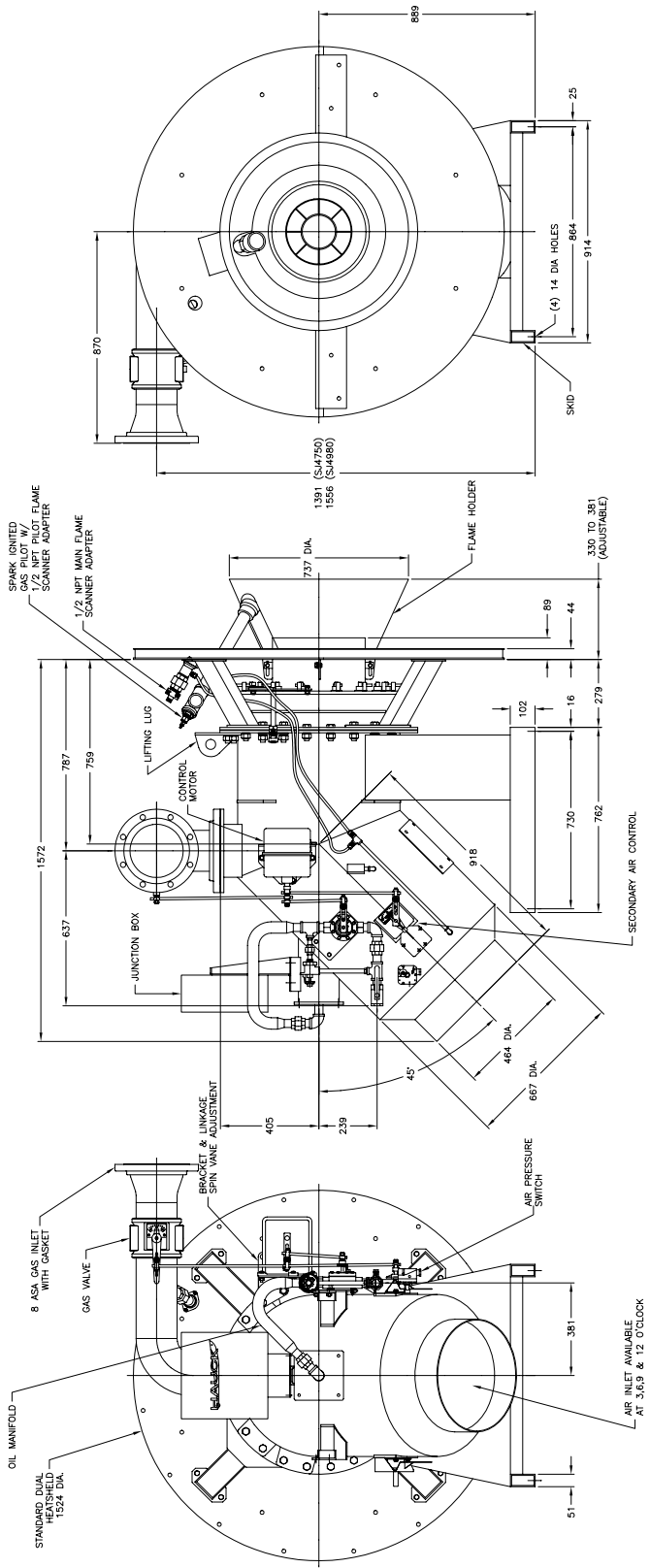
11/04

www.hauckburner.com

Fax: 717-273-9882

SJ-3.1

# METRIC DIMENSIONS



**Y3351 METRIC**  
(NOT TO SCALE)

**NOTE:**  
1. ALL DIMENSIONS ARE IN MM.

In accordance with Hauck's commitment to Total Quality Improvement, Hauck reserves the right to change the specifications of products without prior notice.