

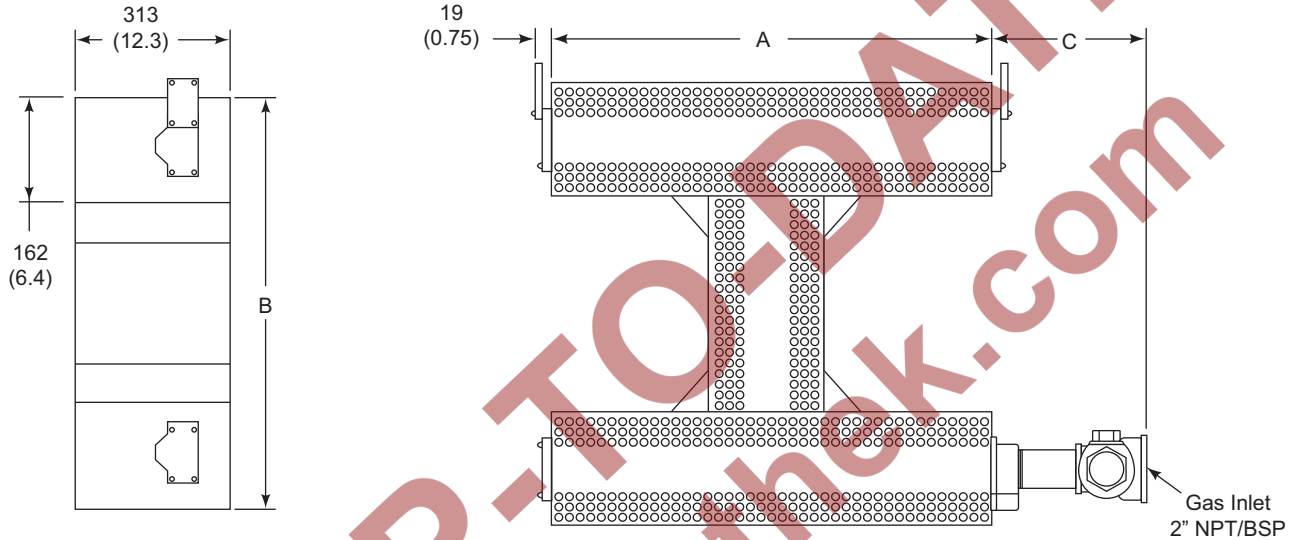
Eclipse AirHeat Burners

Model TAH-O

Data sheet Edition 11.18

Version 1

Dimensions in millimeters (inches)



English Units

Burner Catalog No.	Assembly No.	Total Input* (MM Btu/h)		Dimensions in inches			Cross Sectional Area, sq. in.	Approx. Ship Weight, lbs.
		0.8 MM Btu/ft	1.0 MM Btu/ft	A	B	C		
240 TAH-O	109477	2.4	3.0	12-1/8	18-7/8	7-1/16	230	121
280 TAH-O	109478	2.8	3.5	12-1/8	24-7/8	7-15-16	269	138
320 TAH-O	109479	3.2	4.0	12-1/8	30-7/8	7-15-16	307	159
360 TAH-O	109480	3.6	4.5	12-1/8	36-7/8	7-15-16	345	179
400 TAH-O	109481	4.0	5.0	24-1/8	18-7/8	7-15-16	383	201
440 TAH-O	109482	4.4	5.5	24-1/8	24-7/8	9-5/16	422	219
480 TAH-O	109483	4.8	6.0	24-1/8	30-7/8	9-5/16	460	243
520 TAH-O	109484	5.2	6.5	24-1/8	36-7/8	9-5/16	498	273
560 TAH-O	109485	5.6	7.0	36-1/8	18-7/8	9-5/16	536	306
600 TAH-O	109486	6.0	7.5	36-1/8	24-7/8	9-5/16	575	339
640 TAH-O	109487	6.4	8.0	36-1/8	30-7/8	9-5/16	613	354
680 TAH-O	109488	6.8	8.5	36-1/8	36-7/8	9-5/16	651	380
720 TAH-O	109489	7.2	9.0	36-1/8	42-7/8	9-5/16	689	405

* See TAH-O Information Guide for more information about typical fuel composition and properties.

Metric Units

Burner Catalog No.	Assembly No.	Total Input kW*		Dimensions in Millimeters			Cross Sectional Area, sq. cm.	Approximate Ship Weight, kgs.
		769 kW/M	962 kW/M	A	B	C		
240 TAH-O	109477	703	879	308	479	179	1484	55
280 TAH-O	109478	821	1026	308	632	202	1736	63
320 TAH-O	109479	938	1172	308	784	202	1981	72
360 TAH-O	109480	1055	1319	308	937	202	2226	81
400 TAH-O	109481	1172	1466	613	479	202	2471	91
440 TAH-O	109482	1290	1612	613	632	237	2723	99
480 TAH-O	109483	1407	1759	613	784	237	2968	110
520 TAH-O	109484	1524	1905	613	937	237	3213	124
560 TAH-O	109485	1641	2052	918	479	237	3458	139
600 TAH-O	109486	1759	2198	918	632	237	3710	154
640 TAH-O	109487	1876	2345	918	784	237	3955	161
680 TAH-O	109488	1993	2491	918	937	237	4200	172
720 TAH-O	109489	2110	2638	918	1089	237	4445	184

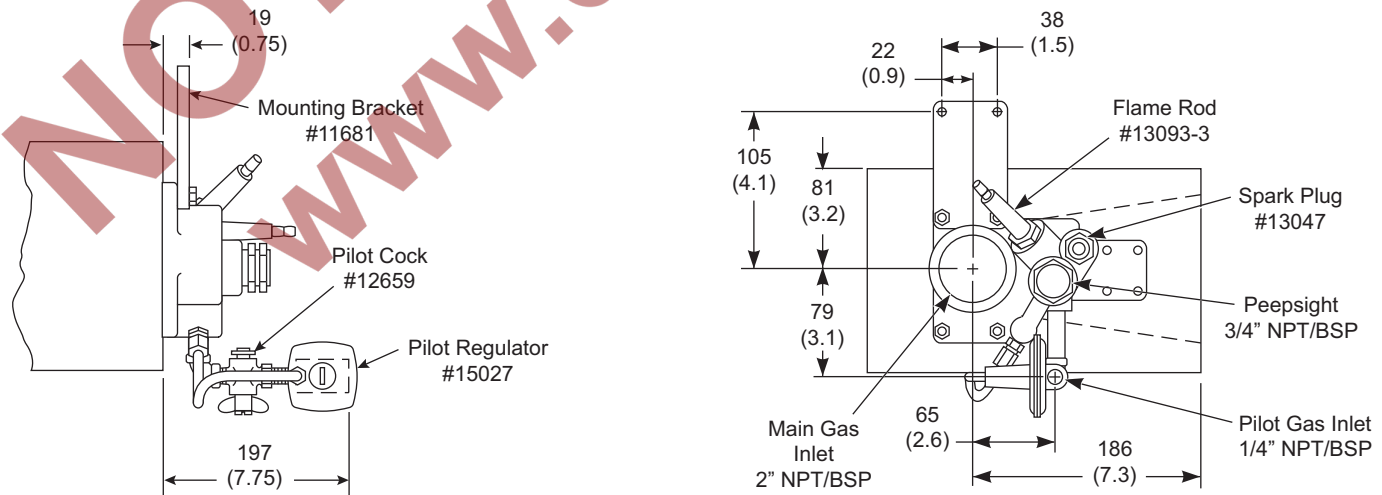
* See TAH-O Information Guide for more information about typical fuel composition and properties.

Approvals



Pilot Components

Dimensions in millimeters (inches)



Check Valve Assembly Numbers

Burner	Assembly	NPT/BSP
240 TAH-O	550096	1"
280 thru 720 TAH-O	550100	1-1/4"

