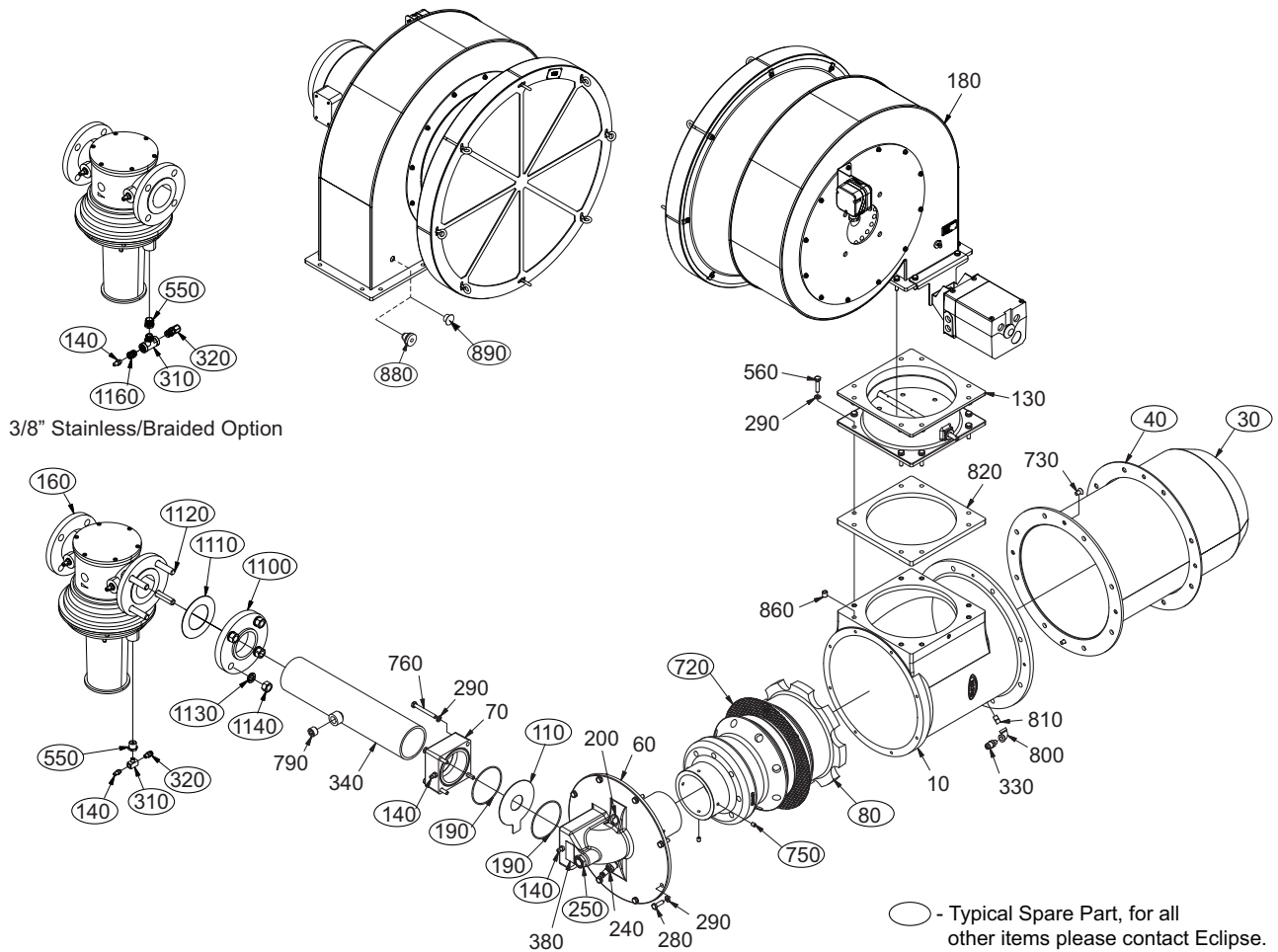


Eclipse RatioAir Burners

Model RA1000

Spare Parts List Edition 09.15

Version 3



Ref	Part Number	Description
30	10002787	Alloy Combustor for Straight Burner
30	10003218-3	Alloy Combustor for Medium Velocity Burner
30	10013593	Block and Holder Combustor for Straight Burner
30	10004467-68	Block and Holder Combustor for Medium Velocity Burner
40	10002831	Burner Body to Wall Mounting Gasket
80	10002813-1	Nozzle (Cast Iron)
110	14802-12	Natural Gas Orifice Plate for Straight Burner (40 mm)

Ref	Part Number	Description
110	14802-12	Natural Gas Orifice Plate for Medium Velocity Burner (40 mm)
140	13445	Pressure Tap
170	KS85093320	Ratio Regulator (ANSI 3")
170	KS85093220	Ratio Regulator (DN 80)
190	14781	O-Ring for Gas Inlet Block (95 mm Diameter)
250	10509	Peepsight
310	20682	Threaded Tee Fitting for Impulse Line (Brass)

(Continued on next page)

Ref	Part Number	Description
330	19668	Straight Fitting for Braided Stainless Steel Impulse Line
330	1494	Elbow Fitting for Braided Stainless Steel Air Pressure Switch Line
550	20305	Reducer Bushing (3/4" x 1/8" NPT)
720	10015028-1	Air Diffuser Cone
750	21598	Set Screw (M8 x 10)
880	20606	Grommet for Air Pressure Tap
890	20605	Button Plug
N/S	019869-02	Braided Stainless Steel Impulse Line (600 mm)
N/S	019869-03	Braided Stainless Steel Impulse Line (915 mm)
N/S	019869-05	Braided Stainless Steel Impulse Line (1520 mm)
N/S	36881	Stainless Steel Tubing Impulse Line (600 mm)
N/S	36881	Stainless Steel Tubing Impulse Line (915 mm)
N/S	36881	Stainless Steel Tubing Impulse Line (1520 mm)
N/S	34505	Plastic Air Pressure Switch Line (600 mm)
N/S	20102	Elbow Fitting for Stainless Steel Tubing Impulse Line
N/S	13115	Filter Element (Reticulated Polyurethane 406 mm x 635 mm x 51 mm)
N/S	15608	Filter Element (Reticulated Polyurethane 686 mm Diameter)
N/S	10061992	Kit, Mounting, Actuator, Size 7, SQM5
N/S	10061985	Kit, Mounting, Actuator, Size 7, Honeywell