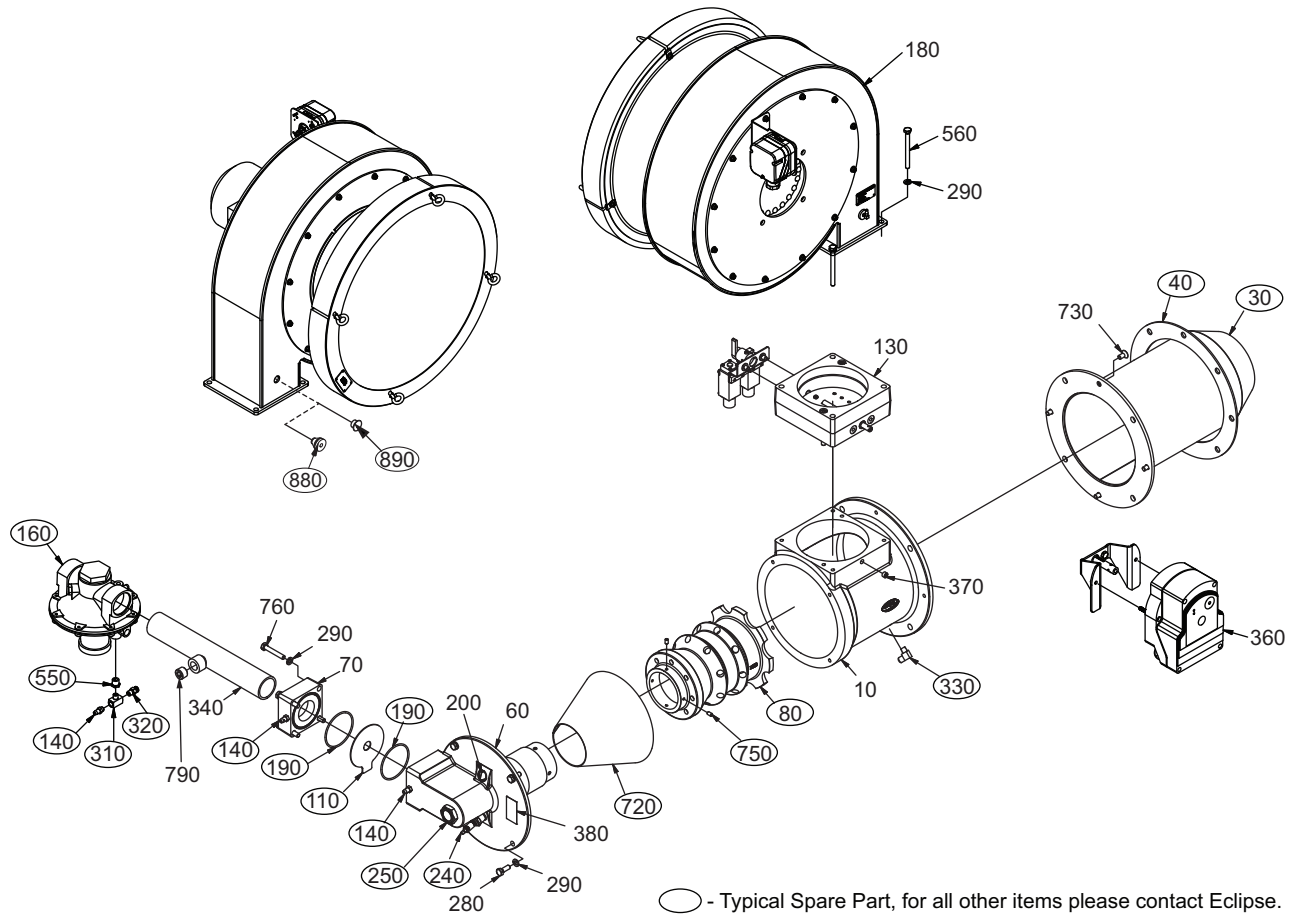


Eclipse RatioAir Burners

Model RA0300

Spare Parts List Edition 09.15

Version 3



○ - Typical Spare Part, for all other items please contact Eclipse.

Ref	Part Number	Description
30	101018	Alloy Combustor for Straight Burner
30	108721-1	Alloy Combustor for Medium Velocity Burner
30	108721	Alloy Combustor for High Velocity Burner
30	100013	Block and Holder Combustor for Straight Burner
30	187314-68	Block and Holder Combustor for Medium Velocity Burner
30	187315-68	Block and Holder Combustor for High Velocity Burner
40	10027	Burner Body to Wall Mounting Gasket
80	7038-1	Nozzle (Cast Iron)

Ref	Part Number	Description
110	14188-6	Butane Orifice Plate for Straight Burner (19.0 mm)
110	14188-9	Butane Orifice Plate for Medium Velocity Burner (20.0 mm)
110	14188-43	Butane Orifice Plate High Velocity Burner (19.5 mm)
110	14188-26	Propane Orifice Plate for Straight Burner (20.5 mm)
110	14188-16	Propane Orifice Plate for Medium Velocity Burner (21.0 mm)
110	14188-16	Propane Orifice Plate for High Velocity Burner (21.0 mm)

(Continued on next page)

Ref	Part Number	Description
110	14188-23	Natural Gas Orifice Plate for Straight Burner (25.0 mm)
110	14188-23	Natural Gas Orifice Plate for Medium Velocity Burner (25.0 mm)
110	14188-23	Natural gas Orifice Plate for High Velocity Burner (25.0 mm)
140	13445	Pressure Tap
170	KS03155152	Ratio Regulator (1-1/2" NPT)
170	KS03155146	Ratio Regulator (Rp 1.5)
190	14778	O-Ring for Gas Inlet Block (2.8" Diameter)
240	23045	Igniter
250	13225	Peepsight
310	20682	Threaded Tee Fitting for Impulse Line (Brass)
330	14689	Elbow Fitting for Plastic Impulse Line
330	1494	Elbow Fitting for Braided Stainless Steel Impulse Line and Air Pressure Switch Line
330	22085	Elbow Fitting for Stainless Steel Tubing Impulse Line
550	18503	Reducer Bushing (1/2 in. x 1/8 in. NPT)
720	10001732-1	Air Diffuser Cone
750	15885	Nozzle Mounting Set Screw
880	20606	Grommet for Air Pressure Tap
890	20605	Button Plug

Ref	Part Number	Description
N/S	34505	Plastic Air Pressure Switch Line (600 mm)
N/S	015991-02	Braided Stainless Steel Impulse Line (600 mm)
N/S	015991-03	Braided Stainless Steel Impulse Line (915 mm)
N/S	015991-05	Braided Stainless Steel Impulse Line (1520 mm)
N/S	30027	Stainless Steel Tubing Impulse Line (600 mm)
N/S	30027	Stainless Steel Tubing Impulse Line (915 mm)
N/S	30027	Stainless Steel Tubing Impulse Line (1520 mm)
N/S	34505	Plastic Impulse Line (600 mm)
N/S	34505	Plastic Impulse Line (915 mm)
N/S	34505	Plastic Impulse Line (1520 mm)
N/S	10857	Filter Element (500 mm x 500 mm x 50 mm Square)
N/S	11128	Filter Element (508 mm Diameter)
N/S	10061990	Kit, Mounting, Actuator, Size 4-5, SQM5
N/S	10061983	Kit, Mounting, Actuator, Size 4-5, Honeywell