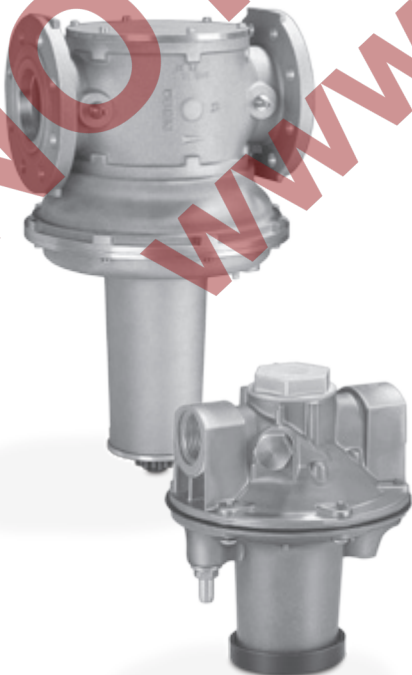


Air/gas ratio controls GK

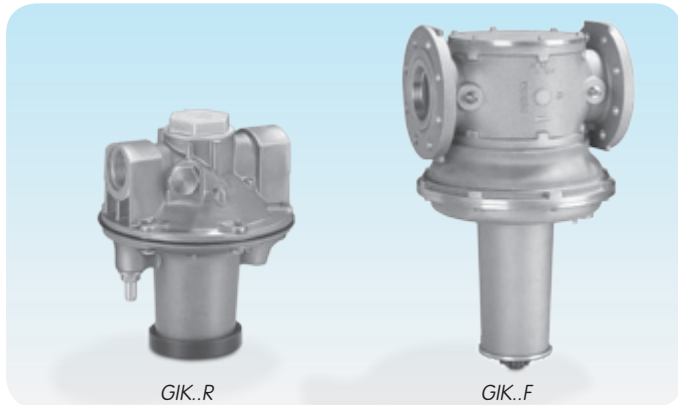
Product brochure · GB
2 Edition 07.12



- To maintain a constant gas/air mixture
- For continuous and staged burner control
- Design with inlet pressure compensation diaphragm ensures high control accuracy
- Wide control range
- EC type-tested and certified
- Certified by Gosstandart pursuant to GOST-TR



Application



Air/gas ratio controls GIK with inlet pressure compensation diaphragm and zero shut-off serve to maintain a constant gas/air ratio and to control the gas pressure upstream of gas burners in systems without preheated combustion air.

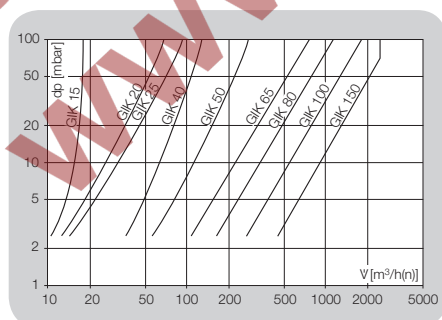
For use in gas control lines in all sectors of the iron, steel, glass and ceramics industries, as well as in commercial heat generation, such as the packaging, paper and foodstuffs industries.

Type code

Code	Description
GIK	Air/gas ratio control
15-150	Nominal size
R	Rp internal thread
F	Flange to ISO 7005
02	p_u max. 200 mbar
-5	Pressure test point at the outlet
-6	Pressure test point at the inlet and outlet
L*	For air only (without approval)
B*	Bypass screw

* If "none", this letter is omitted.

Flow rate



Technical data

Gas types: natural gas, town gas, LPG (gaseous) and biologically produced methane (max. 0.02 %-by-vol. H₂S), GIK..L also for air. The medium must be dry in all temperature conditions and must not contain condensate.

Air control pressure: 0.5 to 120 mbar.

Outlet pressure: 0.2 to 119 mbar.

Differential pressure between inlet area and outlet pressure: max. 100 mbar.

Transmission ratio: 1:1.

Control range: 1:10.

Internal thread: Rp 1 to ISO 7-1.

Flanged connection: PN 16 to ISO 7005.

Bypass screw: brass.

GIK 15 – 25:

Standard: 1.5 mm, up to 4 mm possible.

GIK 40 – 50:

Standard: 5 mm, up to 9 mm possible.

GIK 15 – 150:

Housing: AlSi.

Diaphragms: NBR.

GIK 15 – 50:

Adjusting range at low fire: -3 to +3 mbar.

Connection for control line: Rp ¼.

Ambient temperature: -20 to +60°C.

Storage temperature: -20 to +40°C.

Valve disc: plastic.

Valve disc seal: NBR.

GIK 65 – 150:

Adjusting range at low fire: -2 to +2 mbar.

Connection for control line: Rp ½.

Ambient temperature: -15 to +60°C.

Storage temperature: -15 to +40°C.

Valve disc: aluminium.

Valve disc seal: vulcanized NBR seal.

Maintenance cycles

At least once a year, twice a year in the case of biologically produced methane.



Bogie hearth furnace



Smelting furnace



Intermittent shuttle kiln

Detailed information on this product



http://docuthek.kromschroeder.com/doclib/main.php?language=1&folderid=202070&by_class=6

Contact

www.kromschroeder.com → Sales

Elster GmbH
Postfach 2809 · 49018 Osnabrück
Strothweg 1 · 49504 Lotte (Büren)
Germany
T +49 541 1214-0
F +49 541 1214-370
info@kromschroeder.com
www.kromschroeder.com

We reserve the right to make technical modifications in the interests of progress.
Copyright © 2013 Elster GmbH
All rights reserved.



elster
Kromschroeder